



Chipsmall Limited consists of a professional team with an average of over 10 year of expertise in the distribution of electronic components. Based in Hongkong, we have already established firm and mutual-benefit business relationships with customers from,Europe,America and south Asia,supplying obsolete and hard-to-find components to meet their specific needs.

With the principle of “Quality Parts,Customers Priority,Honest Operation,and Considerate Service”,our business mainly focus on the distribution of electronic components. Line cards we deal with include Microchip,ALPS,ROHM,Xilinx,Pulse,ON,Everlight and Freescale. Main products comprise IC,Modules,Potentiometer,IC Socket,Relay,Connector.Our parts cover such applications as commercial,industrial, and automotives areas.

We are looking forward to setting up business relationship with you and hope to provide you with the best service and solution. Let us make a better world for our industry!



## Contact us

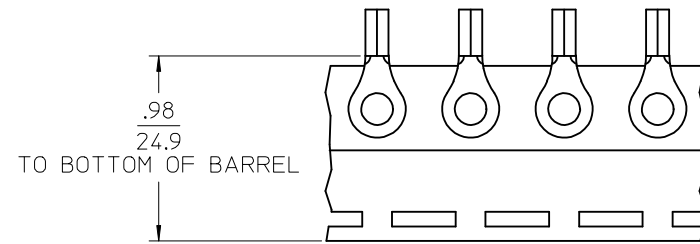
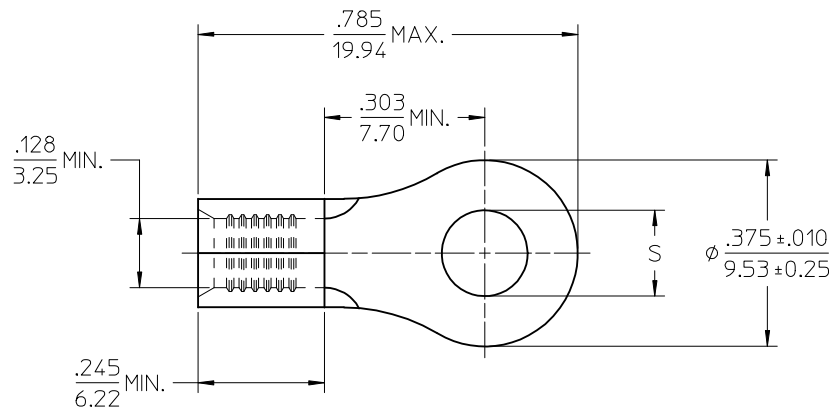
Tel: +86-755-8981 8866 Fax: +86-755-8427 6832

Email & Skype: info@chipsmall.com Web: www.chipsmall.com

Address: A1208, Overseas Decoration Building, #122 Zhenhua RD., Futian, Shenzhen, China



10	9	8	7	6	5	4	3	2	1
MATERIAL NO. LOOSE PIECE	ENG. NO.	MATERIAL NO. TAPE MOUNTED	ENG. NO.	STUD SIZE	"S" ±.005/0.13	STOCK THICKNESS	FINISH		
190690200	C-128-04	190690147	C-128-04T	4	(A1) .126/(3.20)	.040/(1.02)	SEE NOTE 2		
190690202	C-128-06	190690148	C-128-06T	6	.146/(3.71)				
190690205	C-128-08	190690208	C-128-08T	8	.173/(4.39)				
190690209	C-128-10	190690212	C-128-10T	10	.198/(5.03)				
190690215	C-128-209	---	---	209	.209/(5.18)				
192030159	C-U-128-06	192030111	C-U-128-06T	6	.146/(3.71)	.038/(0.97)	SEE NOTE 3		
192030160	C-U-128-08	192030112	C-U-128-08T	8	.173/(4.39)				
192030113	C-U-128-10	192030114	C-U-128-10T	10	.198/(5.03)				
190690682	C-128-10-AU	---	---	10	.198/(5.03)	.040/(1.02)	SEE NOTE 3		



SALES DRAWING

- NOTES:  
 1. MATERIAL: COPPER.  
 2. FINISH: TIN PLATING, 100(2.5)µin(µm) MIN  
 3. FINISH: GOLD, 50(1.25)µin(µm) MIN. OVER NICKEL, 50(1.25)µin(µm) MIN. PLATING.  
 4. WIRE SIZE: 12-10 AWG, 4.0-6.0 MM<sup>2</sup>  
 5. PARTS ARE ROHS COMPLIANT.

CORRECTED 4 STUD EC NO: IFC2017-0896 DRAWING: JAS01 2017/03/28 CHKD: JMACNEIL APPR: JMACNEIL 2017/03/30	QUALITY SYMBOLS	GENERAL TOLERANCES (UNLESS SPECIFIED)	DIMENSION STYLE	SCALE	DESIGN UNITS	THIRD ANGLE PROJECTION															
	▼=0 ▽=0	<table border="1"> <thead> <tr> <th></th> <th>mm</th> <th>INCH</th> </tr> </thead> <tbody> <tr> <td>4 PLACES</td> <td>±---</td> <td>±---</td> </tr> <tr> <td>3 PLACES</td> <td>±---</td> <td>±---</td> </tr> <tr> <td>2 PLACES</td> <td>±---</td> <td>±---</td> </tr> <tr> <td>1 PLACE</td> <td>±---</td> <td>±---</td> </tr> </tbody> </table>		mm	INCH	4 PLACES	±---	±---	3 PLACES	±---	±---	2 PLACES	±---	±---	1 PLACE	±---	±---	IN/MM	---	INCH	
		mm	INCH																		
	4 PLACES	±---	±---																		
3 PLACES	±---	±---																			
2 PLACES	±---	±---																			
1 PLACE	±---	±---																			
DESCRIPTION	DRAFT WHERE APPLICABLE MUST REMAIN WITHIN DIMENSIONS	<table border="1"> <tr> <td>DRAWN BY</td> <td>DATE</td> </tr> <tr> <td>BDEROSS</td> <td>2000/6/13</td> </tr> <tr> <td>CHECKED BY</td> <td>DATE</td> </tr> <tr> <td>JMACNEIL</td> <td>2014/10/30</td> </tr> <tr> <td>APPROVED BY</td> <td>DATE</td> </tr> <tr> <td>JMACNEIL</td> <td>2014/11/19</td> </tr> </table>	DRAWN BY	DATE	BDEROSS	2000/6/13	CHECKED BY	DATE	JMACNEIL	2014/10/30	APPROVED BY	DATE	JMACNEIL	2014/11/19	TITLE	RING TONGUE TERMINAL KRIMPTITE, 128 SERIES 12-10 AWG					
DRAWN BY	DATE																				
BDEROSS	2000/6/13																				
CHECKED BY	DATE																				
JMACNEIL	2014/10/30																				
APPROVED BY	DATE																				
JMACNEIL	2014/11/19																				
REV		MATERIAL NO.	SEE CHART	DOCUMENT NO.	MOLEX INCORPORATED																
A1		SIZE	B	SD-19069-020	SHEET NO. 1 OF 1																
THIS DRAWING CONTAINS INFORMATION THAT IS PROPRIETARY TO MOLEX INCORPORATED AND SHOULD NOT BE USED WITHOUT WRITTEN PERMISSION																					