



Chipsmall Limited consists of a professional team with an average of over 10 year of expertise in the distribution of electronic components. Based in Hongkong, we have already established firm and mutual-benefit business relationships with customers from,Europe,America and south Asia,supplying obsolete and hard-to-find components to meet their specific needs.

With the principle of “Quality Parts,Customers Priority,Honest Operation,and Considerate Service”,our business mainly focus on the distribution of electronic components. Line cards we deal with include Microchip,ALPS,ROHM,Xilinx,Pulse,ON,Everlight and Freescale. Main products comprise IC,Modules,Potentiometer,IC Socket,Relay,Connector.Our parts cover such applications as commercial,industrial, and automotives areas.

We are looking forward to setting up business relationship with you and hope to provide you with the best service and solution. Let us make a better world for our industry!



## Contact us

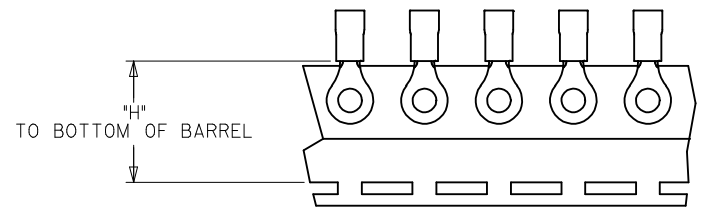
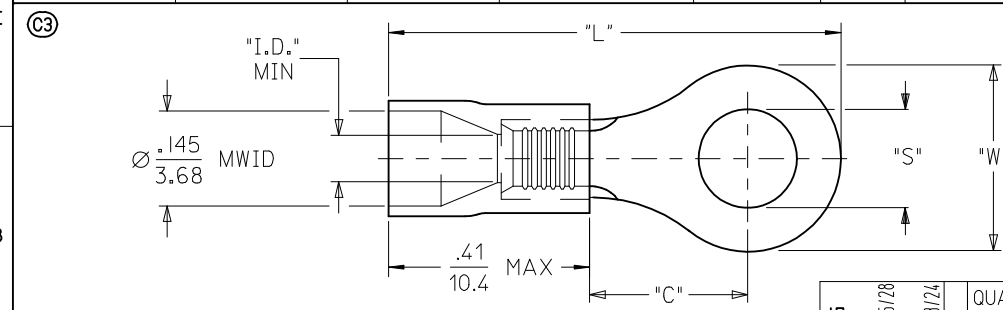
Tel: +86-755-8981 8866 Fax: +86-755-8427 6832

Email & Skype: info@chipsmall.com Web: www.chipsmall.com

Address: A1208, Overseas Decoration Building, #122 Zhenhua RD., Futian, Shenzhen, China



10		9		8		7		6		5		4		3		2		19070								
LOOSE PIECE				TAPE MOUNTED				SPECIFICATIONS																		
MATERIAL NUMBER	ALTERNATE NUMBER	MATERIAL NUMBER	ALTERNATE NUMBER	HOUSING COLOR	STUD SIZE	"S" ±.005/(0.13)	"W" MAX.	"C" MIN.	"L" MAX.	"ID" MIN.	STOCK THICKNESS REFERENCE	"H" ±.020/.051														
F	190700005	AA-220-02X	190700006	AA-220-02XT	RED	2	.094/(2.39)	.235/(6.00)	.157/(3.99)	.709/(18.01)	.062/(1.57)	.028/(0.71)														
	190700007	AA-220-04X	190700008	AA-220-04XT	RED	4	.119/(3.02)																			
	190700009	AA-220-06X	190700010	AA-220-06XT	RED	6	.146/(3.71)																			
	190700011	AA-221-06X	190700012	AA-221-06XT	RED	6	.146/(3.71)																			
	190700013	AA-221-08X	190700014	AA-221-08XT	RED	8	.173/(4.39)						.322/(8.18)	.270/(6.86)	.866/(22.00)	.062/(1.57)	.028/(0.71)	.980/(24.89)								
	190700015	AA-221-10X	190700017	AA-221-10XT	RED	10	.198/(5.03)																			
	190700019	AA-221-209X	190700020	AA-221-209XT	RED	M5	.209/(5.18)																			
E	190700021	AA-222-10X	190700022	AA-222-10T	RED	10	.198/(5.03)	.477/(12.11)	.386/(9.80)	1.060/(26.92)	.062/(1.57)	.028/(0.71)														
	190700023	AA-222-14X	190700024	AA-222-14XT	RED	14	.265/(6.73)																			
	190700608	AA-222-14X-BK	190700601	AA-222-14XT-BK	BLACK	14	.265/(6.73)																			
	190700026	AA-222-56X	190700027	AA-222-56XT	RED	5/16"	.328/(8.33)																			
	190700609	AA-222-56X-BK	190700611	AA-222-56XT-BK	BLACK	5/16"	.328/(8.33)																			
	190700029	AA-226-10X	190700030	AA-226-10XT	RED	10	.198/(5.03)						.544/(13.82)	.552/(14.02)	1.259/(31.98)	.055/(1.40)	.031/(0.79)	1.172/(29.77)								
	190700031	AA-226-14X	190700032	AA-226-14XT	RED	14	.265/(6.73)																			
D	190700036	AA-226-56X	190700037	AA-226-56XT	RED	5/16"	.328/(8.33)																			
	190700033	AA-226-38X	190700035	AA-226-38XT	RED	3/8"	.390/(9.91)																			
	190700038	AA-232-04X	190700039	AA-232-04XT	RED	4	.119/(3.02)	.264/(6.70)	.240/(6.10)	.807/(20.50)	.062/(1.57)	.028/(0.71)							.980/(24.89)							
	190700040	AA-232-06X	190700042	AA-232-06XT	RED	6	.146/(3.71)																			
	190700044	AA-232-08X	190700045	AA-232-08XT	RED	8	.173/(4.39)																			
	190700051	AA-233-10X	190700052	AA-233-10XT	RED	10	.198/(5.03)																			
	190700612	AA-233-10X-BK	190700614	AA-233-10XT-BK	BLACK	10	.198/(5.03)						.283/(7.20)	.240/(6.10)	.816/(20.73)	.062/(1.57)	.028/(0.71)									
C																										



SALES DRAWING

NOTE(S):  
 1. MATERIAL: COPPER  
 PLATING: ELECTROPLATE TIN  
 2. DELETED  
 3. INSULATION: MOLDED PVC, SEE CHART FOR COLOR  
 4. MWID=MAXIMUM WIRE INSULATION DIA.  
 5. ALL DIMENSIONS IN INCHES (MM).  
 6. PARTS ARE ROHS COMPLIANT.

ADD NEW PART #S BK HSG EC NO: IFC2015-2037 DRAWING: JAS01 2015/05/28 CHKD: JACNEILL APPR: JACNEILL 2016/03/24 REV: C3	QUALITY SYMBOLS ▽=0 ▽=0	GENERAL TOLERANCES (UNLESS SPECIFIED) <table border="1"> <tr> <th></th> <th>mm</th> <th>INCH</th> </tr> <tr> <td>4 PLACES</td> <td>± .005</td> <td>± .0005</td> </tr> <tr> <td>3 PLACES</td> <td>± .004</td> <td>± .0004</td> </tr> <tr> <td>2 PLACES</td> <td>± .003</td> <td>± .0003</td> </tr> <tr> <td>1 PLACE</td> <td>± .002</td> <td>± .0002</td> </tr> </table>		mm	INCH	4 PLACES	± .005	± .0005	3 PLACES	± .004	± .0004	2 PLACES	± .003	± .0003	1 PLACE	± .002	± .0002	DIMENSION STYLE IN/MM DRAWN BY: DMYRICK DATE: 2005/7/22 CHECKED BY: HBEITZEL DATE: 2005/7/22 APPROVED BY: RDEROSS DATE: 2005/7/22	SCALE: --- DESIGN UNITS: INCH THIRD ANGLE PROJECTION	TITLE: RING TONGUE TERMINAL INSULKRIMP, 200-SERIES 22-18 AWG MOLEX INCORPORATED DOCUMENT NO. SD-19070-003 SHEET NO. 1 OF 1
		mm	INCH																	
	4 PLACES	± .005	± .0005																	
	3 PLACES	± .004	± .0004																	
2 PLACES	± .003	± .0003																		
1 PLACE	± .002	± .0002																		
DRAFT WHERE APPLICABLE MUST REMAIN WITHIN DIMENSIONS		MATERIAL NO. SEE CHART SIZE: B	THIS DRAWING CONTAINS INFORMATION THAT IS PROPRIETARY TO MOLEX INCORPORATED AND SHOULD NOT BE USED WITHOUT WRITTEN PERMISSION																	