



Chipsmall Limited consists of a professional team with an average of over 10 year of expertise in the distribution of electronic components. Based in Hongkong, we have already established firm and mutual-benefit business relationships with customers from,Europe,America and south Asia,supplying obsolete and hard-to-find components to meet their specific needs.

With the principle of “Quality Parts,Customers Priority,Honest Operation,and Considerate Service”,our business mainly focus on the distribution of electronic components. Line cards we deal with include Microchip,ALPS,ROHM,Xilinx,Pulse,ON,Everlight and Freescale. Main products comprise IC,Modules,Potentiometer,IC Socket,Relay,Connector.Our parts cover such applications as commercial,industrial, and automotives areas.

We are looking forward to setting up business relationship with you and hope to provide you with the best service and solution. Let us make a better world for our industry!



Contact us

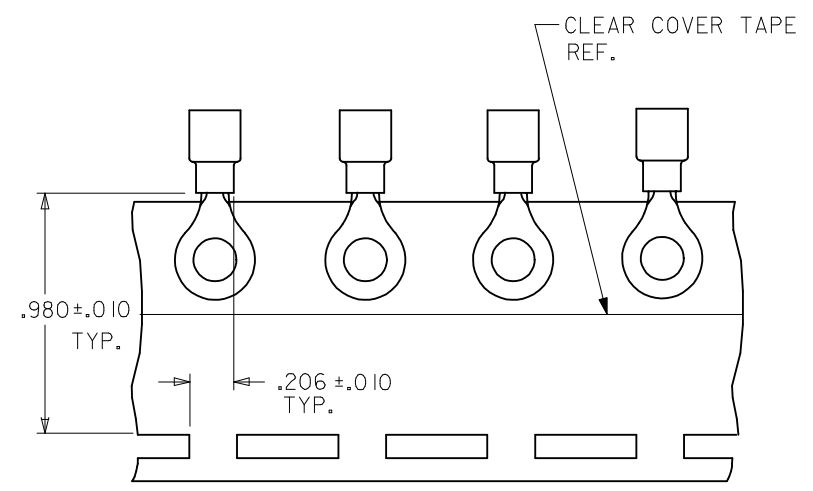
Tel: +86-755-8981 8866 Fax: +86-755-8427 6832

Email & Skype: info@chipsmall.com Web: www.chipsmall.com

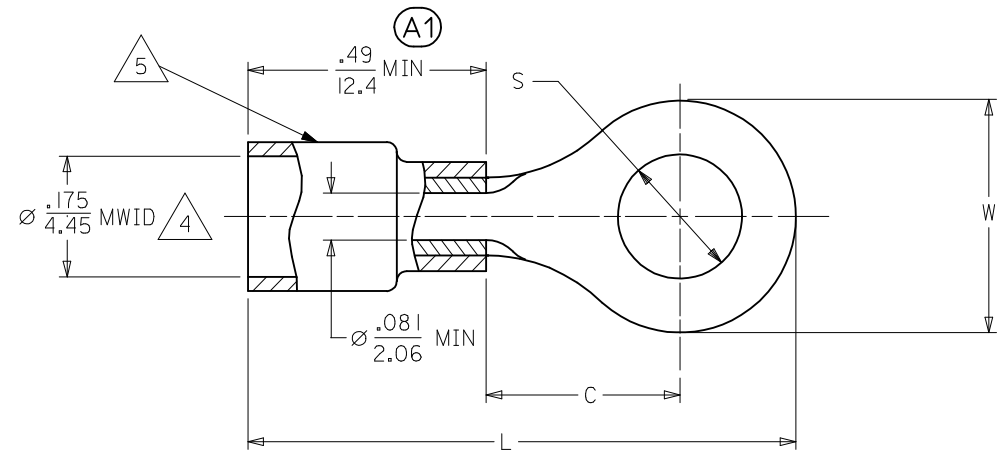
Address: A1208, Overseas Decoration Building, #122 Zhenhua RD., Futian, Shenzhen, China



MATERIAL NUMBER	ALTERNATE NUMBER	STUD SIZE	"S"	"W"	"C" MIN	"L" MAX	PACKAGING
190700268	BB-225-14XX	1/4	.265 (6.73)	.47 (11.9)	.38 (9.7)	1.13 (28.7)	LOOSE PIECE
190700269	BB-225-56XX	5/16	.328 (8.33)	.47 (11.9)	.38 (9.7)	1.13 (28.7)	
190700270	BB-237-06XX	6	.146 (3.70)	.32 (8.1)	.29 (7.4)	.96 (24.4)	
190700285	BB-237-08XX	8	.173 (4.39)	.32 (8.1)	.29 (7.4)	.96 (24.4)	
190700322	BB-237-10XX	10	.198 (5.03)	.32 (8.1)	.29 (7.4)	.96 (24.4)	
190700271	BB-239-08XX	8	.173 (4.39)	.34 (8.6)	.31 (7.9)	1.01 (25.6)	
190700105	BB-239-10XX	10	.198 (5.03)	.34 (8.6)	.31 (7.9)	1.01 (25.6)	TAPE MOUNTED
190700077	BB-225-14XXT	1/4	.265 (6.73)	.47 (11.9)	.38 (9.7)	1.13 (28.7)	
190700080	BB-225-56XXT	5/16	.328 (8.33)	.47 (11.9)	.38 (9.7)	1.13 (28.7)	
190700085	BB-237-06XXT	6	.146 (3.70)	.32 (8.1)	.29 (7.4)	.96 (24.4)	
190700089	BB-237-08XXT	8	.173 (4.39)	.32 (8.1)	.29 (7.4)	.96 (24.4)	
190700093	BB-237-10XXT	10	.198 (5.03)	.32 (8.1)	.29 (7.4)	.96 (24.4)	
190700101	BB-239-08XXT	8	.173 (4.39)	.34 (8.6)	.31 (7.9)	1.01 (25.6)	
190700106	BB-239-10XXT	10	.198 (5.03)	.34 (8.6)	.31 (7.9)	1.01 (25.6)	



PARTS ON TAPE



- NOTES:
 1. MATERIAL: 1/4 HARD COPPER
 2. PLATING: ELECTRO-TIN.
 3. ALL DIMENSIONS IN INCHES/(MM).
 4. MWID = MAXIMUM WIRE INSULATION DIAMETER.
 5. INSULATION: PVC (BLUE)
 6. PARTS ARE ROHS COMPLIANT

CHANGED MAX TO MIN
 EC NO: ICG2013-0981
 DRAWING: JAS01 2012/12/20
 CHKD: JMCNEIL 2013/01/02
 APPR: JMCNEIL 2013/01/31

QUALITY SYMBOLS
 ▽=0
 ▽=0
 A1
 REV

GENERAL TOLERANCES (UNLESS SPECIFIED)	
mm	INCH
4 PLACES ± ---	± ---
3 PLACES ± ---	± .005
2 PLACES ± 0.13	± .01
1 PLACE ± 0.25	± ---
0 PLACE ± ---	± ---

ANGULAR ±1/2°
 DRAFT WHERE APPLICABLE MUST REMAIN WITHIN DIMENSIONS

DIMENSION STYLE	
IN/MM	
DRAWN BY	DATE
HEB	2000/09/06
CHECKED BY	DATE
RWD	2000/09/06
APPROVED BY	DATE
	2013/01/31

MATERIAL NO. SEE CHART
 SIZE B

SCALE	DESIGN UNITS	THIRD ANGLE PROJECTION
---	INCH	☉

TITLE
 RING TONGUE TERMINAL
 16-14 AWG
 INSULKRIMP EXPANDED

molex

DOCUMENT NO. (A1) SD-19070-004
 SHEET NO. 1 OF 1

THIS DRAWING CONTAINS INFORMATION THAT IS PROPRIETARY TO MOLEX INCORPORATED AND SHOULD NOT BE USED WITHOUT WRITTEN PERMISSION