



Chipsmall Limited consists of a professional team with an average of over 10 year of expertise in the distribution of electronic components. Based in Hongkong, we have already established firm and mutual-benefit business relationships with customers from,Europe,America and south Asia,supplying obsolete and hard-to-find components to meet their specific needs.

With the principle of "Quality Parts,Customers Priority,Honest Operation,and Considerate Service",our business mainly focus on the distribution of electronic components. Line cards we deal with include Microchip,ALPS,ROHM,Xilinx,Pulse,ON,Everlight and Freescale. Main products comprise IC,Modules,Potentiometer,IC Socket,Relay,Connector.Our parts cover such applications as commercial,industrial, and automotives areas.

We are looking forward to setting up business relationship with you and hope to provide you with the best service and solution. Let us make a better world for our industry!



## Contact us

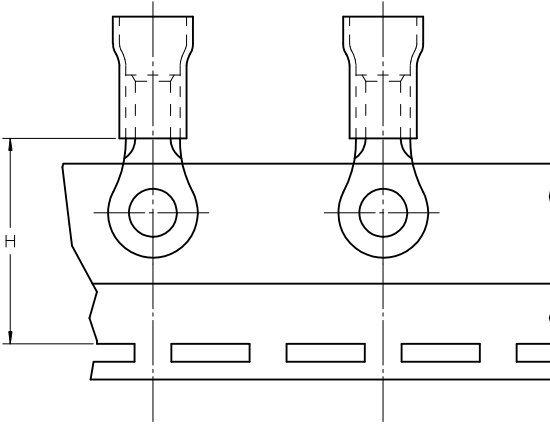
Tel: +86-755-8981 8866 Fax: +86-755-8427 6832

Email & Skype: info@chipsmall.com Web: www.chipsmall.com

Address: A1208, Overseas Decoration Building, #122 Zhenhua RD., Futian, Shenzhen, China

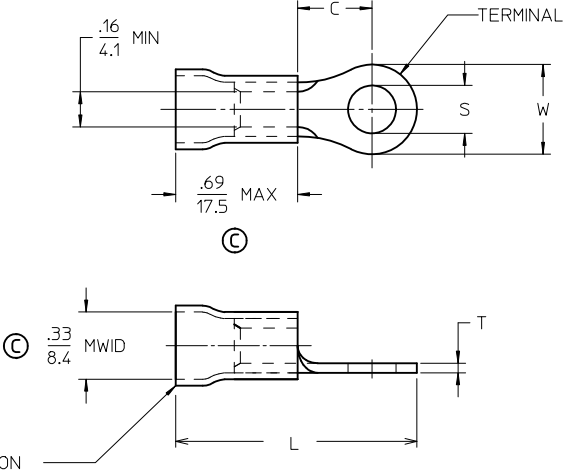


13		12		11		10		9		8		7		6		5		4		3		2		1	
LOOSE PIECE BOX				TAPE MOUNTED PARTS				STUD SIZE	ØS	W ±.012/0.30	L MAX	C MIN	T REF	H ±.02/0.5											
MATERIAL NO.	ENG. P/N	MATERIAL NO.	ENG. P/N																						
190710132	D-650-06X	190710133	D-650-06XT	6	.146/ 3.71	.468/11.89	1.31/33.3	.363/9.22	.045/1.14	1.070/27.18															
190710134	D-650-08X	190710135	D-650-08XT	8	.173/ 4.39	.468/11.89	1.31/33.3	.363/9.22	.045/1.14	1.070/27.18															
190710136	D-650-10X	190710139	D-650-10XT	10	.198/ 5.03	.468/11.89	1.31/33.3	.363/9.22	.045/1.14	1.070/27.18															
190710140	D-650-14X	190710143	D-650-14XT	1/4	.265/ 6.73	.468/11.89	1.31/33.3	.363/9.22	.045/1.14	1.070/27.18															
190710144	D-650-56X	190710145	D-650-56XT	5/16	.328/ 8.33	.468/11.89	1.31/33.3	.363/9.22	.045/1.14	1.070/27.18															
190710146	D-651-10X	-	-	10	.198/ 5.03	.583/14.81	1.43/36.3	.428/10.87	.045/1.14	-															
190710148	D-651-14X	190710149	D-651-14XT	1/4	.265/ 6.73	.583/14.81	1.43/36.3	.428/10.87	.045/1.14	1.070/27.18															
190710153	D-651-56X	190710155	D-651-56XT	5/16	.328/ 8.33	.583/14.81	1.43/36.3	.428/10.87	.045/1.14	1.070/27.18															
190710150	D-651-38X	190710152	D-651-38XT	3/8	.390/ 9.91	.583/14.81	1.43/36.3	.428/10.87	.045/1.14	1.070/27.18															
190710156	D-651-76X	-	-	7/16	.453/ 11.51	.583/14.81	1.43/36.3	.428/10.87	.045/1.14	-															
190710158	D-652-10X	-	-	10	.198/ 5.03	.810/20.57	1.73/43.9	.611/15.52	.050/1.27	-															
190710161	D-652-14X	-	-	1/4	.265/ 6.73	.810/20.57	1.73/43.9	.611/15.52	.050/1.27	-															
190710163	D-652-56X	-	-	5/16	.328/ 8.33	.810/20.57	1.73/43.9	.611/15.52	.050/1.27	-															
190710162	D-652-38X	-	-	3/8	.390/ 9.91	.810/20.57	1.73/43.9	.611/15.52	.050/1.27	-															
190710166	D-652-76X	-	-	7/16	.453/ 11.51	.810/20.57	1.73/43.9	.611/15.52	.050/1.27	-															
190710334	D-652-12X	190710160	D-652-12XT	1/2	.515/ 13.08	.810/20.57	1.73/43.9	.611/15.52	.050/1.27	1.400/35.56															
190710164	D-652-58X	-	-	5/8	.656/ 16.66	.810/20.57	1.73/43.9	.611/15.52	.050/1.27	-															
190710172	D-653-56X	-	-	5/16	.328/ 8.33	1.125/28.58	2.28/57.9	.986/25.04	.050/1.27	-															
190710171	D-653-38X	-	-	3/8	.390/ 9.91	1.125/28.58	2.28/57.9	.986/25.04	.050/1.27	-															
190710174	D-653-76X	-	-	7/16	.453/ 11.51	1.125/28.58	2.28/57.9	.986/25.04	.050/1.27	-															
190710168	D-653-12X	-	-	1/2	.515/ 13.08	1.125/28.58	2.28/57.9	.986/25.04	.050/1.27	-															
190710173	D-653-58X	-	-	5/8	.656/ 16.66	1.125/28.58	2.28/57.9	.986/25.04	.050/1.27	-															
190710170	D-653-34X	-	-	3/4	.781/ 19.84	1.125/28.58	2.28/57.9	.986/25.04	.050/1.27	-															
190710176	D-656-06X	190710177	D-656-06XT	6	.146/ 3.71	.374/9.50	1.27/32.3	.363/9.22	.045/1.14	1.070/27.18															
190710178	D-656-08X	190710179	D-656-08XT	8	.173/ 4.39	.374/9.50	1.27/32.3	.363/9.22	.045/1.14	1.070/27.18															
190710180	D-656-10X	190710181	D-656-10XT	10	.198/ 5.03	.374/9.50	1.27/32.3	.363/9.22	.045/1.14	1.070/27.18															
190710182	D-656-14X	190710184	D-656-14XT	1/4	.265/ 6.73	.374/9.50	1.27/32.3	.363/9.22	.045/1.14	1.070/27.18															



PARTS ON TAPE  
(DOUBLE-SPACED)

SALES DRAWING



REDRAWN FROM MANUAL DRAWING  
DRAWN BY JTK 1970/01/21

- NOTES:
- MATERIALS:  
TERMINAL: TIN-PLATED COPPER  
INSULATION: RED PVC
  - PARTS ARE ROHS COMPLIANT.
  - MWID = MAXIMUM WIRE INSULATION DIAMETER.

<b>REDDRAW, FLARE ID</b> EC NO: MNA2011-0440 DRAWN: ETHRODAHL 2011/03/18 CHKD: JMACNEIL 2011/03/18 APPR: JMACNEIL 2011/04/27	QUALITY SYMBOLS ▽=0 ▽=0	GENERAL TOLERANCES (UNLESS SPECIFIED)		DIMENSION STYLE <b>IN/MM</b>		SCALE <b>1:1</b>	DESIGN UNITS <b>INCH</b>	THIRD ANGLE PROJECTION			
		4 PLACES ± --- ± ---	3 PLACES ± --- ± .005	2 PLACES ± 0.13 ± .010	1 PLACE ± 0.25 ± .020	DRAWN BY ETHRODAHL	DATE 2011/03/18	TITLE <b>RING TONGUE TERMINALS 8 AWG INSULKRIMP</b>			
		ANGULAR ±1/2°		DRAFT WHERE APPLICABLE MUST REMAIN WITHIN DIMENSIONS		APPROVED BY JMACNEIL	DATE 2011/04/27	MATERIAL NO. <b>SEE CHART</b>			
						DOCUMENT NO. <b>SD-19071-002</b>		SHEET NO. <b>1 OF 1</b>			