



Chipsmall Limited consists of a professional team with an average of over 10 year of expertise in the distribution of electronic components. Based in Hongkong, we have already established firm and mutual-benefit business relationships with customers from,Europe,America and south Asia,supplying obsolete and hard-to-find components to meet their specific needs.

With the principle of “Quality Parts,Customers Priority,Honest Operation,and Considerate Service”,our business mainly focus on the distribution of electronic components. Line cards we deal with include Microchip,ALPS,ROHM,Xilinx,Pulse,ON,Everlight and Freescale. Main products comprise IC,Modules,Potentiometer,IC Socket,Relay,Connector.Our parts cover such applications as commercial,industrial, and automotives areas.

We are looking forward to setting up business relationship with you and hope to provide you with the best service and solution. Let us make a better world for our industry!



Contact us

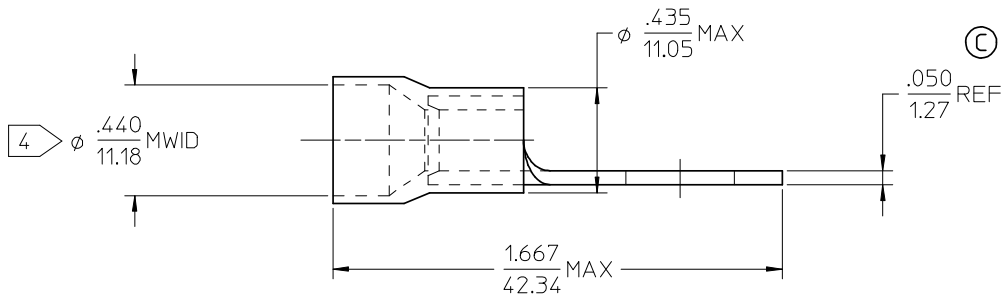
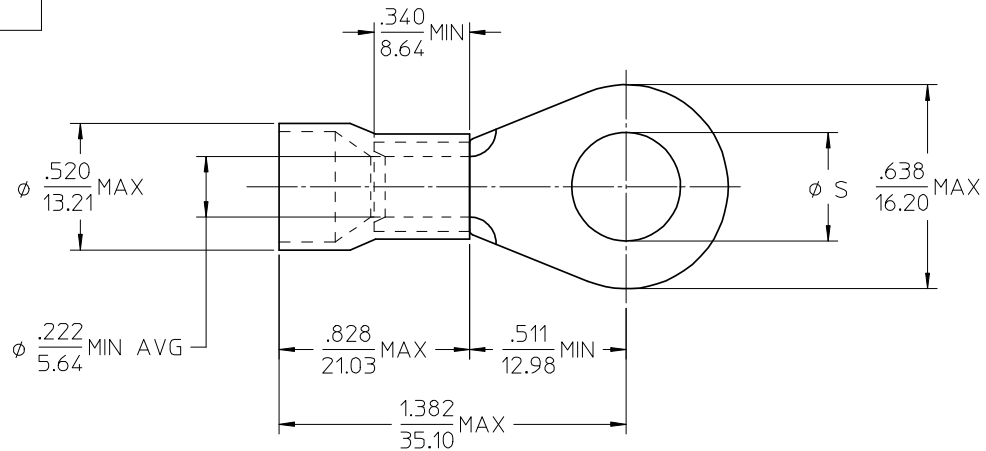
Tel: +86-755-8981 8866 Fax: +86-755-8427 6832

Email & Skype: info@chipsmall.com Web: www.chipsmall.com

Address: A1208, Overseas Decoration Building, #122 Zhenhua RD., Futian, Shenzhen, China



10	9	8	7	6	5	4	3	2	1
MATERIAL NO.	ENG. NO.	STUD SIZE	$\phi S \pm .005$						
190710185	E-657-08X	8	.173						
190710188	E-657-10X	10	.198						
190710190	E-657-14X	1/4	.256						
190710193	E-657-38X	3/8	.390						
190710196	E-657-56X	5/16	.328						



NOTE(S):

1. TERMINAL MATERIAL: COPPER ALLOY.
2. TERMINAL FINISH: ELECTRO TIN PLATE.
3. INSULATION MATERIAL: PVC, COLOR CODED BLUE.
4. MWID = MAXIMUM WIRE INSULATION DIAMETER.
5. ALL COMPONENTS ARE ROHS COMPLIANT.

REDWN & RDC MATL THKNS EC NO: ETC2007-0158 DRW: EHILE CHKD: JMACNEIL APPR: JMACNEIL	2006/10/20 2006/10/20 2006/10/20	DESCRIPTION REV	QUALITY SYMBOLS	GENERAL TOLERANCES (UNLESS SPECIFIED)	DIMENSION STYLE	SCALE	DESIGN UNITS	THIRD ANGLE PROJECTION
			$\nabla=0$	mm INCH	IN/MM	4:1	INCH	
			$\nabla E=0$	4 PLACES ± --- ± ---	DRAWN BY DATE			
				3 PLACES ± --- ± ---	EHILE 2006/10/10			
	2 PLACES ± --- ± ---	CHECKED BY DATE						
	1 PLACE ± --- ± ---	JMACNEIL 2006/10/10						
	ANGULAR ± --- °	APPROVED BY DATE						
		JMACNEIL 2006/10/10						
		MATERIAL NO.						
		SEE CHART						
		SIZE B						
		DRAFT WHERE APPLICABLE MUST REMAIN WITHIN DIMENSIONS		THIS DRAWING CONTAINS INFORMATION THAT IS PROPRIETARY TO MOLEX INCORPORATED AND SHOULD NOT BE USED WITHOUT WRITTEN PERMISSION				

RING TONGUE TERMINAL
INSULKRIMP,
657 SERIES 6 AWG

MOLEX INCORPORATED

DOCUMENT NO.
SD-19071-013

SHEET NO.
1 OF 1