



Chipsmall Limited consists of a professional team with an average of over 10 year of expertise in the distribution of electronic components. Based in Hongkong, we have already established firm and mutual-benefit business relationships with customers from,Europe,America and south Asia,supplying obsolete and hard-to-find components to meet their specific needs.

With the principle of "Quality Parts,Customers Priority,Honest Operation,and Considerate Service",our business mainly focus on the distribution of electronic components. Line cards we deal with include Microchip,ALPS,ROHM,Xilinx,Pulse,ON,Everlight and Freescale. Main products comprise IC,Modules,Potentiometer,IC Socket,Relay,Connector.Our parts cover such applications as commercial,industrial, and automotives areas.

We are looking forward to setting up business relationship with you and hope to provide you with the best service and solution. Let us make a better world for our industry!



## Contact us

Tel: +86-755-8981 8866 Fax: +86-755-8427 6832

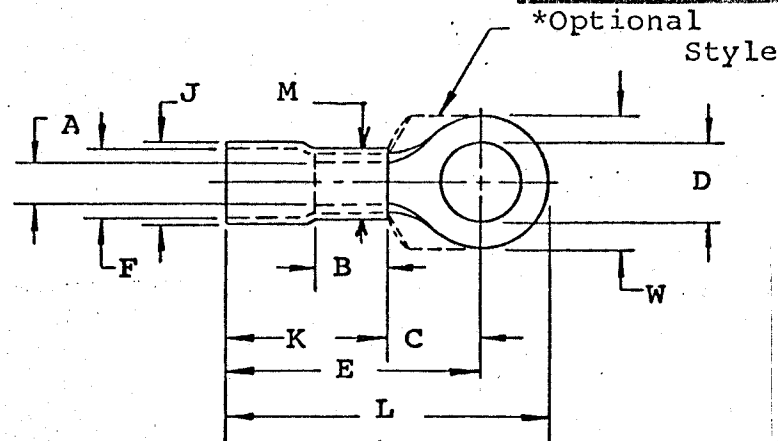
Email & Skype: info@chipsmall.com Web: www.chipsmall.com

Address: A1208, Overseas Decoration Building, #122 Zhenhua RD., Futian, Shenzhen, China



INSULKRIMP X

MATERIAL: Copper  
 PLATING: Electro-Tin (.0003 Min.)  
 INSULATION: PVC Color Coded Yellow  
 STUD SIZES: ("D" ±.005)



"M" = .545 Maximum

ASSEMBLY IS ROHS COMPLIANT.

Part Number	"W"	"C" Min.	"E" Max.	"K" Max.	"L" Max.	"A" Min. Avg.	"F" (MWID)	THICKNESS REF	"J" Max.	"B" Min.	Available Stud Size
F-666-X	.678 .652	.520	1.534	.968	1.846	.275	.515	.067	.615	.425	10, 14, 56, 38, 76, 12
F-667-X	.485 .465	.520	1.534	.968	1.756	.275	.515	.067	.615	.425	10, 14, 56
F-669-X	.895 .875	.989	2.003	.968	2.412	.275	.515	.075	.615	.425	14, 56, 38, 76, 12, 58
F-670-X	1.270 1.250	.989	2.003	.968	2.599	.275	.515	.075	.615	.425	14, 56, 38, 76, 12, 58, 34

NOTE: (MWID) denotes maximum wire insulation diameter.



TITLE: CUSTOMER DRAWING  
 #4 WIRE-RANGE (F)  
 RING TONGUE TERMINAL

DIMENSIONAL TOLERANCE UNLESS OTHERWISE SPECIFIED		
FRAC.	DEC.	ANG.
±	±	±

REVISION		SCALE: _____	DATE
A	ETC2007-0019	DRWN. BY: JTK	1-21-70
		CHKD. BY:	
		APPRD. BY:	
		DRAWING NO.:	