



Chipsmall Limited consists of a professional team with an average of over 10 year of expertise in the distribution of electronic components. Based in Hongkong, we have already established firm and mutual-benefit business relationships with customers from,Europe,America and south Asia,supplying obsolete and hard-to-find components to meet their specific needs.

With the principle of “Quality Parts,Customers Priority,Honest Operation,and Considerate Service”,our business mainly focus on the distribution of electronic components. Line cards we deal with include Microchip,ALPS,ROHM,Xilinx,Pulse,ON,Everlight and Freescale. Main products comprise IC,Modules,Potentiometer,IC Socket,Relay,Connector.Our parts cover such applications as commercial,industrial, and automotives areas.

We are looking forward to setting up business relationship with you and hope to provide you with the best service and solution. Let us make a better world for our industry!



## Contact us

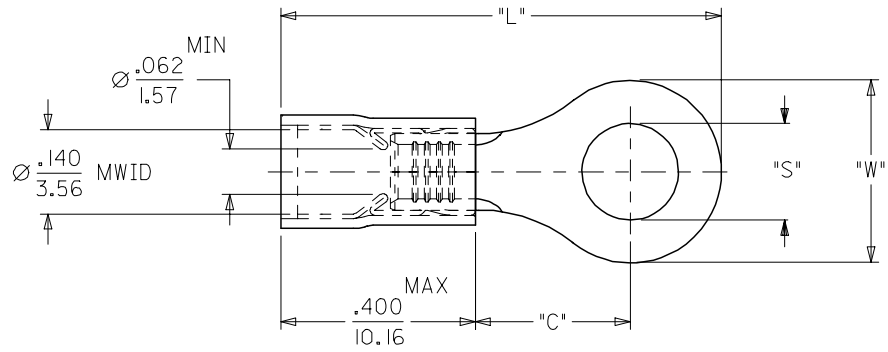
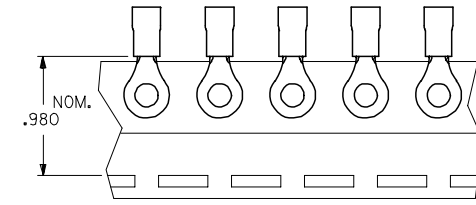
Tel: +86-755-8981 8866 Fax: +86-755-8427 6832

Email & Skype: info@chipsmall.com Web: www.chipsmall.com

Address: A1208, Overseas Decoration Building, #122 Zhenhua RD., Futian, Shenzhen, China



MATERIAL NUMBER	ALTERNATE NUMBER	STUD SIZE	"S"	"W"	Ⓢ "C" MIN	Ⓢ "L" MAX	PACKAGING
190730005	AA-820-02	2	.094/(2.38)	.23(5.7)	.16(4.0)	.71(18.0)	LOOSE PIECE
190730007	AA-820-04	4	.119/(3.02)	.23(5.7)	.16(4.0)	.71(18.0)	
190730009	AA-820-06	6	.146/(3.71)	.23(5.7)	.16(4.0)	.71(18.0)	
190730011	AA-821-06	6	.146/(3.71)	.31(7.9)	.27(6.9)	.87(22.0)	
190730013	AA-821-08	8	.173/(4.39)	.31(7.9)	.27(6.9)	.87(22.0)	
190730017	AA-821-10	10	.198/(5.03)	.31(7.9)	.27(6.9)	.87(22.0)	TAPE MOUNTED
190730020	AA-821-209	5MM	.209/(5.30)	.31(7.9)	.27(6.9)	.87(22.0)	
190730006	AA-820-02T	2	.094/(2.38)	.23(5.7)	.16(4.0)	.71(18.0)	
190730008	AA-820-04T	4	.119/(3.02)	.23(5.7)	.16(4.0)	.71(18.0)	
190730010	AA-820-06T	6	.146/(3.71)	.23(5.7)	.16(4.0)	.71(18.0)	
190730012	AA-821-06T	6	.146/(3.71)	.31(7.9)	.27(6.9)	.87(22.0)	
190730015	AA-821-08T	8	.173/(4.39)	.31(7.9)	.27(6.9)	.87(22.0)	
190730019	AA-821-10T	10	.198/(5.03)	.31(7.9)	.27(6.9)	.87(22.0)	
190730021	AA-821-209T	5MM	.209/(5.30)	.31(7.9)	.27(6.9)	.87(22.0)	



- NOTES:  
 1. MATERIAL: COPPER  
 PLATING: ELECTROPLATE TIN  
 2. FERRULE: TIN-PLATED BRASS  
 3. INSULATION: RED NYLON 94V2.  
 4. MWID=MAXIMUM WIRE INSULATION DIA.  
 5. ALL DIMENSIONS IN INCHES/(MM).  
 6. ASSEMBLY IS ROHS COMPLIANT.

REV	DESCRIPTION
1	REV CHART DIM. C & L
2	EC NO: ETC2007-0223
3	DRW: JHEHLE 2006/12/04
4	CHKD: JMACNEIL 2006/12/04
5	APPR: JMACNEIL 2006/12/06

QUALITY SYMBOLS
▽=0
▽=0

GENERAL TOLERANCES (UNLESS SPECIFIED)	
	INCH
4 PLACES	± .005
3 PLACES	± .005
2 PLACES	± .01
1 PLACE	± .025
ANGULAR ±1/2°	
DRAFT WHERE APPLICABLE MUST REMAIN WITHIN DIMENSIONS	

DIMENSION STYLE	
IN/MM	
DRAWN BY	DATE
HEB	2000/09/08
CHECKED BY	DATE
RWD	2000/09/08
APPROVED BY	DATE
RWD	2000/09/08
MATERIAL NO.	SEE CHART

SCALE	DESIGN UNITS	THIRD ANGLE PROJECTION
4:1	INCH	
TITLE		
RING TONGUE TERMINAL AVIKRIMP 800 SERIES		
MOLEX INCORPORATED		
MATERIAL NO.	DOCUMENT NO.	SHEET NO.
SEE CHART	SD-19073-002	1 OF 1
THIS DRAWING CONTAINS INFORMATION THAT IS PROPRIETARY TO MOLEX INCORPORATED AND SHOULD NOT BE USED WITHOUT WRITTEN PERMISSION		