



Chipsmall Limited consists of a professional team with an average of over 10 year of expertise in the distribution of electronic components. Based in Hongkong, we have already established firm and mutual-benefit business relationships with customers from,Europe,America and south Asia,supplying obsolete and hard-to-find components to meet their specific needs.

With the principle of “Quality Parts,Customers Priority,Honest Operation,and Considerate Service”,our business mainly focus on the distribution of electronic components. Line cards we deal with include Microchip,ALPS,ROHM,Xilinx,Pulse,ON,Everlight and Freescale. Main products comprise IC,Modules,Potentiometer,IC Socket,Relay,Connector.Our parts cover such applications as commercial,industrial, and automotives areas.

We are looking forward to setting up business relationship with you and hope to provide you with the best service and solution. Let us make a better world for our industry!



## Contact us

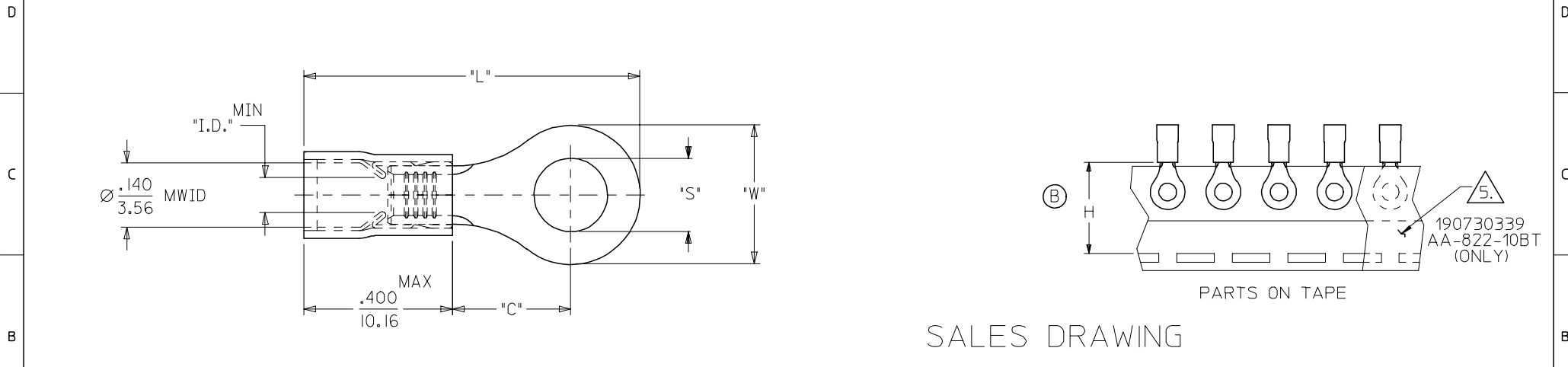
Tel: +86-755-8981 8866 Fax: +86-755-8427 6832

Email & Skype: info@chipsmall.com Web: www.chipsmall.com

Address: A1208, Overseas Decoration Building, #122 Zhenhua RD., Futian, Shenzhen, China



MATERIAL NUMBER	ALTERNATE NUMBER	STUD SIZE	"S"	"W"	"C"	"L"	"I.D."	H ±.010/0.25	PACKAGING
190730022	AA-822-10	10	.198(5.03)	.47(11.9)	.39(9.8)	1.06(26.9)	.062(1.57)	N/A	LOOSE PIECE
190730024	AA-822-14	1/4	.265(6.73)	.47(11.9)	.39(9.8)	1.06(26.9)	.062(1.57)		
190730027	AA-822-56	5/16	.328(8.33)	.47(11.9)	.39(9.8)	1.06(26.9)	.062(1.57)		
190730029	AA-826-10	10	.198(5.03)	.54(13.6)	.55(14.0)	1.26(32.0)	.054(1.37)		
190730030	AA-826-14	1/4	.265(6.73)	.54(13.6)	.55(14.0)	1.26(32.0)	.054(1.37)		
190730032	AA-826-38	3/8	.390(9.91)	.54(13.6)	.55(14.0)	1.26(32.0)	.054(1.37)		
190730034	AA-826-56	5/16	.328(8.33)	.54(13.6)	.55(14.0)	1.26(32.0)	.054(1.37)	TAPE MOUNTED	
190730023	AA-822-10T	10	.198(5.03)	.47(11.9)	.39(9.8)	1.06(26.9)	.062(1.57)		
190730339	AA-822-10BT	10	.198(5.03)	.47(11.9)	.39(9.8)	1.06(26.9)	.062(1.57)		
190730026	AA-822-14T	1/4	.265(6.73)	.47(11.9)	.39(9.8)	1.06(26.9)	.062(1.57)		
190730028	AA-822-56T	5/16	.328(8.33)	.47(11.9)	.39(9.8)	1.06(26.9)	.062(1.57)		
190730319	AA-826-10T	10	.198(5.03)	.54(13.6)	.55(14.0)	1.26(32.0)	.054(1.37)		
190730031	AA-826-14T	1/4	.265(6.73)	.54(13.6)	.55(14.0)	1.26(32.0)	.054(1.37)		
190730033	AA-826-38T	3/8	.390(9.91)	.54(13.6)	.55(14.0)	1.26(32.0)	.054(1.37)		
190730035	AA-826-56T	5/16	.328(8.33)	.54(13.6)	.55(14.0)	1.26(32.0)	.054(1.37)		



SALES DRAWING

NOTES:  
 1. MATERIAL: COPPER  
 PLATING: ELECTROPLATE TIN  
 2. FERRULE: TIN-PLATED BRASS  
 3. INSULATION: RED NYLON  
 4. MWID=MAXIMUM WIRE INSULATION DIA.  
 5. INTERLEAF PAPER (191660010, 24613) IS REQUIRED ON 190730339, AA-822-10BT REELS.

ADDED 190730339 EC NO: ETC2005-0137 DRW/BENDERLE 2005/02/15 CHK/DK/DEROSS 2005/02/15 APPR:RDEROSS 2005/02/15	QUALITY SYMBOLS	GENERAL TOLERANCES (UNLESS SPECIFIED)	DIMENSION STYLE IN/MM	SCALE NONE	DESIGN UNITS INCH	THIRD ANGLE PROJECTION
	▽=0 ▽=0	4 PLACES ± --- ± --- 3 PLACES ± --- ± --- 2 PLACES ± --- ± --- 1 PLACE ± --- ± --- ANGULAR ± ---°	DRAWN BY DATE HEB 2000/09/08 CHECKED BY DATE RWD 2000/09/08 APPROVED BY DATE RWD 2000/09/08	TITLE	RING TONGUE TERMINAL 22-18 AVIKRIMP, 800-SERIES	
	DRAFT WHERE APPLICABLE MUST REMAIN WITHIN DIMENSIONS	MATERIAL NO. SEE CHART	DOCUMENT NO. SD-19073-003	MOLEX INCORPORATED		
	SIZE B	THIS DRAWING CONTAINS INFORMATION THAT IS PROPRIETARY TO MOLEX INCORPORATED AND SHOULD NOT BE USED WITHOUT WRITTEN PERMISSION			SHEET NO. 1 OF 1	