



Chipsmall Limited consists of a professional team with an average of over 10 year of expertise in the distribution of electronic components. Based in Hongkong, we have already established firm and mutual-benefit business relationships with customers from,Europe,America and south Asia,supplying obsolete and hard-to-find components to meet their specific needs.

With the principle of "Quality Parts,Customers Priority,Honest Operation,and Considerate Service",our business mainly focus on the distribution of electronic components. Line cards we deal with include Microchip,ALPS,ROHM,Xilinx,Pulse,ON,Everlight and Freescale. Main products comprise IC,Modules,Potentiometer,IC Socket,Relay,Connector.Our parts cover such applications as commercial,industrial, and automotives areas.

We are looking forward to setting up business relationship with you and hope to provide you with the best service and solution. Let us make a better world for our industry!



Contact us

Tel: +86-755-8981 8866 Fax: +86-755-8427 6832

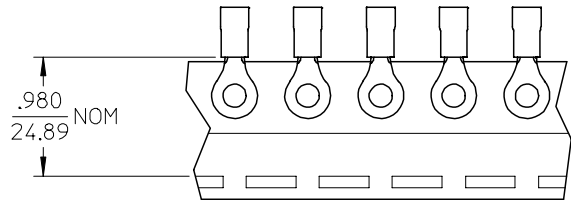
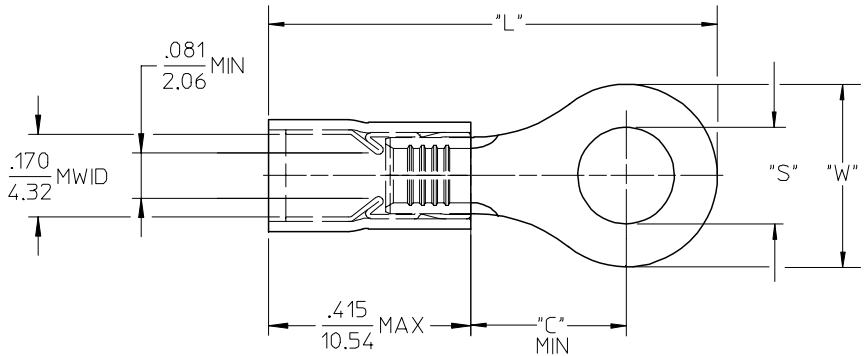
Email & Skype: info@chipsmall.com Web: www.chipsmall.com

Address: A1208, Overseas Decoration Building, #122 Zhenhua RD., Futian, Shenzhen, China



19073

| MATERIAL NUMBER | ENG. NO. | MATERIAL NUMBER TAPE MOUNTED | ENG. NO. | STUD SIZE | "S" ±.005 | "W" MAX | "C" MIN | "L" MAX |
|-----------------|-----------|------------------------------|------------|-----------|-------------|--------------|--------------|---------------|
| 190730301 | BB-818-14 | 190730058 | BB-818-14T | 14 | .265 (6.73) | .544 (13.82) | .554 (14.07) | 1.225 (31.12) |
| 190730059 | BB-818-38 | 190730060 | BB-818-38T | 38 | .390 (9.91) | | | |
| 190730061 | BB-818-56 | 190730062 | BB-818-56T | 56 | .328 (8.33) | | | |
| 190730065 | BB-823-04 | 190730066 | BB-823-04T | 04 | .119 (3.02) | .270 (6.86) | .209 (5.31) | .770 (20.32) |
| 190730067 | BB-823-06 | 190730070 | BB-823-06T | 06 | .146 (3.71) | | | |
| 190730072 | BB-823-08 | 190730073 | BB-823-08T | 08 | .173 (4.39) | | | |
| 190730074 | BB-825-10 | 190730075 | BB-825-10T | 10 | .198 (5.03) | .477 (12.12) | .388 (9.86) | 1.077 (27.36) |
| 190730076 | BB-825-14 | 190730077 | BB-825-14T | 14 | .265 (6.73) | | | |
| 190730079 | BB-825-56 | 190730080 | BB-825-56T | 56 | .328 (8.33) | | | |



SALES DRAWING

- NOTES:
1. MATERIAL: COPPER (.031/0.79) THICK PLATING: ELECTROPLATE TIN
 2. FERRULE: TIN-PLATED BRASS
 3. INSULATION: BLUE NYLON
 4. MWID=MAXIMUM WIRE INSULATION DIA.
 5. ALL DIMENSIONS IN INCHES (MM).
 6. WIRE SIZE: 16-14 AWG
1.0-2.5 MM²

| | | | | | | | | | |
|---|-------------------------------|---------------------------------------|---|-----------------------|--------------------|------------------------|---|---|--|
| EC NO: ETC2004-0167 DRWN:DMYRICK 2004/03/31 CHKD:HBEITZEL 2004/04/01 APPR:RDEROSS 2004/04/01 | QUALITY SYMBOLS | GENERAL TOLERANCES (UNLESS SPECIFIED) | | SCALE 4:1 | DESIGN UNITS INCH | THIRD ANGLE PROJECTION | REVISE ON CAD ONLY | | |
| | DESCRIPTION ▼ = 0 ▽ = 0 | mm | INCH | DIMENSION STYLE IN/MM | | TITLE | | | |
| | | 4 PLACES | ± --- | ± --- | DRAWN BY DATE | | RING TONGUE TERMINAL AVIKRIMP, 800-SERIES 16-14 AWG | | |
| | | 3 PLACES | ± --- | ± .005 | DMYRICK 03/12/15 | | | | |
| 2 PLACES | ± 0.13 | ± .01 | CHECKED BY DATE | | MOLEX INCORPORATED | | | | |
| 1 PLACE | ± 0.25 | ± --- | HBEITZEL 03/12/15 | | | | | | |
| | ANGULAR ± 1 ° | | APPROVED BY DATE | | MATERIAL NO. | DOCUMENT NO. | SHEET NO. | | |
| | DRAFT WHERE APPLICABLE | | RDEROSS 03/12/15 | | SEE CHART | SD-19073-005 | 1 OF 1 | | |
| | MUST REMAIN WITHIN DIMENSIONS | | THIS DRAWING CONTAINS INFORMATION THAT IS PROPRIETARY TO MOLEX INCORPORATED AND SHOULD NOT BE USED WITHOUT WRITTEN PERMISSION | | | | | B | |