



Chipsmall Limited consists of a professional team with an average of over 10 year of expertise in the distribution of electronic components. Based in Hongkong, we have already established firm and mutual-benefit business relationships with customers from,Europe,America and south Asia,supplying obsolete and hard-to-find components to meet their specific needs.

With the principle of "Quality Parts,Customers Priority,Honest Operation,and Considerate Service",our business mainly focus on the distribution of electronic components. Line cards we deal with include Microchip,ALPS,ROHM,Xilinx,Pulse,ON,Everlight and Freescale. Main products comprise IC,Modules,Potentiometer,IC Socket,Relay,Connector.Our parts cover such applications as commercial,industrial, and automotives areas.

We are looking forward to setting up business relationship with you and hope to provide you with the best service and solution. Let us make a better world for our industry!



Contact us

Tel: +86-755-8981 8866 Fax: +86-755-8427 6832

Email & Skype: info@chipsmall.com Web: www.chipsmall.com

Address: A1208, Overseas Decoration Building, #122 Zhenhua RD., Futian, Shenzhen, China



NOTES:

- ① MAT'L: COPPER (STOCK TKN. $\frac{.040}{1.02}^{+0.001}$)
PLATING: ELECTRO TIN (.0003 MIN)
- ② TIN-PLATED BRASS FUNNEL FERRULE
- ③ NYLON INSULATION (COLOR CODED YELLOW)

STUD SIZES: ($\pm .005$)

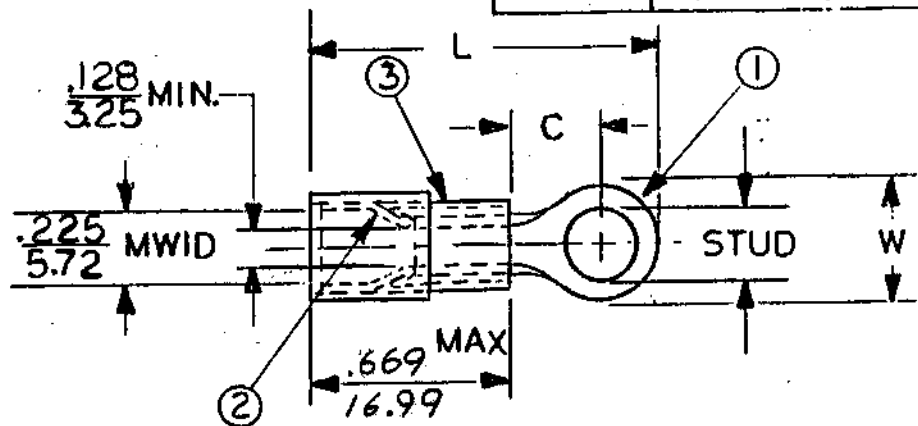
02 = .094	413 = .413
04 = .119	
06 = .146	
08 = .173	
10 = .198	
14 = .265	
56 = .328	
38 = .390	
209 = .209	

"UL" LISTING # E32244
"CSA" LISTING # 18689

WIRE SIZE: 12 - 10 AWG
4.0 - 6.0 MM²

ALL DIMENSIONS = $\frac{\text{INCHES}}{\text{MM}}$

(MWID) = DENOTES MAXIMUM WIRE INSULATION DIAMETER



FILE NO. C-CD-501-01

PART NUMBER	"W" ±.010	"C" MIN.	"L" MAX.	AVAILABLE STUD SIZES
C-501-	$\frac{.750}{19.05}$	$\frac{.611}{15.52}$	$\frac{1.700}{43.18}$	14, 56, 38, 76, 12
C-528-	$\frac{.375}{9.53}$	$\frac{.303}{7.70}$	$\frac{1.205}{30.61}$	04, 06, 08, 10, 209
C-530-	$\frac{.530}{13.46}$	$\frac{.393}{9.98}$	$\frac{1.372}{34.85}$	10, 14, 56, 38
C-536-	$\frac{.282}{7.16}$	$\frac{.306}{7.77}$	$\frac{1.161}{29.49}$	04, 06, 08
C-540-	$\frac{.592}{15.04}$	$\frac{.466}{11.84}$	$\frac{1.476}{37.49}$	10, 14, 56, 38, 209, 413

DIMENSIONAL TOLERANCES UNLESS OTHERWISE SPECIFIED		
FRAC.	DEC.	ANG.
±	±	±

REFERENCE	SCALE: NTS	DATE
REV A DEN 1030 REM 1/6/94	DRWN. BY: JJ	11-15-84
	CHKD. BY: GZ	11-26-84
	APPRD. BY:	

TITLE:
RING TONGUE
TERMINAL
AVIKRIMP
500-SERIES

ETC molex
INCORPORATED

DWG. NO. **A** CUSTOMER DWG