



Chipsmall Limited consists of a professional team with an average of over 10 year of expertise in the distribution of electronic components. Based in Hongkong, we have already established firm and mutual-benefit business relationships with customers from,Europe,America and south Asia,supplying obsolete and hard-to-find components to meet their specific needs.

With the principle of “Quality Parts,Customers Priority,Honest Operation,and Considerate Service”,our business mainly focus on the distribution of electronic components. Line cards we deal with include Microchip,ALPS,ROHM,Xilinx,Pulse,ON,Everlight and Freescale. Main products comprise IC,Modules,Potentiometer,IC Socket,Relay,Connector.Our parts cover such applications as commercial,industrial, and automotives areas.

We are looking forward to setting up business relationship with you and hope to provide you with the best service and solution. Let us make a better world for our industry!



## Contact us

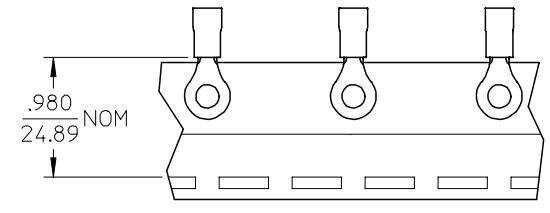
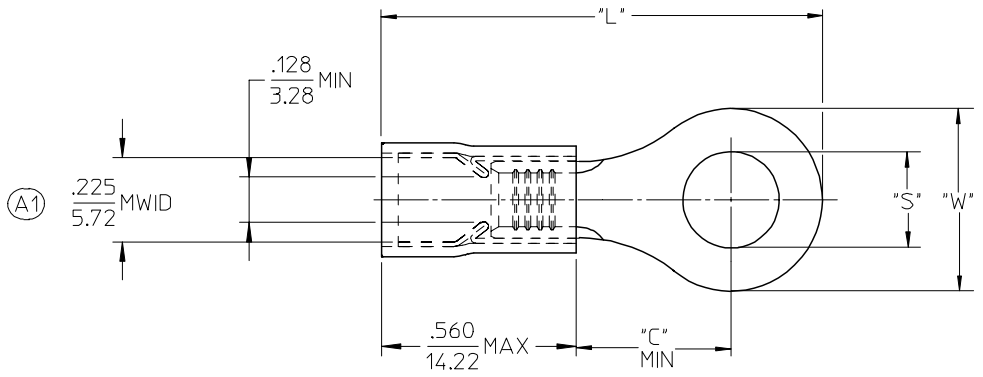
Tel: +86-755-8981 8866 Fax: +86-755-8427 6832

Email & Skype: info@chipsmall.com Web: www.chipsmall.com

Address: A1208, Overseas Decoration Building, #122 Zhenhua RD., Futian, Shenzhen, China



| MATERIAL NUMBER | ENG. NO. | MATERIAL NUMBER TAPE MOUNTED | ENG. NO.  | STUD SIZE | "S" ±.005    | "W" MAX      | "C" MIN      | "L" MAX       |
|-----------------|----------|------------------------------|-----------|-----------|--------------|--------------|--------------|---------------|
| 190730145       | C-801-12 | 190730146                    | C-801-12T | 12        | .515 (13.08) | .760 (19.30) | .611 (15.52) | 1.580 (40.13) |
| 190730148       | C-801-14 | -----                        | -----     | 14        | .265 (6.73)  |              |              |               |
| 190730150       | C-801-38 | -----                        | -----     | 38        | .390 (9.91)  |              |              |               |
| 190730152       | C-801-56 | -----                        | -----     | 56        | .328 (8.33)  |              |              |               |
| 190730154       | C-801-76 | -----                        | -----     | 76        | .453 (11.51) |              |              |               |
| 190730156       | C-828-04 | 190730157                    | C-828-04T | 04        | .119 (3.02)  | .385 (9.78)  | .303 (7.70)  | 1.091 (27.71) |
| 190730160       | C-828-06 | 190730162                    | C-828-06T | 06        | .146 (3.71)  |              |              |               |
| 190730165       | C-828-08 | 190730167                    | C-828-08T | 08        | .173 (4.39)  |              |              |               |
| 190730170       | C-828-10 | 190730172                    | C-828-10T | 10        | .198 (5.03)  |              |              |               |
| 190730175       | C-828-14 | -----                        | -----     | 14        | .265 (6.73)  |              |              |               |



SALES DRAWING

- NOTES:
- MATERIAL: COPPER (.040/1.02) THICK. PLATING: ELECTROPLATE TIN
  - FERRULE: TIN PLATED BRASS
  - INSULATION: YELLOW NYLON
  - MWID=MAXIMUM WIRE INSULATION DIA.
  - ALL DIMENSIONS IN INCHES (MM).
  - WIRE SIZE: 12-10 AWG  
4.0-6.0 MM<sup>2</sup>

| EC NO: ETC2006-0152<br>DRWN: ASAYDEH 2005/12/12<br>CHKD: JLOMASTR 2005/12/13<br>APPR: RDEROSS 2005/12/14 | QUALITY SYMBOLS   | GENERAL TOLERANCES (UNLESS SPECIFIED)  | SCALE 4:1           | DESIGN UNITS INCH | THIRD ANGLE PROJECTION | REVISE ON CAD ONLY        |       |       |          |       |        |          |        |       |         |        |       |                       |       |   |  |
|--|---|--|---------------------|-------------------|------------------------|---------------------------|-------|-------|----------|-------|--------|----------|--------|-------|---------|--------|-------|-----------------------|-------|---|--|
|  | DESCRIPTION<br>▽ - 0<br>▽ - 0   | <table border="1"> <thead> <tr> <th></th> <th>mm</th> <th>INCH</th> </tr> </thead> <tbody> <tr> <td>4 PLACES</td> <td>± ---</td> <td>± ---</td> </tr> <tr> <td>3 PLACES</td> <td>± ---</td> <td>± .005</td> </tr> <tr> <td>2 PLACES</td> <td>± 0.13</td> <td>± .01</td> </tr> <tr> <td>1 PLACE</td> <td>± 0.25</td> <td>± ---</td> </tr> </tbody> </table> |                     | mm                | INCH                   | 4 PLACES                  | ± --- | ± --- | 3 PLACES | ± --- | ± .005 | 2 PLACES | ± 0.13 | ± .01 | 1 PLACE | ± 0.25 | ± --- | DIMENSION STYLE IN/MM | TITLE | RING TONGUE TERMINAL AVIKRIMP, 800-SERIES 12-10 AWG |  |
|  |   |  | mm                  | INCH              |                        |                           |       |       |          |       |        |          |        |       |         |        |       |                       |       |   |  |
|  |   | 4 PLACES   | ± ---               | ± ---             |                        |                           |       |       |          |       |        |          |        |       |         |        |       |                       |       |   |  |
| 3 PLACES   | ± ---   | ± .005   |                     |                   |                        |                           |       |       |          |       |        |          |        |       |         |        |       |                       |       |   |  |
| 2 PLACES   | ± 0.13  | ± .01  |                     |                   |                        |                           |       |       |          |       |        |          |        |       |         |        |       |                       |       |   |  |
| 1 PLACE  | ± 0.25  | ± ---  |                     |                   |                        |                           |       |       |          |       |        |          |        |       |         |        |       |                       |       |   |  |
| DRAFT WHERE APPLICABLE MUST REMAIN WITHIN DIMENSIONS   | APPROVED BY RDEROSS   | DATE 03/12/15  | CHECKED BY SBEITZEL | DATE 03/12/15     | MATERIAL NO. SEE CHART | DOCUMENT NO. SD-19073-007 |       |       |          |       |        |          |        |       |         |        |       |                       |       |   |  |
| REV A1   | THIS DRAWING CONTAINS INFORMATION THAT IS PROPRIETARY TO MOLEX INCORPORATED AND SHOULD NOT BE USED WITHOUT WRITTEN PERMISSION |  |                     |                   |                        | SHEET NO. 1 OF 1          |       |       |          |       |        |          |        |       |         |        |       |                       |       |   |  |