



Chipsmall Limited consists of a professional team with an average of over 10 year of expertise in the distribution of electronic components. Based in Hongkong, we have already established firm and mutual-benefit business relationships with customers from,Europe,America and south Asia,supplying obsolete and hard-to-find components to meet their specific needs.

With the principle of “Quality Parts,Customers Priority,Honest Operation,and Considerate Service”,our business mainly focus on the distribution of electronic components. Line cards we deal with include Microchip,ALPS,ROHM,Xilinx,Pulse,ON,Everlight and Freescale. Main products comprise IC,Modules,Potentiometer,IC Socket,Relay,Connector.Our parts cover such applications as commercial,industrial, and automotives areas.

We are looking forward to setting up business relationship with you and hope to provide you with the best service and solution. Let us make a better world for our industry!



## Contact us

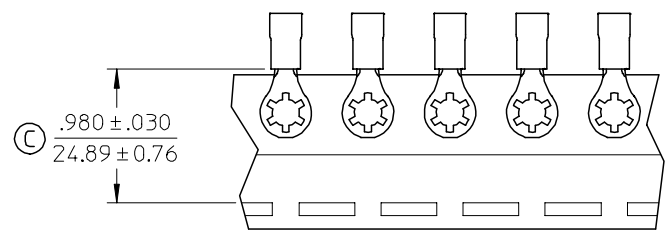
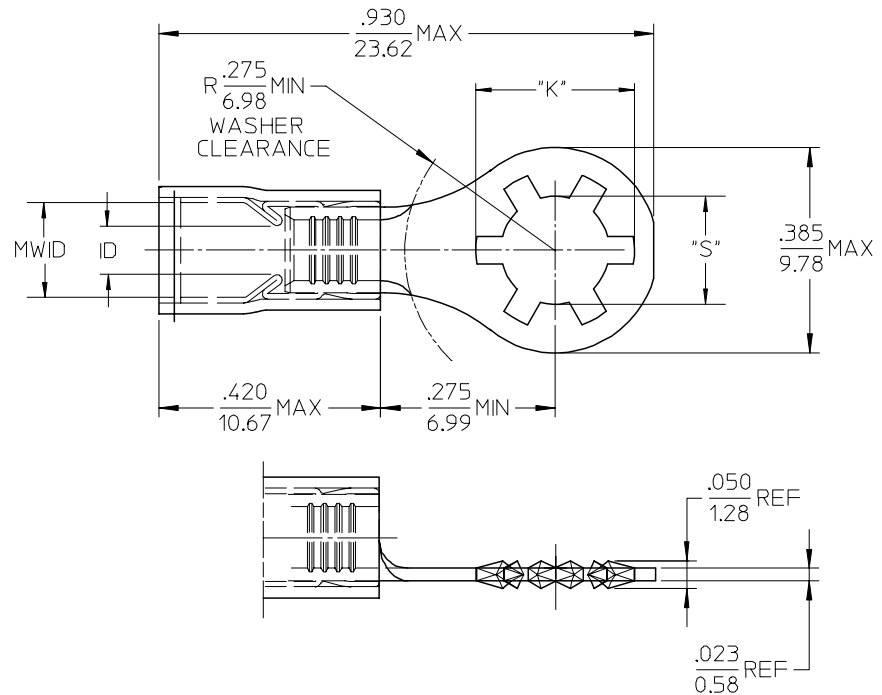
Tel: +86-755-8981 8866 Fax: +86-755-8427 6832

Email & Skype: info@chipsmall.com Web: www.chipsmall.com

Address: A1208, Overseas Decoration Building, #122 Zhenhua RD., Futian, Shenzhen, China



MATERIAL NO.	ENG. NO.	MATERIAL NO. TAPE MOUNTED	ENG. NO. TAPE MOUNTED	STUD SIZE	"S" ±.005/.127	"K" REF DIA	WIRE RANGE AWG / MM <sup>2</sup>	INSULATION COLOR	I.D. MIN	MWID
190770009	SRA-S-829-06	190770010	SRA-S-829-06T	6	.146 (3.71)	.236 (5.99)	22-18/.25-1.3	RED	.062/1.57	.138/3.51
190770011	SRA-S-829-08	190770012	SRA-S-829-08T	8	.173 (4.39)	.263 (6.68)				
190770013	SRA-S-829-10	190770014	SRA-S-829-10T	10	.198 (5.03)	.288 (7.32)				
190770021	SRB-S-829-06	190770022	SRB-S-829-06T	6	.146 (3.71)	.236 (5.99)	16-14/1.0-2.6	BLUE	.086/2.18	.169/4.29
190770023	SRB-S-829-08	190770024	SRB-S-829-08T	8	.173 (4.39)	.263 (6.68)				
190770025	SRB-S-829-10	190770026	SRB-S-829-10T	10	.198 (5.03)	.288 (7.32)				



SALES DRAWING

- NOTES:
1. MATERIAL: STEEL.  
PLATING: ELECTROPLATE TIN.
  2. FERRULE: BRASS ELECTROPLATE TIN.  
PLATING: ELECTROPLATE TIN.
  3. INSULATION: NYLON.
  4. MWID=MAXIMUM WIRE INSULATION DIA.
  5. ALL DIMENSIONS IN INCHES (MM).
  6. ALL COMPONENTS ARE ROHS COMPLIANT. (C)

MODIFY TOL. EC NO: ETC2006-0425 DRWN: CYORK 2006/05/08 CHKD: JMACNEIL 2006/05/11 APPR: RDEROSS 2006/05/11	QUALITY SYMBOLS	GENERAL TOLERANCES (UNLESS SPECIFIED)		SCALE 1:1	DESIGN UNITS INCH	THIRD ANGLE PROJECTION	REVISE ON CAD ONLY
	DESCRIPTION	mm	INCH	DIMENSION STYLE IN/MM		TITLE	
	▲ -0	4 PLACES ± ---	± ---	DRAWN BY DMYRICK	DATE 03/12/22	AVIKRIMP STEEL STAR RING TONGUE TERMINALS MOLEX INCORPORATED	
	▽ -0	3 PLACES ± ---	± .005	CHECKED BY SBEITZEL	DATE 03/12/22		
REV	2 PLACES ± 0.13	± .01	APPROVED BY RDEROSS	DATE 03/12/22	MATERIAL NO. SEE CHART	DOCUMENT NO. SD-19077-002	SHEET NO. 1 OF 1
	1 PLACE ± 0.25	± ---	DRAFT WHERE APPLICABLE MUST REMAIN WITHIN DIMENSIONS		THIS DRAWING CONTAINS INFORMATION THAT IS PROPRIETARY TO MOLEX INCORPORATED AND SHOULD NOT BE USED WITHOUT WRITTEN PERMISSION		