



Chipsmall Limited consists of a professional team with an average of over 10 year of expertise in the distribution of electronic components. Based in Hongkong, we have already established firm and mutual-benefit business relationships with customers from,Europe,America and south Asia,supplying obsolete and hard-to-find components to meet their specific needs.

With the principle of “Quality Parts,Customers Priority,Honest Operation,and Considerate Service”,our business mainly focus on the distribution of electronic components. Line cards we deal with include Microchip,ALPS,ROHM,Xilinx,Pulse,ON,Everlight and Freescale. Main products comprise IC,Modules,Potentiometer,IC Socket,Relay,Connector.Our parts cover such applications as commercial,industrial, and automotives areas.

We are looking forward to setting up business relationship with you and hope to provide you with the best service and solution. Let us make a better world for our industry!



Contact us

Tel: +86-755-8981 8866 Fax: +86-755-8427 6832

Email & Skype: info@chipsmall.com Web: www.chipsmall.com

Address: A1208, Overseas Decoration Building, #122 Zhenhua RD., Futian, Shenzhen, China



PLEASE CHECK WWW.MOLEX.COM FOR LATEST PART INFORMATION

Part Number: [19078-0131](#)
Status: **Active**
Description: MagKrimp™ Tooling Kit - Round Dies for 10,380-52,480 CMA

Documents:
[RoHS Certificate of Compliance \(PDF\)](#)

General

Product Family	Application Tooling
Series	T1722
Function	Crimp
Geographic Area	Global
Level of Automation	Manual
More Detailed Tech Information	applicationtooling@molex.com
Product Name	N/A
Survey	www.molex.com//review/apptool_survey.html
Tool Type	N/A
UPC	800755074321

Material Info

Reference - Drawing Numbers

Application Tooling Documents	ATS-190780131
-------------------------------	---------------

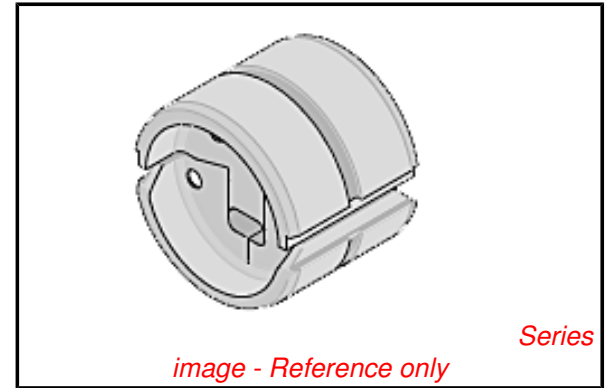


image - Reference only

EU RoHS	China RoHS
----------------	-------------------

Compliance Status

Not Reviewed

REACH SVHC

Not Reviewed

Low-Halogen Status

Not Reviewed

Need more information on product environmental compliance?

Email productcompliance@molex.com
 For a multiple part number RoHS Certificate of Compliance, [click here](#)

Please visit the [Contact Us](#) section for any non-product compliance questions.

Search Parts in this Series

[T1722Series](#)

Use With

190780129 , 190780122

Application Tooling	FAQ
Description	Product #

MagKrimp™ Piercing Splice 10,380 - 52,480 Circular Mil Area, Plated	0191951004
---	------------

MagKrimp™ Round Ring Tongue Terminal for 12 AWG Magnet Wire, 10,380-52.480 Circular Mil Area, Stud Size 1/4" (M6), Plated	0191951007
---	------------

MagKrimp™ Round Ring Tongue Terminal for 12 AWG Magnet Wire, 10,380-52,480	0191951021
--	------------

Circular Mil Area,
Stud Size 3/8" (M9),
Plated
MagKrimp™ Round 0191951037
Ring Tongue
Terminal for 12
AWG Magnet Wire,
10,380-52,480
Circular Mil Area,
Stud Size 1/2" (M12),
Plated
MagKrimp™ Round 0191951035
Ring Tongue
Terminal for 12
AWG Magnet Wire,
10,380-52,480
Circular Mil Area,
Stud Size 5/16" (M8),
Plated

This document was generated on 03/08/2013

PLEASE CHECK WWW.MOLEX.COM FOR LATEST PART INFORMATION