



Chipsmall Limited consists of a professional team with an average of over 10 year of expertise in the distribution of electronic components. Based in Hongkong, we have already established firm and mutual-benefit business relationships with customers from,Europe,America and south Asia,supplying obsolete and hard-to-find components to meet their specific needs.

With the principle of “Quality Parts,Customers Priority,Honest Operation,and Considerate Service”,our business mainly focus on the distribution of electronic components. Line cards we deal with include Microchip,ALPS,ROHM,Xilinx,Pulse,ON,Everlight and Freescale. Main products comprise IC,Modules,Potentiometer,IC Socket,Relay,Connector.Our parts cover such applications as commercial,industrial, and automotives areas.

We are looking forward to setting up business relationship with you and hope to provide you with the best service and solution. Let us make a better world for our industry!



## Contact us

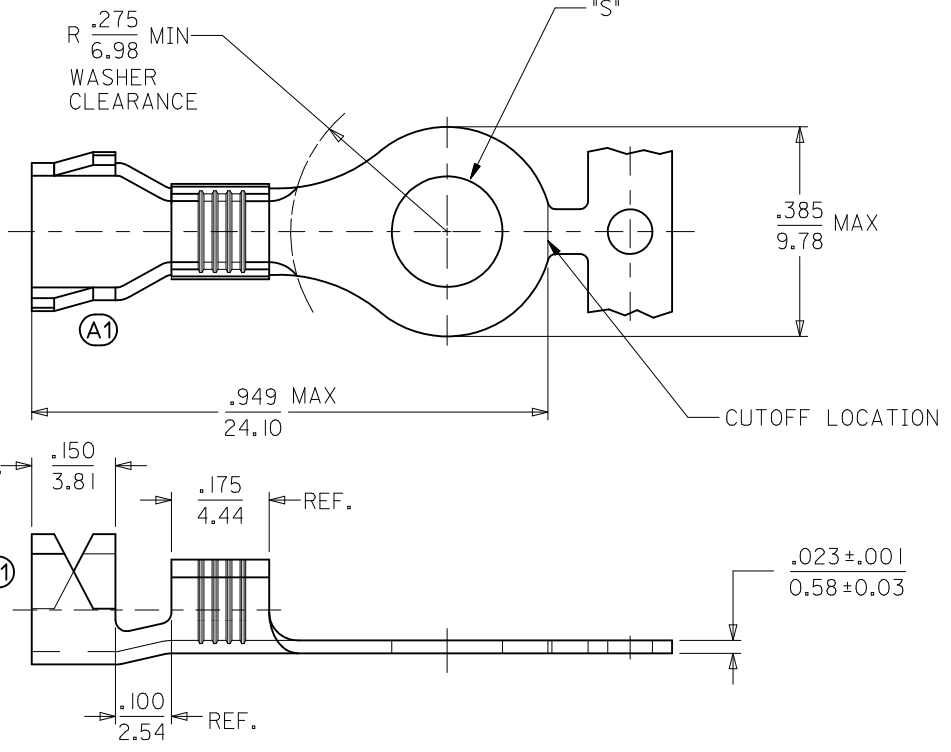
Tel: +86-755-8981 8866 Fax: +86-755-8427 6832

Email & Skype: info@chipsmall.com Web: www.chipsmall.com

Address: A1208, Overseas Decoration Building, #122 Zhenhua RD., Futian, Shenzhen, China



MATERIAL NUMBER	ENGINEERING NUMBER	STUD SIZE "S" ±.010/±.025	MATERIAL	PLATING
I90850001	I9085-0001	#6 = .146/(3.71)	BRASS	NONE
I90850002	I9085-0002	#8 = .173/(4.39)	BRASS	NONE
I90850003	I9085-0003	#10 = .198/(5.03)	BRASS	NONE
I90850004	RZ-4129-06	#6 = .146/(3.71)	BRASS	TIN
I90850005	RZ-4129-08	#8 = .173/(4.39)	BRASS	TIN
I90850006	RZ-4129-10	#10 = .198/(5.03)	BRASS	TIN
I90850007	RZ-S-4129-06	#6 = .146/(3.71)	STEEL	TIN
I90850008	RZ-S-4129-08	#8 = .173/(4.39)	STEEL	TIN
I90850009	RZ-S-4129-10	#10 = .198/(5.03)	STEEL	TIN



- NOTES:
1. MATERIAL: SEE CHART.
  2. PLATING: SEE CHART.
  3. WIRE RANGE: 18-14 AWG/1.3-2.6 MM.<sup>2</sup>
  4. PARTS ARE ROHS COMPLIANT.

(A1)

SALES DRAWING

CORRECT INSUL GRIP EC NO: WNA2012-0119 DRW: HETHRODAHL 2011/08/02 CHKD: JMACNEIL 2011/08/02 APPR: JMACNEIL 2011/09/12	QUALITY SYMBOLS	GENERAL TOLERANCES (UNLESS SPECIFIED)	DIMENSION STYLE	SCALE	DESIGN UNITS	THIRD ANGLE PROJECTION
	▽=0	mm INCH	IN/MM	---	INCH	
	▽=0	4 PLACES ± --- ± ---	DRAWN BY DATE	BRE 2002/02/04	TITLE	
		3 PLACES ± --- ± ---	CHECKED BY DATE	HEB 2002/02/04	VIBRAKRIMP STRIP RING TONGUE TERMINAL 18-14 AWG	
	2 PLACES ± --- ± ---	APPROVED BY DATE		MATERIAL NO. SEE CHART		DOCUMENT NO. SD-19085-002
	1 PLACE ± --- ± ---			MATERIAL NO. SEE CHART		SHEET NO. 1 OF 1
	ANGULAR ± ---°	DRAFT WHERE APPLICABLE MUST REMAIN WITHIN DIMENSIONS	THIS DRAWING CONTAINS INFORMATION THAT IS PROPRIETARY TO MOLEX INCORPORATED AND SHOULD NOT BE USED WITHOUT WRITTEN PERMISSION			