



Chipsmall Limited consists of a professional team with an average of over 10 year of expertise in the distribution of electronic components. Based in Hongkong, we have already established firm and mutual-benefit business relationships with customers from,Europe,America and south Asia,supplying obsolete and hard-to-find components to meet their specific needs.

With the principle of "Quality Parts,Customers Priority,Honest Operation,and Considerate Service",our business mainly focus on the distribution of electronic components. Line cards we deal with include Microchip,ALPS,ROHM,Xilinx,Pulse,ON,Everlight and Freescale. Main products comprise IC,Modules,Potentiometer,IC Socket,Relay,Connector.Our parts cover such applications as commercial,industrial, and automotives areas.

We are looking forward to setting up business relationship with you and hope to provide you with the best service and solution. Let us make a better world for our industry!



## Contact us

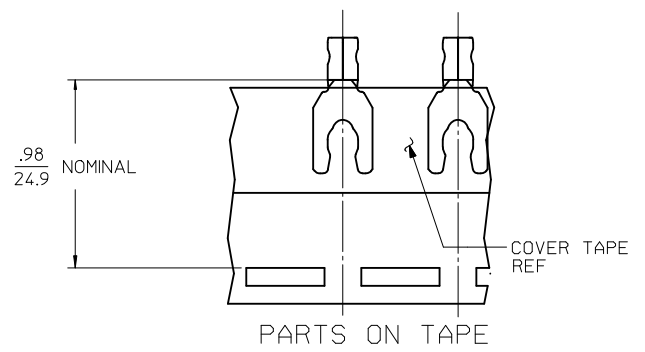
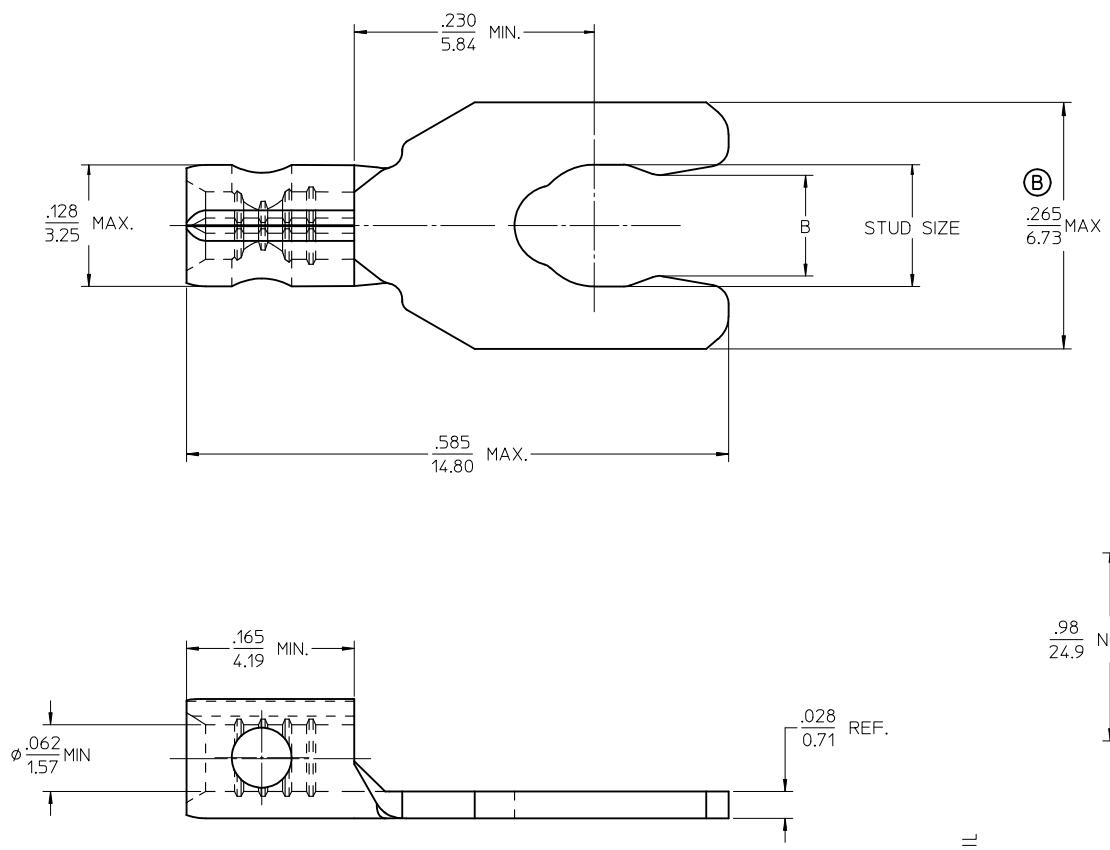
Tel: +86-755-8981 8866 Fax: +86-755-8427 6832

Email & Skype: info@chipsmall.com Web: www.chipsmall.com

Address: A1208, Overseas Decoration Building, #122 Zhenhua RD., Futian, Shenzhen, China



MATERIAL NO.	ENGINEERING NO.	STUD SIZE	STUD ± .005	DIMENSION B	DESCRIPTION
190980017	AA-1704-05	5	.127/3.23	.105/2.67	LOOSE PIECE
190980018	AA-1704-06	6	.146/3.71	.114/2.90	LOOSE PIECE
190980077	AA-1704-05T	5	.127/3.23	.105/2.67	TAPED REEL
190980019	AA-1704-06T	6	.146/3.71	.114/2.90	TAPED REEL



- NOTES:
1. MATERIAL: COPPER .028/0.71 THICK
  2. PLATING: ELECTRO-TIN
  3. PART IS RoHS COMPLIANT

<b>WIDTH TOLERANCE</b> EC NO: WNA2010-0646 DRWR:RSTONE 2007/07/03 CHKD:J.MACNEIL 2010/04/27 APPR:JMACNEIL 2010/05/14	<b>QUALITY SYMBOLS</b> ▽=1 ▽=2	<b>GENERAL TOLERANCES (UNLESS SPECIFIED)</b>		<b>DIMENSION STYLE</b> IN/MM	<b>SCALE</b> 10:1	<b>DESIGN UNITS</b> INCH	THIRD ANGLE PROJECTION
		4 PLACES ± --- ± --- 3 PLACES ± --- ± .005 2 PLACES ± 0.13 ± .01 1 PLACE ± 0.25 ± --- ANGULAR ± 1/2°	DRAWN BY JJ DATE 1984/10/17	CHECKED BY GZ DATE 1984/10/18	<b>TITLE</b> SNAP SPADE TONGUE TERMINAL, 22-18 AWG		
<b>DRAFT WHERE APPLICABLE MUST REMAIN WITHIN DIMENSIONS</b>		<b>MATERIAL NO.</b> SEE CHART		<b>APPROVED BY</b> --- DATE ---		<b>MOLEX INCORPORATED</b>	
<b>REV</b> B		<b>DESCRIPTION</b>		<b>MATERIAL NO.</b> SEE CHART		<b>DOCUMENT NO.</b> SD-19098-007	
				<b>SIZE</b> C		<b>SHEET NO.</b> 1 OF 1	
THIS DRAWING CONTAINS INFORMATION THAT IS PROPRIETARY TO MOLEX INCORPORATED AND SHOULD NOT BE USED WITHOUT WRITTEN PERMISSION							