



Chipsmall Limited consists of a professional team with an average of over 10 year of expertise in the distribution of electronic components. Based in Hongkong, we have already established firm and mutual-benefit business relationships with customers from,Europe,America and south Asia,supplying obsolete and hard-to-find components to meet their specific needs.

With the principle of "Quality Parts,Customers Priority,Honest Operation,and Considerate Service",our business mainly focus on the distribution of electronic components. Line cards we deal with include Microchip,ALPS,ROHM,Xilinx,Pulse,ON,Everlight and Freescale. Main products comprise IC,Modules,Potentiometer,IC Socket,Relay,Connector.Our parts cover such applications as commercial,industrial, and automotives areas.

We are looking forward to setting up business relationship with you and hope to provide you with the best service and solution. Let us make a better world for our industry!



Contact us

Tel: +86-755-8981 8866 Fax: +86-755-8427 6832

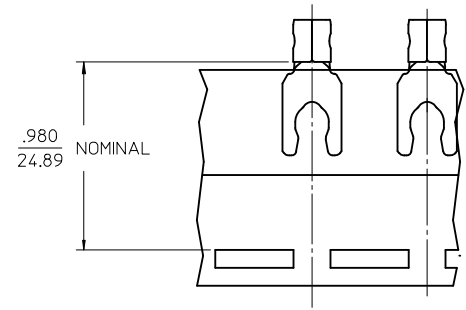
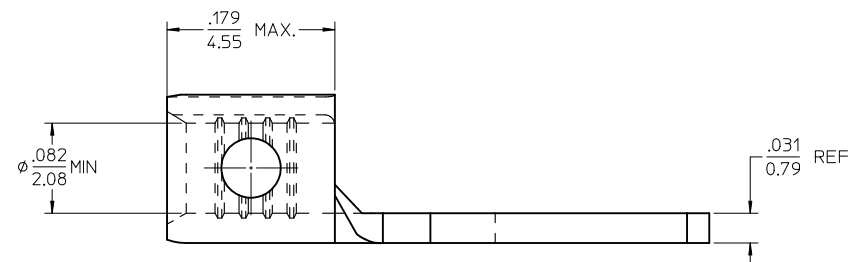
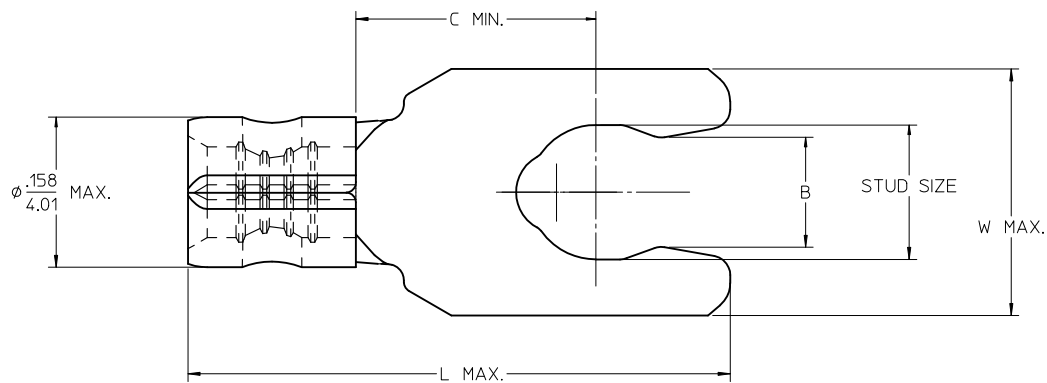
Email & Skype: info@chipsmall.com Web: www.chipsmall.com

Address: A1208, Overseas Decoration Building, #122 Zhenhua RD., Futian, Shenzhen, China



LOOSE PIECE		TAPE MOUNTED						
MATERIAL NO.	ENGINEERING NO.	MATERIAL NO.	ENGINEERING NO.	STUD SIZE	DIMENSION B	DIMENSION C	DIMENSION L	DIMENSION W
190980041	BB-1707-05	190980042	BB-1707-05T	5	.105/2.67	.230/5.84	.585/14.86	.265/6.73
190980043	BB-1707-06	190980044	BB-1707-06T	6	.114/2.90	.230/5.84	.585/14.86	.265/6.73
190980047	BB-1716-08	190980048	BB-1716-08T	8	.139/3.53	.261/6.63	.646/16.41	.320/8.13
190980049	BB-1717-10	190980050	BB-1717-10T	10	.156/3.96	.261/6.63	.694/17.63	.340/8.64

(B)
(B)



PARTS ON TAPE

- NOTES:
 1. MATERIAL: COPPER .031/0.79 THICK
 2. PLATING: ELECTRO-TIN
 3. PARTS ARE RoHS COMPLIANT

INCR TONGUE WIDTH	EC NO: WNA2010-0646	QUALITY SYMBOLS	▽=1
	DRWR:STONE 2007/07/05		▽=2
CHKD:J.MACNEIL 2010/04/27	APPR:J.MACNEIL 2010/05/14	DESCRIPTION	
REV			

GENERAL TOLERANCES (UNLESS SPECIFIED)	
	mm INCH
4 PLACES ± ---	± ---
3 PLACES ± ---	± .005
2 PLACES ± 0.13	± .01
1 PLACE ± 0.25	± ---
ANGULAR ± 1/2°	
DRAFT WHERE APPLICABLE MUST REMAIN WITHIN DIMENSIONS	

DIMENSION STYLE	
IN/MM	
DRAWN BY	DATE
KO	1984/10/19
CHECKED BY	DATE
GZ	1984/11/02
APPROVED BY	DATE
---	---
MATERIAL NO.	DOCUMENT NO.
SEE CHART	SD-19098-004
SIZE	
C	

SCALE	DESIGN UNITS	THIRD ANGLE PROJECTION
10:1	INCH	☉
TITLE		
SNAP SPADE TONGUE TERMINAL, 16-14 AWG		
MOLEX INCORPORATED		
SHEET NO.	1 OF 1	
THIS DRAWING CONTAINS INFORMATION THAT IS PROPRIETARY TO MOLEX INCORPORATED AND SHOULD NOT BE USED WITHOUT WRITTEN PERMISSION		