



Chipsmall Limited consists of a professional team with an average of over 10 year of expertise in the distribution of electronic components. Based in Hongkong, we have already established firm and mutual-benefit business relationships with customers from,Europe,America and south Asia,supplying obsolete and hard-to-find components to meet their specific needs.

With the principle of “Quality Parts,Customers Priority,Honest Operation,and Considerate Service”,our business mainly focus on the distribution of electronic components. Line cards we deal with include Microchip,ALPS,ROHM,Xilinx,Pulse,ON,Everlight and Freescale. Main products comprise IC,Modules,Potentiometer,IC Socket,Relay,Connector.Our parts cover such applications as commercial,industrial, and automotives areas.

We are looking forward to setting up business relationship with you and hope to provide you with the best service and solution. Let us make a better world for our industry!



## Contact us

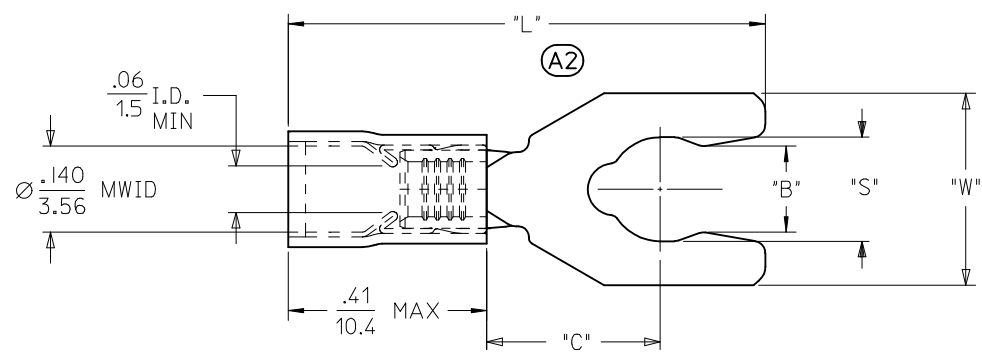
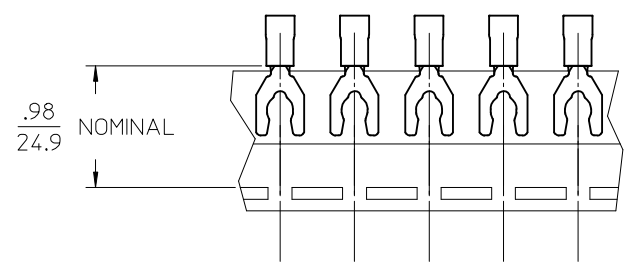
Tel: +86-755-8981 8866 Fax: +86-755-8427 6832

Email & Skype: info@chipsmall.com Web: www.chipsmall.com

Address: A1208, Overseas Decoration Building, #122 Zhenhua RD., Futian, Shenzhen, China



MATERIAL NUMBER	ALTERNATE NUMBER	STUD SIZE	"S" ±.010/0.25	"W" ±.010/0.25	"C" MIN	"L" MAX	"B"	PACKAGING
191150007	AA-8704-05	5	.126/3.20	.255/6.48	.23/5.8	.81/20.6	.105/2.67	LOOSE PIECE
191150009	AA-8704-06	6	.140/3.56	.255/6.48	.23/5.8	.81/20.6	.114/2.90	
191150012	AA-8714-08	8	.168/4.27	.310/7.87	.26/6.6	.88/22.2	.139/3.53	
191150014	AA-8715-10	10	.192/4.88	.330/8.38	.26/6.6	.92/23.4	.156/3.96	TAPE MOUNTED
191150008	AA-8704-05T	5	.126/3.20	.255/6.48	.23/5.8	.81/20.6	.105/2.67	
191150010	AA-8704-06T	6	.140/3.56	.255/6.48	.23/5.8	.81/20.6	.114/2.90	
191150013	AA-8714-08T	8	.168/4.27	.310/7.87	.26/6.6	.88/22.2	.139/3.53	
191150015	AA-8715-10T	10	.192/4.88	.330/8.38	.26/6.6	.92/23.4	.156/3.96	



NOTES:  
 1. MATERIAL: COPPER  
 PLATING: ELECTROPLATE TIN  
 2. FERRULE: TIN-PLATED BRASS  
 3. INSULATION: LIGHT RED NYLON  
 4. MWID=MAXIMUM WIRE INSULATION DIA.  
 5. PARTS ARE ROHS COMPLIANT.

REVISION "L" DIM EC NO: PG2013-0981 DRAWING: GROSAS01 2013/01/02 CHKD: JMCNEIL 2013/01/02 APPR: JMCNEIL 2013/01/31 A2	QUALITY SYMBOLS ▽=0 ▽7=0	GENERAL TOLERANCES (UNLESS SPECIFIED) mm INCH 4 PLACES ± --- ± --- 3 PLACES ± --- ± .005 2 PLACES ± 0.13 ± .010 1 PLACE ± 0.25 ± .020 ANGULAR ± 1/2°	DIMENSION STYLE IN/MM DRAWN BY DATE ETHRODAHL 2010/06/04 CHECKED BY DATE JMCNEIL 2010/06/09 APPROVED BY DATE JMCNEIL 2010/06/22	SCALE --- DESIGN UNITS INCH THIRD ANGLE PROJECTION	TITLE SNAP SPADE TERMINAL AVIKRIMP 22-18 AWG
	DRAFT WHERE APPLICABLE MUST REMAIN WITHIN DIMENSIONS		MATERIAL NO. SEE CHART	DOCUMENT NO. SD-19115-001	SHEET NO. 1 OF 1
	THIS DRAWING CONTAINS INFORMATION THAT IS PROPRIETARY TO MOLEX INCORPORATED AND SHOULD NOT BE USED WITHOUT WRITTEN PERMISSION				
	MOLEX INCORPORATED				