



Chipsmall Limited consists of a professional team with an average of over 10 year of expertise in the distribution of electronic components. Based in Hongkong, we have already established firm and mutual-benefit business relationships with customers from,Europe,America and south Asia,supplying obsolete and hard-to-find components to meet their specific needs.

With the principle of “Quality Parts,Customers Priority,Honest Operation,and Considerate Service”,our business mainly focus on the distribution of electronic components. Line cards we deal with include Microchip,ALPS,ROHM,Xilinx,Pulse,ON,Everlight and Freescale. Main products comprise IC,Modules,Potentiometer,IC Socket,Relay,Connector.Our parts cover such applications as commercial,industrial, and automotives areas.

We are looking forward to setting up business relationship with you and hope to provide you with the best service and solution. Let us make a better world for our industry!



## Contact us

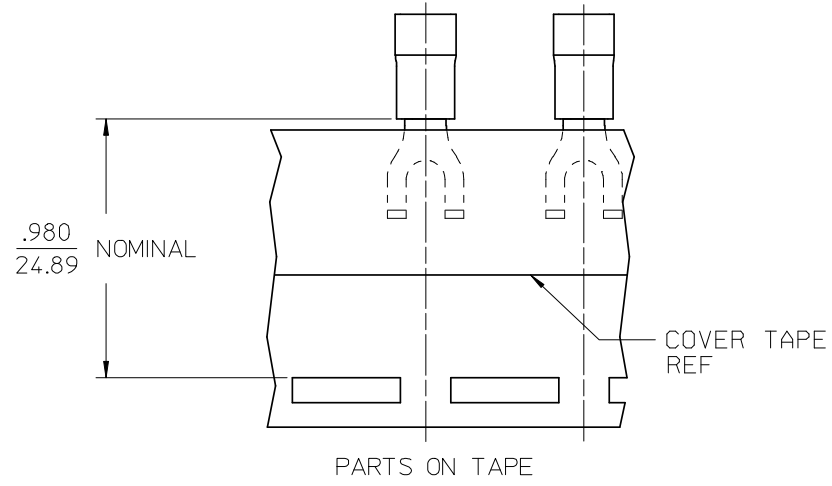
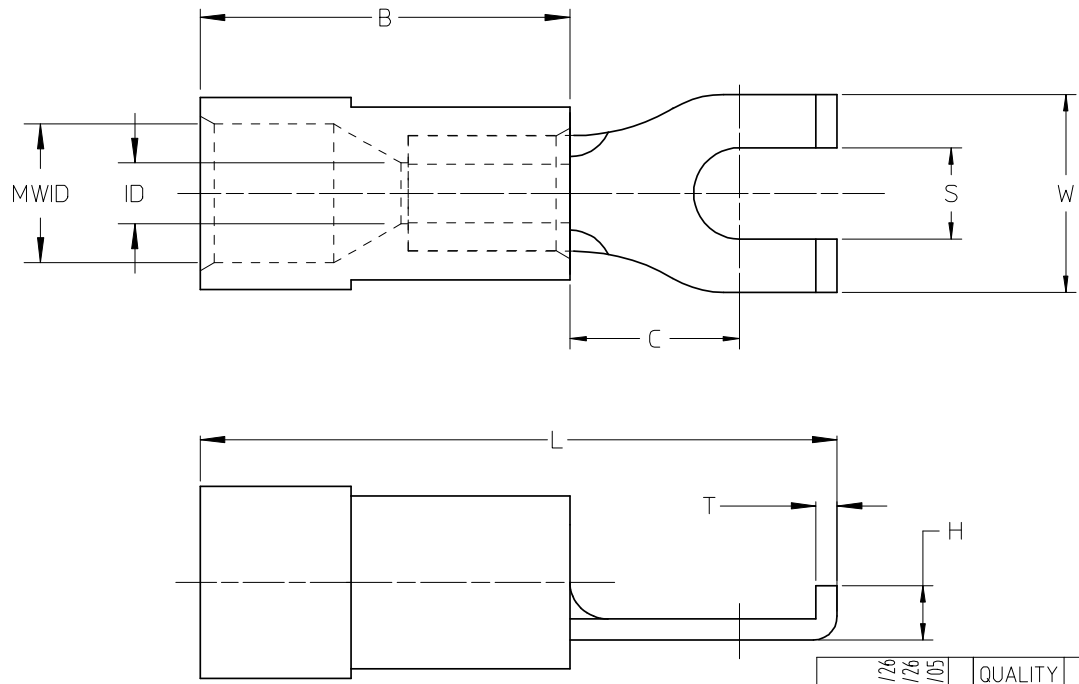
Tel: +86-755-8981 8866 Fax: +86-755-8427 6832

Email & Skype: info@chipsmall.com Web: www.chipsmall.com

Address: A1208, Overseas Decoration Building, #122 Zhenhua RD., Futian, Shenzhen, China



LOOSE PIECE		TAPE MOUNTED		DIMENSIONS										FINISH
MATERIAL NUMBER	ENGINEERING NUMBER	MATERIAL NUMBER	ENGINEERING NUMBER	STUD SIZE	S ±.005	W MAX	C MIN	ID MIN	MWID	B REF	L MAX	H REF	T REF	INSULATION COLOR
191210005	AA-215-06X	191210006	AA-215-06XT	6	.146/3.71	.301/7.6	.207/5.3	.054/1.37	.145/3.68	.400/10.16	.781/19.8	.08/2.0	.031/0.79	RED
191210007	AA-215-08X	191210008	AA-215-08XT	8	.173/4.39	.301/7.6	.207/5.3	.054/1.37	.145/3.68	.400/10.16	.781/19.8	.08/2.0	.031/0.79	RED
191210009	AA-215-10X	191210010	AA-215-10XT	10	.198/5.03	.301/7.6	.207/5.3	.054/1.37	.145/3.68	.400/10.16	.781/19.8	.08/2.0	.031/0.79	RED
191210026	BB-216-06X	191210027	BB-216-06XT	6	.146/3.71	.301/7.6	.209/5.3	.081/2.06	.175/4.45	.400/10.16	.795/20.2	.08/2.0	.031/0.79	BLUE
191210028	BB-216-08X	191210029	BB-216-08XT	8	.173/4.39	.301/7.6	.209/5.3	.081/2.06	.175/4.45	.400/10.16	.795/20.2	.08/2.0	.031/0.79	BLUE
191210030	BB-216-10X	191210031	BB-216-10XT	10	.198/5.03	.301/7.6	.209/5.3	.081/2.06	.175/4.45	.400/10.16	.795/20.2	.08/2.0	.031/0.79	BLUE
191210051	C-217-06X	191210052	C-217-06XT	6	.146/3.71	.345/8.8 (A)	.270/6.85 (A)	.128/3.25	.245/6.22	.550/13.97	1.01/25.7 (A)	.10/2.5	.040/1.02	YELLOW
191210053	C-217-08X	191210054	C-217-08XT	8	.173/4.39	.385/9.8	.270/6.85 (A)	.128/3.25	.245/6.22	.550/13.97	1.01/25.7 (A)	.10/2.5	.040/1.02	YELLOW
191210056	C-217-10X	191210057	C-217-10XT	10	.209/5.3 (A)	.385/9.8	.270/6.85 (A)	.128/3.25	.245/6.22	.550/13.97	1.01/25.7 (A)	.10/2.5	.040/1.02	YELLOW



SALES DRAWING

- NOTES:
1. MATERIAL: COPPER
  2. PLATING: ELECTRO-TIN
  3. MWID = MAXIMUM WIRE INSULATION DIAMETER
  4. PART IS RoHS COMPLIANT

12-10 TO ALT DIE DIMS EC NO: ETC2008-0012 DRWN:RSTONE 2007/11/26 CHKD:MACNEIL 2007/11/26 APPR:MACNEIL 2007/12/05	QUALITY SYMBOLS	GENERAL TOLERANCES (UNLESS SPECIFIED)		DIMENSION STYLE IN/MM		SCALE ---	DESIGN UNITS INCH	THIRD ANGLE PROJECTION	
	▽=0	4 PLACES	± ---	± ---	DRAWN BY JJ	DATE 1984/11/05	TITLE FLANGED SPADE TERMINAL, INSULKRIMP		
	∇=0	3 PLACES	± 0.005	± .005	CHECKED BY GZ	DATE 1984/11/06			
		2 PLACES	± 0.13	± .01	APPROVED BY		DATE	MATERIAL NO. SEE CHART	
	1 PLACE	± 0.25	± ---	DATE		DATE	MOLEX INCORPORATED DOCUMENT NO. SD-19121-001		
	ANGULAR ±1/2°		DRAFT WHERE APPLICABLE MUST REMAIN WITHIN DIMENSIONS		MATERIAL NO. SEE CHART				
					THIS DRAWING CONTAINS INFORMATION THAT IS PROPRIETARY TO MOLEX INCORPORATED AND SHOULD NOT BE USED WITHOUT WRITTEN PERMISSION				