



Chipsmall Limited consists of a professional team with an average of over 10 year of expertise in the distribution of electronic components. Based in Hongkong, we have already established firm and mutual-benefit business relationships with customers from,Europe,America and south Asia,supplying obsolete and hard-to-find components to meet their specific needs.

With the principle of “Quality Parts,Customers Priority,Honest Operation,and Considerate Service”,our business mainly focus on the distribution of electronic components. Line cards we deal with include Microchip,ALPS,ROHM,Xilinx,Pulse,ON,Everlight and Freescale. Main products comprise IC,Modules,Potentiometer,IC Socket,Relay,Connector.Our parts cover such applications as commercial,industrial, and automotives areas.

We are looking forward to setting up business relationship with you and hope to provide you with the best service and solution. Let us make a better world for our industry!



Contact us

Tel: +86-755-8981 8866 Fax: +86-755-8427 6832

Email & Skype: info@chipsmall.com Web: www.chipsmall.com

Address: A1208, Overseas Decoration Building, #122 Zhenhua RD., Futian, Shenzhen, China



NOTES:

① MAT'L: COPPER

PLATING: ELECTRO-TIN (.0003 MIN.)

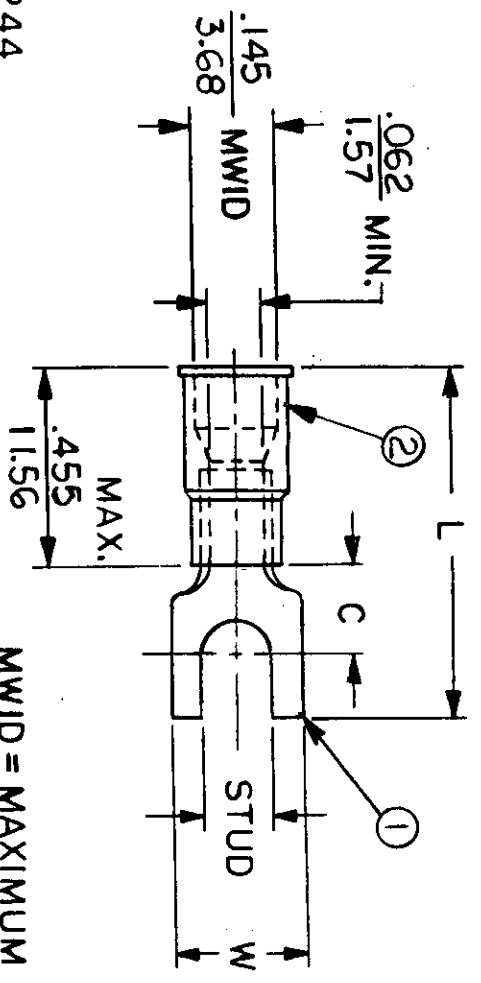
② INSULATION: MOLDED PVC (RED)

STUD SIZES: (+.005)

- 02 = .094
- 04 = .119
- 06 = .146
- 08 = .173
- 10 = .198
- 14 = .265
- 56 = .328
- 38 = .390

"UL" LISTING #E32244
 "CSA" LISTING #18689

ALL DIMENSIONS = INCHES
 M M



MWID = MAXIMUM WIRE
 INSULATION DIAMETER
 WIRE SIZE: 22-18 AWG
 25-1.5 MM²

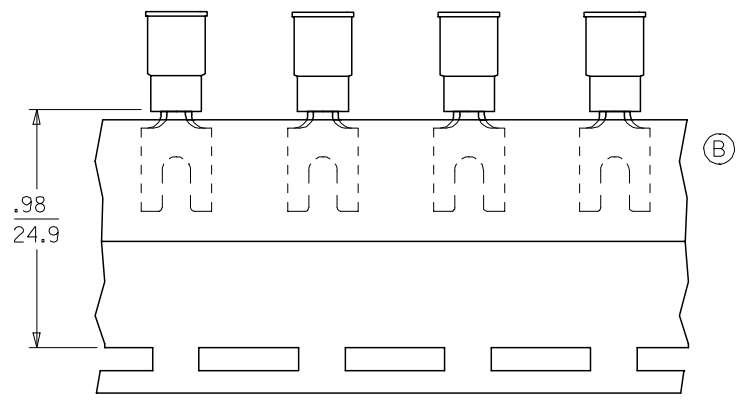
PART NUMBER	"W" ±.010	"C" MIN.	"L" MAX.	"ID" MIN	AVAILABLE STUD SIZES	STOCK THICKNESS
A-234-	$\frac{.291}{7.39}$	$\frac{.207}{5.26}$	$\frac{.835}{21.21}$	$\frac{.062}{1.57}$	04X, 06X, 08X	$\frac{.028 \pm .001}{.71}$
A-238-	$\frac{.245}{6.22}$	$\frac{.207}{5.26}$	$\frac{.835}{21.21}$	$\frac{.062}{1.57}$	04X, 06X	$\frac{.028 \pm .001}{.71}$
A-291-	$\frac{.420}{10.67}$	$\frac{.235}{5.97}$	$\frac{.934}{23.72}$	$\frac{.054}{1.37}$	06X, 08X, 10X	$\frac{.031 \pm .001}{.79}$
A-294-	$\frac{.375}{9.53}$	$\frac{.235}{5.97}$	$\frac{.936}{23.77}$	$\frac{.054}{1.37}$	06X, 08X, 10X	$\frac{.031 \pm .001}{.79}$
A-297-	$\frac{.325}{8.26}$	$\frac{.235}{5.97}$	$\frac{.936}{23.77}$	$\frac{.054}{1.37}$	04X, 06X, 08X	$\frac{.031 \pm .001}{.79}$

DIMENSIONAL TOLERANCES UNLESS OTHERWISE SPECIFIED		REFERENCE	SCALE:	NTS	DATE	TITLE:
FRAC.	DEC.	ANG.	DRWN. BY:	JJ	10-29-84	SPADE TONGUE TERMINAL INSULKRIMP 200-SERIES
±	±	±	CHKD. BY:	GZ	11-9-84	
			APPRD. BY:			

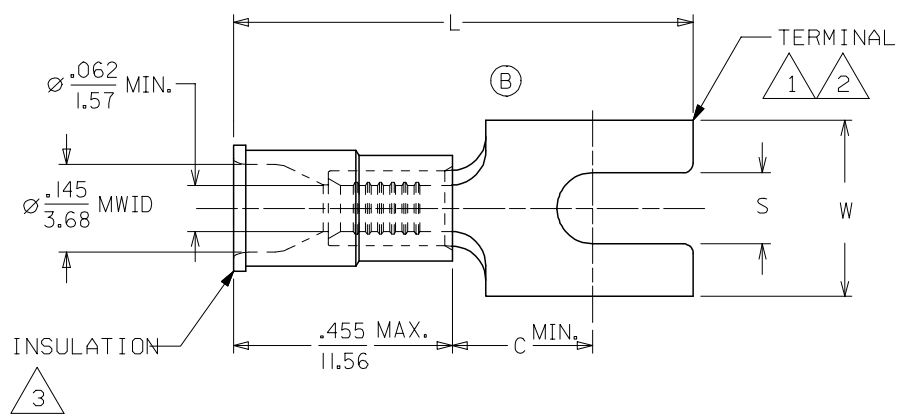
DWG. NO.	A	CUSTOMER DWG.
----------	---	---------------



MATERIAL NUMBER	ENGINEERING NUMBER	STUD SIZE	"S" ±.005/(0.13)	"W" ±.010/(0.25)	"C" MIN.	"L" MAX.	PACKAGING
191300008	A-238-04X	4	.119/(3.02)	.245/(6.22)	.207/(5.26)	.835/(21.21)	LOOSE PIECE
191300009	A-238-06X	6	.146/(3.71)	.245/(6.22)	.207/(5.26)	.835/(21.21)	
191420058	A-238-04XT	4	.119/(3.02)	.245/(6.22)	.207/(5.26)	.835/(21.21)	TAPE MOUNTED
191420009	A-238-06XT	6	.146/(3.71)	.245/(6.22)	.207/(5.26)	.835/(21.21)	



PARTS ON TAPE



NOTES:
 1. MATERIAL: COPPER
 .029/.028(0.74/0.71)
 THICK.
 2. PLATING: ELECTRO-TIN.
 3. INSULATION: MOLDED PVC (RED).
 5. MWID=MAXIMUM WIRE INSULATION
 DIAMETER.

REVISED TO BLOCK SPADE
 EC NO: ETC2006-0125
 DRW:NEHLE 2005/12/02
 CHK:DREROSS 2005/12/06
 APPR:DREROSS 2005/12/06

QUALITY SYMBOLS
 ▽=0
 ▽=0

	GENERAL TOLERANCES (UNLESS SPECIFIED)	
	mm	INCH
4 PLACES	± ---	± ---
3 PLACES	± ---	± ---
2 PLACES	± ---	± ---
1 PLACE	± ---	± ---
ANGULAR ±1/2°		

DIMENSION STYLE	
IN/MM	
DRAWN BY	DATE
BRE	2001/08/15
CHECKED BY	DATE
RWD	2001/08/15
APPROVED BY	DATE
RWD	2001/08/15

SCALE	DESIGN UNITS	THIRD ANGLE PROJECTION
---	INCH	☉
TITLE		
BLOCK SPADE TONGUE TERMINAL, INSULKRIMP, 22-18 AWG		
MATERIAL NO.		
SEE CHART		
DOCUMENT NO.		
SD-19142-002		
SHEET NO.		
1 OF 1		