



Chipsmall Limited consists of a professional team with an average of over 10 year of expertise in the distribution of electronic components. Based in Hongkong, we have already established firm and mutual-benefit business relationships with customers from,Europe,America and south Asia,supplying obsolete and hard-to-find components to meet their specific needs.

With the principle of “Quality Parts,Customers Priority,Honest Operation,and Considerate Service”,our business mainly focus on the distribution of electronic components. Line cards we deal with include Microchip,ALPS,ROHM,Xilinx,Pulse,ON,Everlight and Freescale. Main products comprise IC,Modules,Potentiometer,IC Socket,Relay,Connector.Our parts cover such applications as commercial,industrial, and automotives areas.

We are looking forward to setting up business relationship with you and hope to provide you with the best service and solution. Let us make a better world for our industry!



Contact us

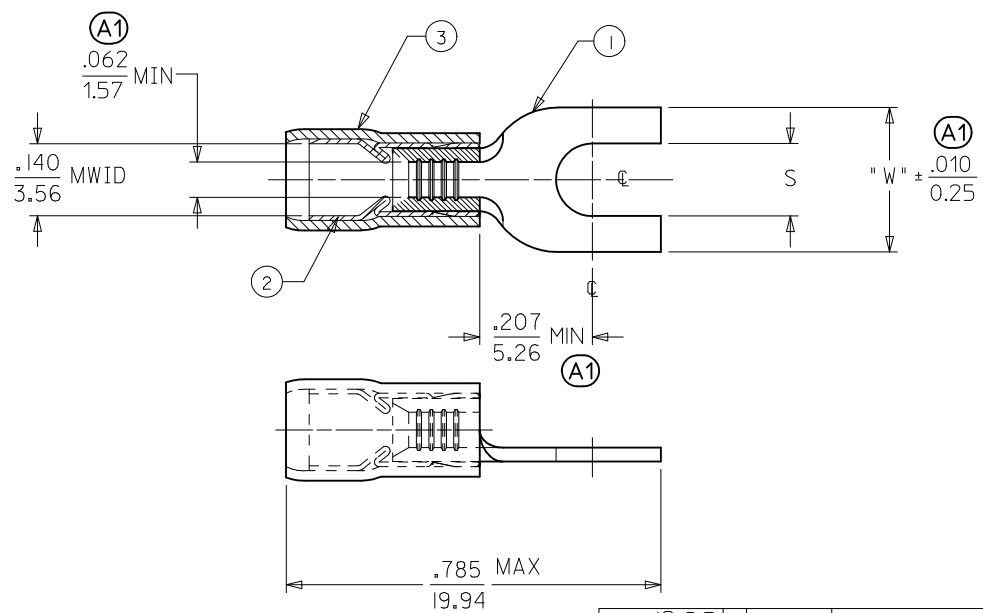
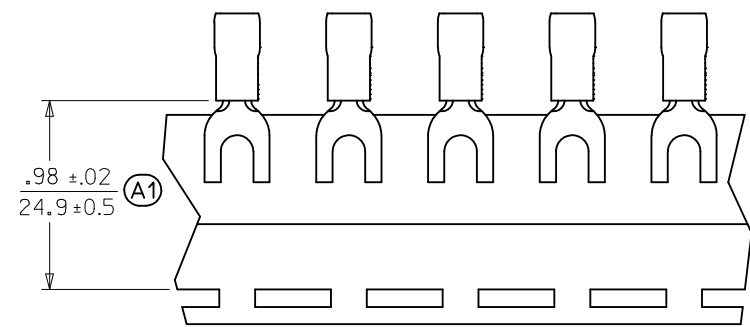
Tel: +86-755-8981 8866 Fax: +86-755-8427 6832

Email & Skype: info@chipsmall.com Web: www.chipsmall.com

Address: A1208, Overseas Decoration Building, #122 Zhenhua RD., Futian, Shenzhen, China



MATERIAL NUMBER	ALTERNATE NUMBER	STUD SIZE	"S"	"W"	PACKAGING
191390009	AA-834-04	4	.119/(3.02)	.291 (7.39)	LOOSE PIECE
191390011	AA-834-06	6	.146/(3.71)	.291 (7.39)	
191390013	AA-834-08	8	.173/(4.39)	.291 (7.39)	
191390015	AA-834-10	10	.198/(5.03)	.291 (7.39)	
191390016	AA-838-04	4	.119/(3.02)	.245 (6.23)	
191390018	AA-838-06	6	.146/(3.71)	.245 (6.23)	TAPE MOUNTED
191390010	AA-834-04T	4	.173/(4.39)	.291 (7.39)	
191390012	AA-834-06T	6	.146/(3.71)	.291 (7.39)	
191390014	AA-834-08T	8	.173/(4.39)	.291 (7.39)	
191390017	AA-838-04T	4	.119/(3.02)	.245 (6.23)	
191390019	AA-838-06T	6	.146/(3.71)	.245 (6.23)	



- NOTES:
 1. MATERIAL: COPPER .028 THICK
 PLATING: MATTE TIN
 2. FERRULE: TIN-PLATED BRASS
 3. INSULATION: RED NYLON
 4. MWID=MAXIMUM WIRE INSULATION DIA.
 5. PARTS ARE ROHS COMPLIANT.

CUSTOMER DRAWING

CORRECT TOLERANCES EC NO: IPG2012-0575 DRW: NETHRODAHL 2012/04/16 CHKD: JMACNEIL 2012/04/16 APPR: JMACNEIL 2012/04/19 A1	QUALITY SYMBOLS ▽=0 ▽7=0	GENERAL TOLERANCES (UNLESS SPECIFIED) mm INCH 4 PLACES ± --- ± --- 3 PLACES ± --- ± .005 2 PLACES ± 0.13 ± .01 1 PLACE ± 0.25 ± --- 0 PLACE ± ±	DIMENSION STYLE IN/MM DRAWN BY DATE EDB 2000/11/17 CHECKED BY DATE HEB 2000/11/17 APPROVED BY DATE	SCALE 4:1 DESIGN UNITS INCH THIRD ANGLE PROJECTION	TITLE SPADE TONGUE TERMINAL AVIKRIMP -800 SERIES 22-18 AWG molex	MATERIAL NO. SEE CHART SIZE B	DOCUMENT NO. SD-19139-001	SHEET NO. 1 OF 1	
	ANGULAR ± --- ° DRAFT WHERE APPLICABLE MUST REMAIN WITHIN DIMENSIONS		THIS DRAWING CONTAINS INFORMATION THAT IS PROPRIETARY TO MOLEX INCORPORATED AND SHOULD NOT BE USED WITHOUT WRITTEN PERMISSION						