



Chipsmall Limited consists of a professional team with an average of over 10 year of expertise in the distribution of electronic components. Based in Hongkong, we have already established firm and mutual-benefit business relationships with customers from,Europe,America and south Asia,supplying obsolete and hard-to-find components to meet their specific needs.

With the principle of “Quality Parts,Customers Priority,Honest Operation,and Considerate Service”,our business mainly focus on the distribution of electronic components. Line cards we deal with include Microchip,ALPS,ROHM,Xilinx,Pulse,ON,Everlight and Freescale. Main products comprise IC,Modules,Potentiometer,IC Socket,Relay,Connector.Our parts cover such applications as commercial,industrial, and automotives areas.

We are looking forward to setting up business relationship with you and hope to provide you with the best service and solution. Let us make a better world for our industry!



## Contact us

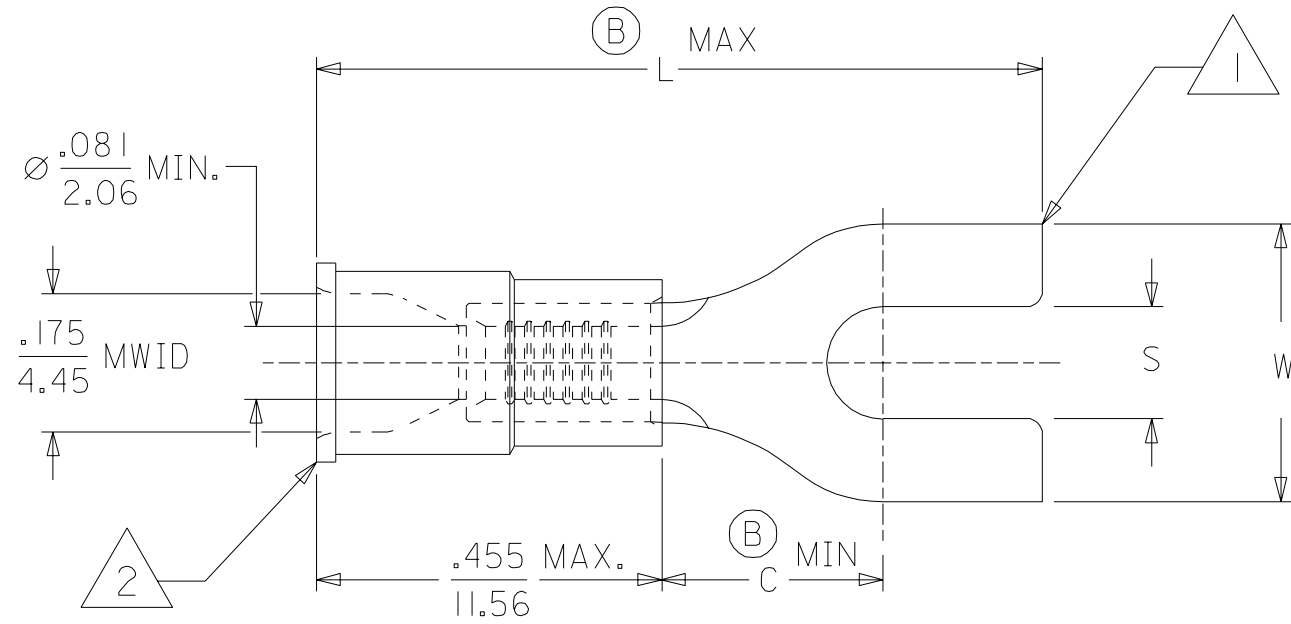
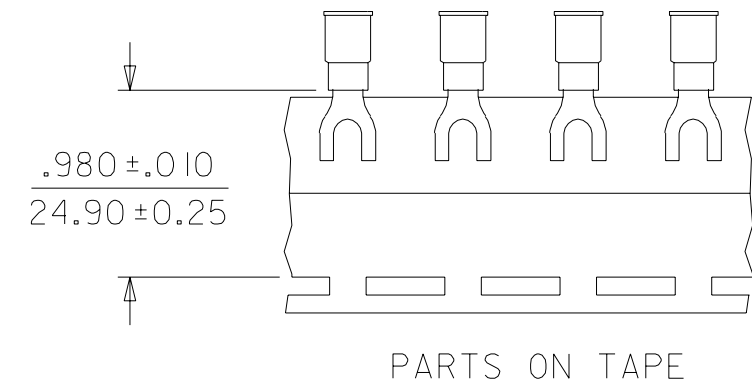
Tel: +86-755-8981 8866 Fax: +86-755-8427 6832

Email & Skype: info@chipsmall.com Web: www.chipsmall.com

Address: A1208, Overseas Decoration Building, #122 Zhenhua RD., Futian, Shenzhen, China



	10	9	8	7	6	5	4	3	2	1
	MATERIAL NUMBER	ENGINEERING NUMBER	STUD SIZE	"S" ±.005/(0.13)	"W" ±.010/(0.25)	"C" MIN (B)	"L" MAX (B)	PACKAGING		
F	191420019	B-207-04X	4	.119/(3.02)	.245/(6.22)	.209/(5.31)	.834/(21.18)	LOOSE PIECE		
	191420020	B-207-06X	6	.146/(3.71)	.245/(6.22)	.209/(5.31)	.834/(21.18)			
	191420022	B-224-04X	4	.119/(3.02)	.295/(7.49)	.211/(5.36)	.831/(21.11)			
	191420024	B-224-06X	6	.146/(3.71)	.295/(7.49)	.211/(5.36)	.831/(21.11)			
191420027	B-224-08X	8	.173/(4.39)	.295/(7.49)	.211/(5.36)	.831/(21.11)				
191420029	B-227-06X	6	.146/(3.71)	.362/(9.19)	.269/(6.83)	.966/(24.54)				
191420030	B-227-08X	8	.173/(4.39)	.388/(9.85)	.269/(6.83)	.966/(24.54)				
191420032	B-227-10X	10	.198/(5.03)	.388/(9.85)	.269/(6.83)	.966/(24.54)				
E	191420069	B-207-04XT	4	.119/(3.02)	.245/(6.22)	.209/(5.31)	.834/(21.18)	TAPE MOUNTED		
	191420021	B-207-06XT	6	.146/(3.71)	.245/(6.22)	.209/(5.31)	.834/(21.18)			
	191420071	B-224-04XT	4	.119/(3.02)	.295/(7.49)	.211/(5.36)	.831/(21.11)			
	191420025	B-224-06XT	6	.146/(3.71)	.295/(7.49)	.211/(5.36)	.831/(21.11)			
191420072	B-224-08XT	8	.173/(4.39)	.295/(7.49)	.211/(5.36)	.831/(21.11)				
191420073	B-227-06XT	6	.146/(3.71)	.362/(9.19)	.269/(6.83)	.966/(24.54)				
191420031	B-227-08XT	8	.173/(4.39)	.388/(9.85)	.269/(6.83)	.966/(24.54)				
191420033	B-227-10XT	10	.198/(5.03)	.388/(9.85)	.269/(6.83)	.966/(24.54)				



SALES DRAWING

- NOTES:
- MATERIAL: COPPER .031/(.79) THICK.
  - PLATING: ELECTRO-TIN.
  - INSULATION: MOLDED PVC (BLUE)
  - MWID=MAXIMUM WIRE INSULATION DIAMETER.

REVISED "L"	EC NO. ETC2004-0133	QUALITY SYMBOLS
B	DRWN: BRE 04/01/14	MAJOR = 0
	CHK: HEB 04/01/14	CRITICAL = 0
	APPR: RWD 04/01/14	

GENERAL TOLERANCES: (UNLESS SPECIFIED)	
4 PLACES	±0. INCH
3 PLACES	±0. INCH
2 PLACES	±0. INCH
1 PLACE	±0. INCH
ANGULAR: ±1/2°	
DRAFT WHERE APPLICABLE MUST REMAIN WITHIN DIMENSIONS	

SCALE 4:1	DESIGN UNITS <input type="checkbox"/> mm <input checked="" type="checkbox"/> INCH
DRAWN BY & DATE HEB 99/11/12	
CHECKED BY & DATE RWD 99/11/12	
APPROVED BY & DATE RWD 99/11/12	
CAD FILENAME SD-19142-001.DGN	

DIMENSIONS: <input type="checkbox"/> mm <input checked="" type="checkbox"/> INCH <input type="checkbox"/> mm ONLY		SHT	REV
THIRD ANGLE PROJECTION		REVISE ON CAD ONLY	
TITLE: SPADE TONGUE TERMINAL 16-14 AWG INSULKRIMP, 200 SERIES			
MOLEX INCORPORATED			
MATERIAL NO. SEE CHART	DRAWING NO. SD-19142-001	SHEET NO.	
THIS DRAWING CONTAINS INFORMATION THAT IS PROPRIETARY TO MOLEX INCORPORATED AND SHOULD NOT BE USED WITHOUT WRITTEN PERMISSION.			SIZE B