



Chipsmall Limited consists of a professional team with an average of over 10 year of expertise in the distribution of electronic components. Based in Hongkong, we have already established firm and mutual-benefit business relationships with customers from,Europe,America and south Asia,supplying obsolete and hard-to-find components to meet their specific needs.

With the principle of “Quality Parts,Customers Priority,Honest Operation,and Considerate Service”,our business mainly focus on the distribution of electronic components. Line cards we deal with include Microchip,ALPS,ROHM,Xilinx,Pulse,ON,Everlight and Freescale. Main products comprise IC,Modules,Potentiometer,IC Socket,Relay,Connector.Our parts cover such applications as commercial,industrial, and automotives areas.

We are looking forward to setting up business relationship with you and hope to provide you with the best service and solution. Let us make a better world for our industry!



Contact us

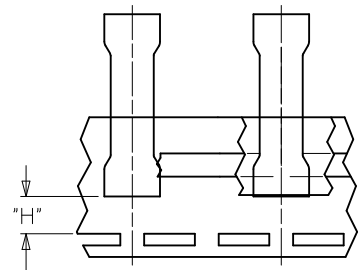
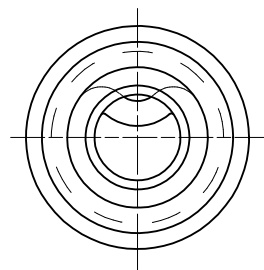
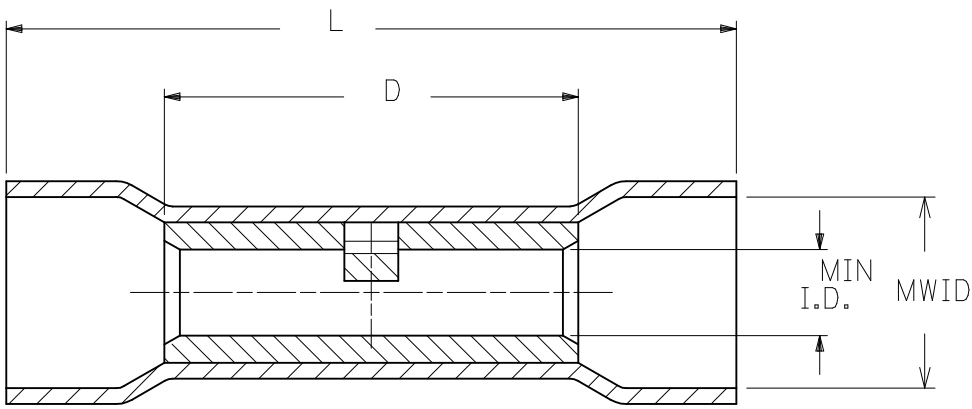
Tel: +86-755-8981 8866 Fax: +86-755-8427 6832

Email & Skype: info@chipsmall.com Web: www.chipsmall.com

Address: A1208, Overseas Decoration Building, #122 Zhenhua RD., Futian, Shenzhen, China



10	9	8	7	6	5	4	3	2	1	
MATERIAL NO. LOOSE PIECE	ENGINEERING NUMBER LOOSE	MATERIAL NO. TAPE MOUNTED	ENGINEERING NUMBER TAPE	WIRE AWG	INSULATION COLOR	I.D. MIN.	Ⓢ MWID	"D" MAX.	"L" MAX.	"H" ±.03/0.8
191540041	D-654X	191540042	D-654XT	8	RED	.165/4.19	.33/8.3	.864/21.95	1.510/38.35	.30/7.6
191540045	E-662X	-	-	6	BLUE	.230/5.84	.44/11.2	1.045/26.54	1.855/47.12	-
191540048	F-664X	-	-	4	YELLOW	.277/7.04	.60/15.3	1.155/29.34	2.036/51.71	-
191540049	G-672X	-	-	2	RED	.357/9.07	.65/16.5	1.280/32.51	2.277/57.84	-



Ⓢ PARTS ON TAPE

- NOTES:
- CONNECTOR
MATERIAL: COPPER
PLATING: MATTE TIN
 - INSULATION
MATERIAL: PVC
COLOR: SEE CHART
 - ALL PARTS ARE ROHS COMPLIANT.
 - MWID = MAXIMUM WIRE INSULATION DIAMETER

FLARE ID. UNITS EC NO: WNA2011-0440 DRW: MATHRODAHL 2011/03/25 CHKD: JMACNEIL 2011/03/25 APPR: JMACNEIL 2011/04/27	QUALITY SYMBOLS ▽=0 ▽7=0	GENERAL TOLERANCES (UNLESS SPECIFIED) <table border="1"> <thead> <tr> <th></th> <th>mm</th> <th>INCH</th> </tr> </thead> <tbody> <tr> <td>4 PLACES</td> <td>±---</td> <td>±---</td> </tr> <tr> <td>3 PLACES</td> <td>±---</td> <td>±---</td> </tr> <tr> <td>2 PLACES</td> <td>±---</td> <td>±---</td> </tr> <tr> <td>1 PLACE</td> <td>±---</td> <td>±---</td> </tr> <tr> <td colspan="3">ANGULAR ±---°</td> </tr> </tbody> </table>		mm	INCH	4 PLACES	±---	±---	3 PLACES	±---	±---	2 PLACES	±---	±---	1 PLACE	±---	±---	ANGULAR ±---°			DIMENSION STYLE IN/MM Ⓢ	SCALE ---	DESIGN UNITS INCH	THIRD ANGLE PROJECTION
		mm	INCH																					
	4 PLACES	±---	±---																					
	3 PLACES	±---	±---																					
2 PLACES	±---	±---																						
1 PLACE	±---	±---																						
ANGULAR ±---°																								
DRAWN BY RCM	DATE 1995/11/28	CHECKED BY RWD	DATE 1995/11/28	TITLE BUTT CONNECTOR, SEAMLESS, INSULKRIMP																				
APPROVED BY RWD	DATE 1995/11/28	MATERIAL NO. SEE CHART			DOCUMENT NO. SD-19154-004	SHEET NO. 1 OF 1																		
DRAFT WHERE APPLICABLE MUST REMAIN WITHIN DIMENSIONS							THIS DRAWING CONTAINS INFORMATION THAT IS PROPRIETARY TO MOLEX INCORPORATED AND SHOULD NOT BE USED WITHOUT WRITTEN PERMISSION																	