



Chipsmall Limited consists of a professional team with an average of over 10 year of expertise in the distribution of electronic components. Based in Hongkong, we have already established firm and mutual-benefit business relationships with customers from,Europe,America and south Asia,supplying obsolete and hard-to-find components to meet their specific needs.

With the principle of “Quality Parts,Customers Priority,Honest Operation,and Considerate Service”,our business mainly focus on the distribution of electronic components. Line cards we deal with include Microchip,ALPS,ROHM,Xilinx,Pulse,ON,Everlight and Freescale. Main products comprise IC,Modules,Potentiometer,IC Socket,Relay,Connector.Our parts cover such applications as commercial,industrial, and automotives areas.

We are looking forward to setting up business relationship with you and hope to provide you with the best service and solution. Let us make a better world for our industry!



Contact us

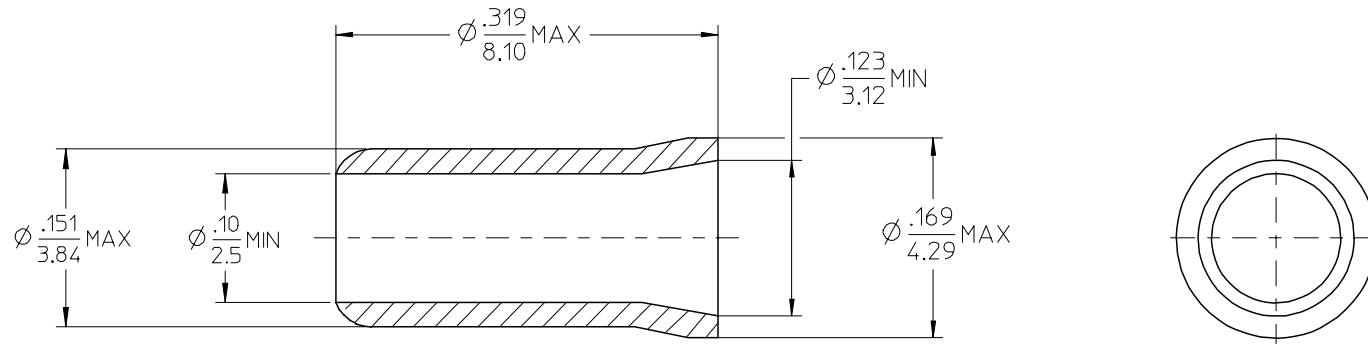
Tel: +86-755-8981 8866 Fax: +86-755-8427 6832

Email & Skype: info@chipsmall.com Web: www.chipsmall.com

Address: A1208, Overseas Decoration Building, #122 Zhenhua RD., Futian, Shenzhen, China



| | | |
|-----------------|--------------------|-------------------------|
| MATERIAL NUMBER | ENGINEERING NUMBER | DESCRIPTION |
| 191600022 | CE-2212 | LOOSE PIECE |
| 191600146 | CE-2212 MC50 | STANDARD BAG OF 100 PCS |



SALES DRAWING

NOTE(S):

1. MATERIAL: COPPER (.020/0.51).
2. PLATING: ELECTROPLATE TIN.
3. ALL DIMENSIONS IN INCHES/(MM).
WIRE SIZES: 22-12 AWG
0.34-4.0 MM

| | | | | | | | |
|---|-------------------------------|---------------------------------------|---|--------------------|---|--------------|------------------------|
| REL. TO W.MANAGER EC NO: ETC2005-0078 DRAWN: DMYRICK 2004/10/28 CHKD: RDEROSS 2004/10/28 APPR: RDEROSS 2004/10/29 | QUALITY SYMBOLS ▽=0 ▽=0 | GENERAL TOLERANCES (UNLESS SPECIFIED) | | DIMENSION STYLE | SCALE | DESIGN UNITS | THIRD ANGLE PROJECTION |
| | | mm | INCH | IN/MM | 10:1 | INCH | |
| | | 4 PLACES ± --- | ± --- | DRAWN BY DATE | TITLE | | |
| | | 3 PLACES ± --- | ± --- | DMYRICK 2004/10/28 | INSERT CLOSED-END CONNECTOR 22-12 AWG | | |
| 2 PLACES ± --- | ± --- | CHECKED BY DATE | MOLEX INCORPORATED | | | | |
| 1 PLACE ± --- | ± --- | RDEROSS 2004/10/28 | MATERIAL NO. DOCUMENT NO. | | | | |
| ANGULAR ± ---° | | APPROVED BY DATE | SD-19160-009 | | | | |
| | | RDEROSS 2004/10/28 | SEE CHART | | | | |
| | | | SHEET NO. 1 OF 1 | | | | |
| | | | DRAFT WHERE APPLICABLE MUST REMAIN WITHIN DIMENSIONS | | | | |
| | | | THIS DRAWING CONTAINS INFORMATION THAT IS PROPRIETARY TO MOLEX INCORPORATED AND SHOULD NOT BE USED WITHOUT WRITTEN PERMISSION | | | | |