



Chipsmall Limited consists of a professional team with an average of over 10 year of expertise in the distribution of electronic components. Based in Hongkong, we have already established firm and mutual-benefit business relationships with customers from,Europe,America and south Asia,supplying obsolete and hard-to-find components to meet their specific needs.

With the principle of “Quality Parts,Customers Priority,Honest Operation,and Considerate Service”,our business mainly focus on the distribution of electronic components. Line cards we deal with include Microchip,ALPS,ROHM,Xilinx,Pulse,ON,Everlight and Freescale. Main products comprise IC,Modules,Potentiometer,IC Socket,Relay,Connector.Our parts cover such applications as commercial,industrial, and automotives areas.

We are looking forward to setting up business relationship with you and hope to provide you with the best service and solution. Let us make a better world for our industry!



## Contact us

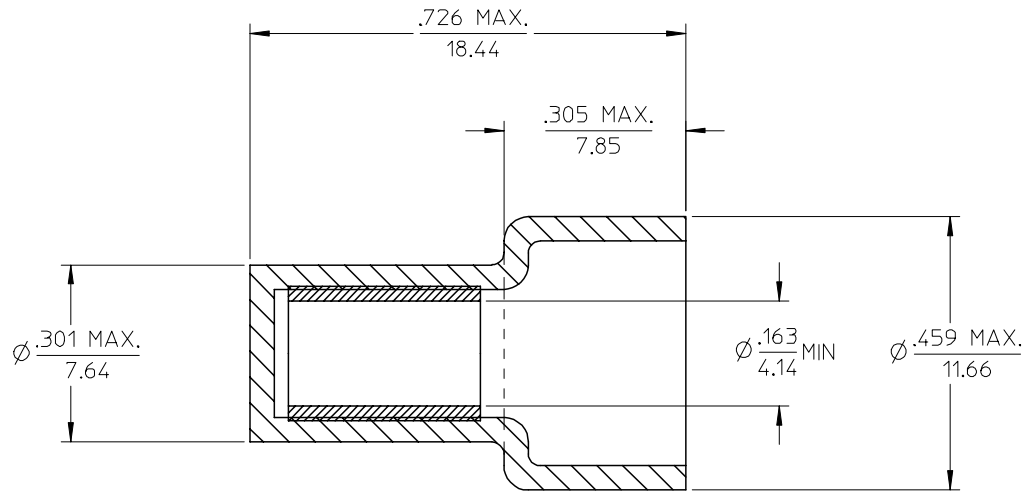
Tel: +86-755-8981 8866 Fax: +86-755-8427 6832

Email & Skype: info@chipsmall.com Web: www.chipsmall.com

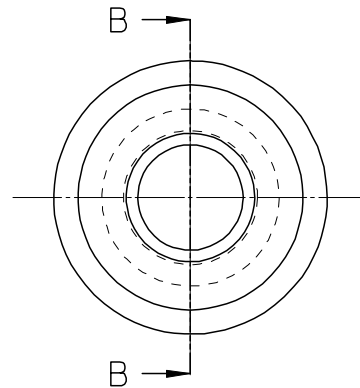
Address: A1208, Overseas Decoration Building, #122 Zhenhua RD., Futian, Shenzhen, China



MATERIAL NO.	ENG. NO.	DESCRIPTION
191600190	NC-1810	NC-1810, CLOSED END 18-10 AWG CONNECTOR ASSY.



SECTION B-B



SALES DRAWING

EC NO: ETC2003-0287 DRWN:DMYRICK 2003/05/02 CHKD:HEB 2003/05/05 APPR:RDEROSS 2003/05/05	QUALITY SYMBOLS	GENERAL TOLERANCES (UNLESS SPECIFIED)		SCALE 5:1	DESIGN UNITS INCH	THIRD ANGLE PROJECTION	REVISE ON CAD ONLY
	▽ = 0 ∇ = 0	4 PLACES	± ---	± ---	DIMENSION STYLE IN/MM		TITLE CLOSED END CONNECTOR ASSEMBLY, 18-10 AWG
		3 PLACES	± ---	± .005	DRAWN BY DLM	DATE 03/04/29	
		2 PLACES	± 0.13	± .01	CHECKED BY HEB	DATE 03/04/29	MATERIAL NO. (SEE CHART)
1 PLACE	± 0.25	± ---	ANGULAR ± 1/2°		MOLEX INCORPORATED SHEET NO. 1 OF 1		
DRAFT WHERE APPLICABLE		MUST REMAIN WITHIN DIMENSIONS		APPROVED BY RWD		DATE 03/04/29	THIS DRAWING CONTAINS INFORMATION THAT IS PROPRIETARY TO MOLEX INCORPORATED AND SHOULD NOT BE USED WITHOUT WRITTEN PERMISSION