



Chipsmall Limited consists of a professional team with an average of over 10 year of expertise in the distribution of electronic components. Based in Hongkong, we have already established firm and mutual-benefit business relationships with customers from,Europe,America and south Asia,supplying obsolete and hard-to-find components to meet their specific needs.

With the principle of "Quality Parts,Customers Priority,Honest Operation,and Considerate Service",our business mainly focus on the distribution of electronic components. Line cards we deal with include Microchip,ALPS,ROHM,Xilinx,Pulse,ON,Everlight and Freescale. Main products comprise IC,Modules,Potentiometer,IC Socket,Relay,Connector.Our parts cover such applications as commercial,industrial, and automotives areas.

We are looking forward to setting up business relationship with you and hope to provide you with the best service and solution. Let us make a better world for our industry!



## Contact us

Tel: +86-755-8981 8866 Fax: +86-755-8427 6832

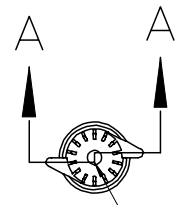
Email & Skype: info@chipsmall.com Web: www.chipsmall.com

Address: A1208, Overseas Decoration Building, #122 Zhenhua RD., Futian, Shenzhen, China

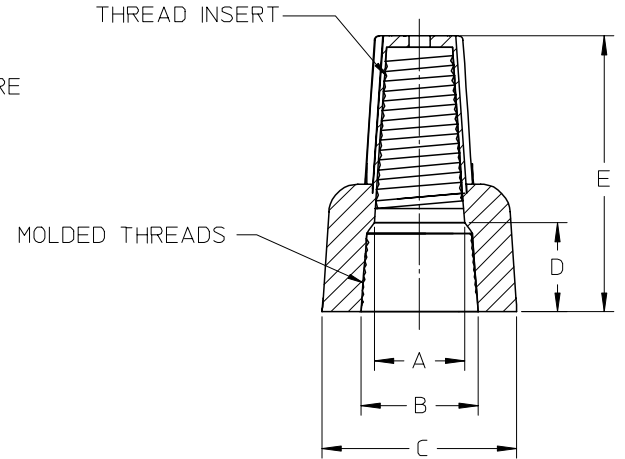
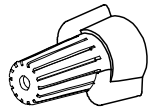
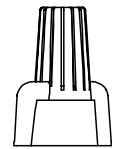


19160

MATERIAL NUMBER	ENGINEERING NUMBER	COLOR	WIRE RANGE	WIRE RANGE MIN.	WIRE RANGE MAX.	DIM A	DIM B	DIM C	DIM D	DIM E
191600195	WL-GRN	GREEN	14-10	2#14	3#12 & 1#14	.33/8.4	.48/12.2	.80/20.3	.37/9.4	1.13/28.7



THROUGH HOLE FOR GROUND WIRE



SECTION A-A  
SCALE 2:1

REF NOTES:  
1.) MOLEX UL FILE NO.: E198234  
2.) MOLEX CSA FILE NO.: PENDING

(B)

EC NO: DRWN: ASAYDEH 2005/11/03 CHKD: 2005/11/15 APPR: RDEROSS 2005/11/21 REV: B	QUALITY SYMBOLS ▽ = 0 ▽ = 0 DESCRIPTION	GENERAL TOLERANCES (UNLESS SPECIFIED)		SCALE 1:1	DESIGN UNITS INCH	THIRD ANGLE PROJECTION	REVISE ON CAD ONLY	
		4 PLACES ± --- ± ---	3 PLACES ± --- ± ---	DIMENSION STYLE IN/MM		TITLE WIRE NUT CONNECTORS GROUNDING TYPE		
		2 PLACES ± --- ± .02	1 PLACE ± 0.5 ± ---	DRAWN BY B.RUPERT	DATE 11/07/03	MOLEX MOLEX INCORPORATED		
		ANGULAR ± 1 °		CHECKED BY J.PAWLIC	DATE 11/08/03	MATERIAL NO. SEE CHART	DOCUMENT NO. SD-19160-002	SHEET NO. 1 OF 1
DRAFT WHERE APPLICABLE MUST REMAIN WITHIN DIMENSIONS		APPROVED BY R.DEROSS		DATE 11/09/03	THIS DRAWING CONTAINS INFORMATION THAT IS PROPRIETARY TO MOLEX INCORPORATED AND SHOULD NOT BE USED WITHOUT WRITTEN PERMISSION			