



Chipsmall Limited consists of a professional team with an average of over 10 year of expertise in the distribution of electronic components. Based in Hongkong, we have already established firm and mutual-benefit business relationships with customers from,Europe,America and south Asia,supplying obsolete and hard-to-find components to meet their specific needs.

With the principle of “Quality Parts,Customers Priority,Honest Operation,and Considerate Service”,our business mainly focus on the distribution of electronic components. Line cards we deal with include Microchip,ALPS,ROHM,Xilinx,Pulse,ON,Everlight and Freescale. Main products comprise IC,Modules,Potentiometer,IC Socket,Relay,Connector.Our parts cover such applications as commercial,industrial, and automotives areas.

We are looking forward to setting up business relationship with you and hope to provide you with the best service and solution. Let us make a better world for our industry!



Contact us

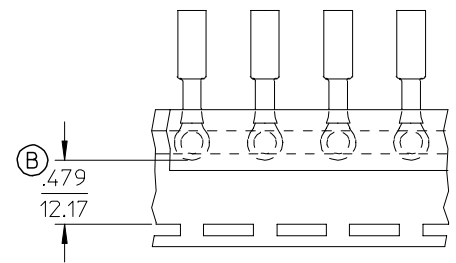
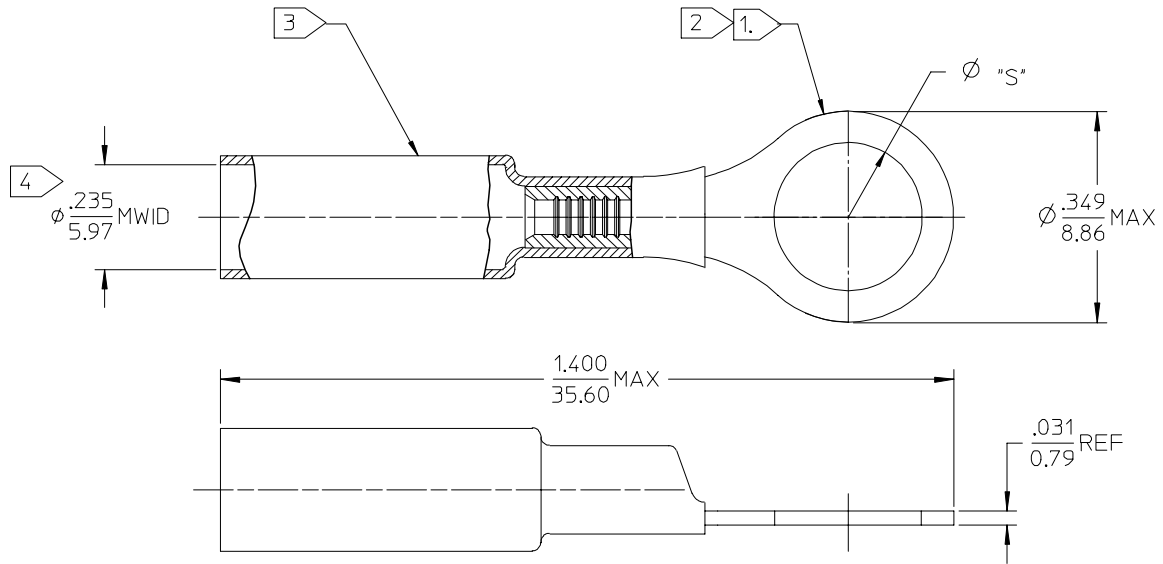
Tel: +86-755-8981 8866 Fax: +86-755-8427 6832

Email & Skype: info@chipsmall.com Web: www.chipsmall.com

Address: A1208, Overseas Decoration Building, #122 Zhenhua RD., Futian, Shenzhen, China



MATERIAL NUMBER	ENGINEERING NUMBER	MATERIAL NUMBER ON TAPE	ENGINEERING NUMBER	STUD SIZE	"S" ±.005/0.03
191640035	SB-239-04	---	---	#4	.119/3.02
191640036	SB-239-06	---	---	#6	.146/3.71
191640037	SB-239-08	---	---	#8	.173/4.39
191640038	SB-239-10	191640313	SB-239-10T	#10	.198/5.03



PARTS ON TAPE

SALES DRAWING

NOTES:

- 1. MATERIAL: COPPER ALLOY,
- 2. FINISH: ELECTRO TIN PLATE.
- 3. INSULATION MATERIAL: HEAT SHRINKABLE TUBING WITH HOTMELT ADHESIVE INNER LINER. COLOR: BLUE.
- 4. MWID = MAXIMUM WIRE INSULATION DIAMETER.

DIM: .479 WAS_550 EC NO: ETC2005-02/12 DRWN: DMYRICK 2005/06/20 CHKD: RDEROSS 2005/06/21 APPR: RDEROSS 2005/06/21	QUALITY SYMBOLS	GENERAL TOLERANCES (UNLESS SPECIFIED)	SCALE 2:1	DESIGN UNITS INCH	THIRD ANGLE PROJECTION	REVISE ON CAD ONLY															
	DESCRIPTION ▼ = 0 ▽ = 0	<table border="1"> <thead> <tr> <th></th> <th>mm</th> <th>INCH</th> </tr> </thead> <tbody> <tr> <td>4 PLACES</td> <td>±---</td> <td>±---</td> </tr> <tr> <td>3 PLACES</td> <td>±---</td> <td>±---</td> </tr> <tr> <td>2 PLACES</td> <td>±---</td> <td>±---</td> </tr> <tr> <td>1 PLACE</td> <td>±---</td> <td>±---</td> </tr> </tbody> </table>		mm	INCH	4 PLACES	±---	±---	3 PLACES	±---	±---	2 PLACES	±---	±---	1 PLACE	±---	±---	DIMENSION STYLE IN/MM	TITLE	RING TONGUE TERMINAL PERMA-SEAL NIAC 16-14 AWG	
			mm	INCH																	
		4 PLACES	±---	±---																	
3 PLACES	±---	±---																			
2 PLACES	±---	±---																			
1 PLACE	±---	±---																			
DRAFT WHERE APPLICABLE	DRAWN BY DATE ENDERLE 2004/06/21	CHECKED BY DATE BEITZEL 2004/06/21	MOLEX INCORPORATED																		
MUST REMAIN WITHIN DIMENSIONS	APPROVED BY DATE DEROSS 2004/06/21	MATERIAL NO. SEE CHART	DOCUMENT NO. SD-19164-067	SHEET NO. 1 OF 1																	

THIS DRAWING CONTAINS INFORMATION THAT IS PROPRIETARY TO MOLEX INCORPORATED AND SHOULD NOT BE USED WITHOUT WRITTEN PERMISSION