



Chipsmall Limited consists of a professional team with an average of over 10 year of expertise in the distribution of electronic components. Based in Hongkong, we have already established firm and mutual-benefit business relationships with customers from,Europe,America and south Asia,supplying obsolete and hard-to-find components to meet their specific needs.

With the principle of “Quality Parts,Customers Priority,Honest Operation,and Considerate Service”,our business mainly focus on the distribution of electronic components. Line cards we deal with include Microchip,ALPS,ROHM,Xilinx,Pulse,ON,Everlight and Freescale. Main products comprise IC,Modules,Potentiometer,IC Socket,Relay,Connector.Our parts cover such applications as commercial,industrial, and automotives areas.

We are looking forward to setting up business relationship with you and hope to provide you with the best service and solution. Let us make a better world for our industry!



Contact us

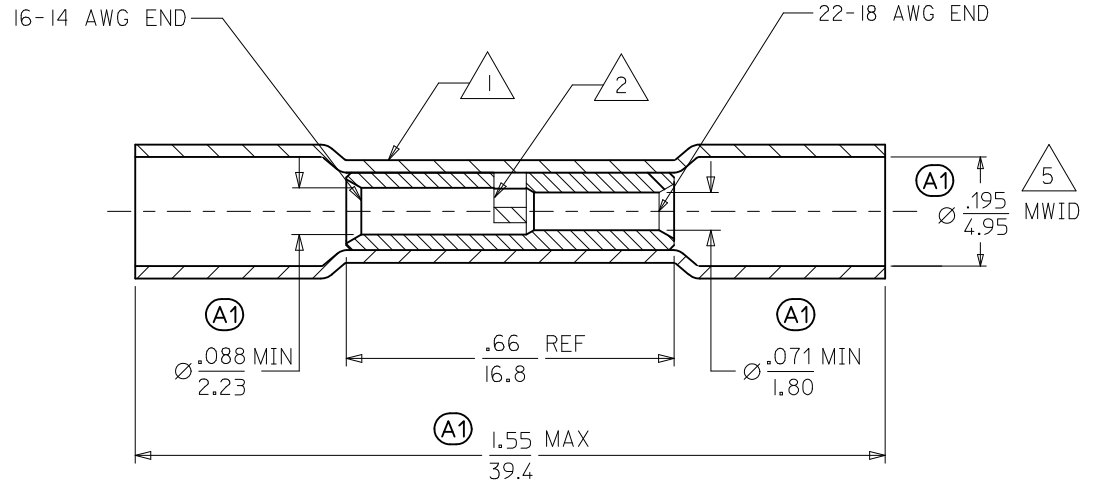
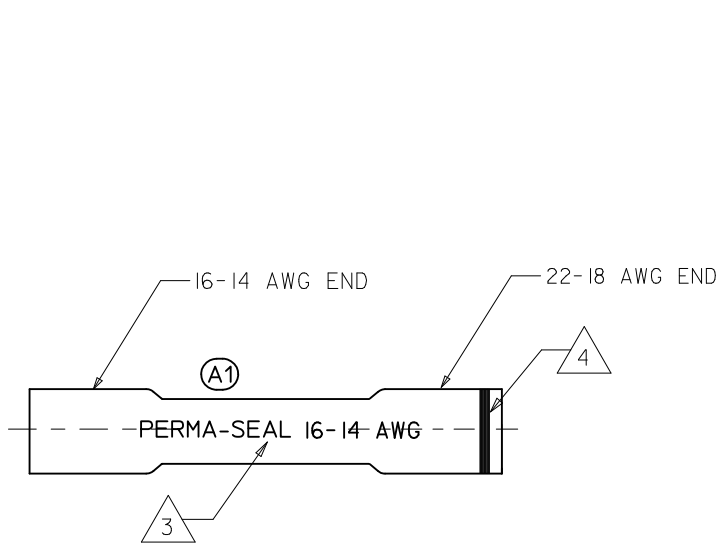
Tel: +86-755-8981 8866 Fax: +86-755-8427 6832

Email & Skype: info@chipsmall.com Web: www.chipsmall.com

Address: A1208, Overseas Decoration Building, #122 Zhenhua RD., Futian, Shenzhen, China



| | |
|-----------------|--------------------|
| MATERIAL NUMBER | ENGINEERING NUMBER |
| 191640043 | SBA-631 |



NOTES

- (1) INSULATION MATERIAL: HEAT SHRINKABLE TUBING WITH HOTMELT INNER LINER, COLOR BLUE.
- (2) SEAMLESS TIN PLATED COPPER TERMINAL.
- (3) PRINTED TEXT IN BLACK .06 HIGH AS SHOWN. DIRECTION CAN BE REVERSED DUE TO MFG PROCESSES.
- (4) RED STRIPE ORIENTATED ON 22-18 AWG END OF CONNECTOR.
- (5) MWID-MAXIMUM WIRE INSULATION DIAMETER.
- (A1) 6. PART IS ROHS COMPLIANT.

SALES DRAWING

| | | | | | | | | |
|----------------------------------------------------------------------------------------------------------------------------------|--------------------------|------------------------------------------------------|--------------------------------------------------------------------------------------------------------------------------|-----------------|-----------|--------------|-----------------------------------------------------------------------------------------|---------------------------------------------------------------------|
| UPDATE TOLERANCES EC NO: WNA2012-0117 DRW: NETHRODAHL 2011/08/25 CHKD: JMACNEIL 2011/08/25 APPR: JMACNEIL 2011/08/26 | DESCRIPTION REV A1 | QUALITY SYMBOLS | GENERAL TOLERANCES (UNLESS SPECIFIED) | DIMENSION STYLE | SCALE | DESIGN UNITS | THIRD ANGLE PROJECTION | |
| | | ▼=0 ∇=0 | mm INCH 4 PLACES ± --- ± --- 3 PLACES ± --- ± --- 2 PLACES ± --- ± --- 1 PLACE ± --- ± --- ANGULAR ± ---° | IN/MM | --- | INCH | DRAWN BY DATE RCM 1991/10/28 CHECKED BY DATE JM 1991/10/28 APPROVED BY DATE | TITLE STEP DOWN BUTT SPLICE PERMA-SEAL 16-14 AWG 22-18 AWG |
| | | DRAFT WHERE APPLICABLE MUST REMAIN WITHIN DIMENSIONS | MATERIAL NO. | DOCUMENT NO. | SHEET NO. | | | |
| | | SEE CHART | SD-19164-029 | 1 OF 1 | | | | |
| THIS DRAWING CONTAINS INFORMATION THAT IS PROPRIETARY TO MOLEX INCORPORATED AND SHOULD NOT BE USED WITHOUT WRITTEN PERMISSION | | | | | | | | |