



Chipsmall Limited consists of a professional team with an average of over 10 year of expertise in the distribution of electronic components. Based in Hongkong, we have already established firm and mutual-benefit business relationships with customers from,Europe,America and south Asia,supplying obsolete and hard-to-find components to meet their specific needs.

With the principle of "Quality Parts,Customers Priority,Honest Operation,and Considerate Service",our business mainly focus on the distribution of electronic components. Line cards we deal with include Microchip,ALPS,ROHM,Xilinx,Pulse,ON,Everlight and Freescale. Main products comprise IC,Modules,Potentiometer,IC Socket,Relay,Connector.Our parts cover such applications as commercial,industrial, and automotives areas.

We are looking forward to setting up business relationship with you and hope to provide you with the best service and solution. Let us make a better world for our industry!



## Contact us

Tel: +86-755-8981 8866 Fax: +86-755-8427 6832

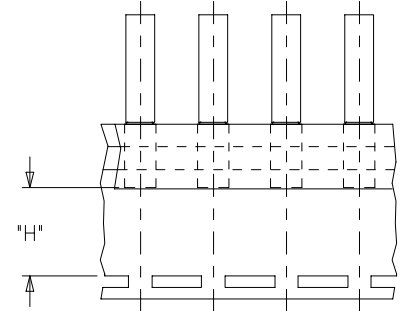
Email & Skype: info@chipsmall.com Web: www.chipsmall.com

Address: A1208, Overseas Decoration Building, #122 Zhenhua RD., Futian, Shenzhen, China

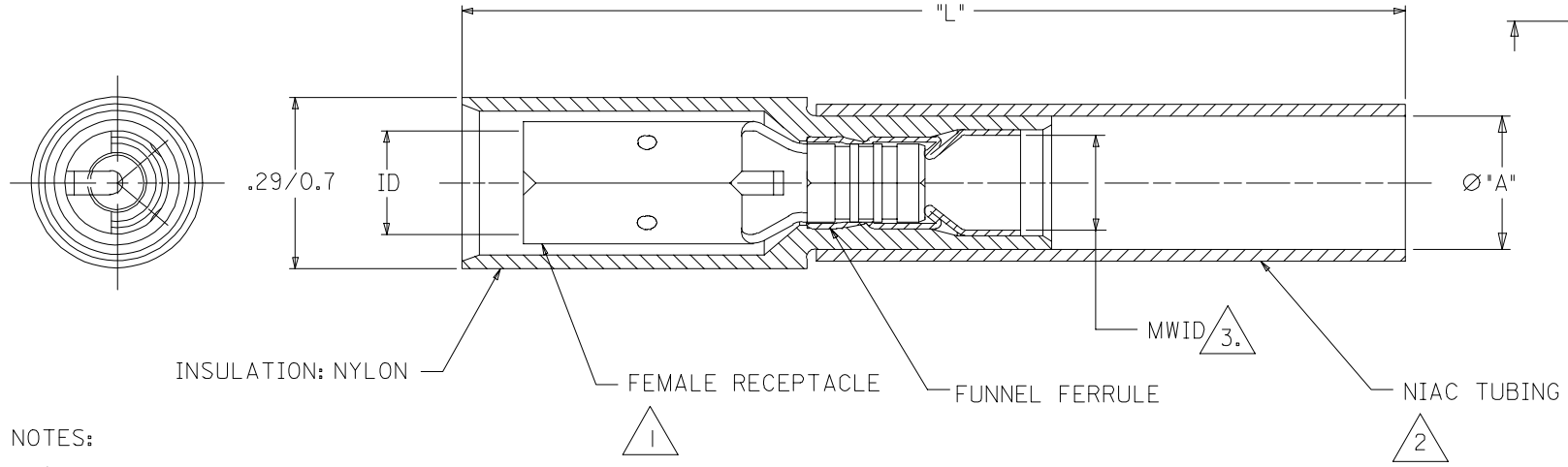


MATERIAL NUMBER	ENGINEERING NUMBER	MATERIAL NUMBER ON TAPE	ENGINEERING NUMBER ON TAPE	AWG	COLOR CODE	MWID	"ID" MIN	"L" MAX	"A" MIN	H ±.01/.3
191640052	SBRA-8156N	N/A	N/A	22-18	RED	.13/3.3	.156/3.96	1.58/40.1	.235/5.97	N/A
191640053	SBRA-8180N	N/A	N/A	22-18	RED	.13/3.3	.180/4.57	1.60/40.6	.235/5.97	N/A
191640054	SBRB-8156N	191640414	SBRB-8156NT	16-14	BLUE	.15/3.81	.156/3.96	1.60/40.6	.230/5.84	.39/9.9
191640055	SBRB-8180N	N/A	N/A	16-14	BLUE	.15/3.81	.180/4.57	1.60/40.6	.230/5.84	N/A

Ⓧ



PARTS ON TAPE



INSULATION: NYLON

FEMALE RECEPTACLE

FUNNEL FERRULE

NIAC TUBING

NOTES:

- 1. TERMINAL MATERIAL: COPPER PLATING: TIN
- 2. INSULATION MATERIAL: HEAT SHRINKABLE NIAC TUBING W/ HOT-MELT ADHESIVE INNER LINER
- 3. MWID= MAXIMUM WIRE INSULATION DIAMETER

CHANGED "A" DIM EC NO: ETC2006-0154 DRWN: ASAYDEH 2005/12/21 CHKD: JLOMASTR 2005/12/21 APPR: JPWALICK 2005/12/21	QUALITY SYMBOLS	GENERAL TOLERANCES (UNLESS SPECIFIED)	SCALE 1:1	DESIGN UNITS INCH	THIRD ANGLE PROJECTION	REVISE ON CAD ONLY
	DESCRIPTION	mm INCH	DIMENSION STYLE IN/MM		TITLE	
	▼ = 0	4 PLACES ± --- ± ---	DRAWN BY DATE BENDERLE 2004/09/08		FULLY INSULATED AVIKRIMP PERMA-SEAL BULLET RECEPT .156/3.96-.180/4.57 DIA.	
	▽ = 0	3 PLACES ± --- ± ---	CHECKED BY DATE R DEROSS 2004/09/08		MOLEX INCORPORATED	
	2 PLACES ± .25 ± .01	APPROVED BY DATE R DEROSS 2004/09/08		MATERIAL NO. SEE CHART	DOCUMENT NO. SD-19164-035	SHEET NO. 1 OF 1
	1 PLACE ± .5 ± .02	DRAFT WHERE APPLICABLE MUST REMAIN WITHIN DIMENSIONS		THIS DRAWING CONTAINS INFORMATION THAT IS PROPRIETARY TO MOLEX INCORPORATED AND SHOULD NOT BE USED WITHOUT WRITTEN PERMISSION		
	ANGULAR ± .5 °					