



Chipsmall Limited consists of a professional team with an average of over 10 year of expertise in the distribution of electronic components. Based in Hongkong, we have already established firm and mutual-benefit business relationships with customers from,Europe,America and south Asia,supplying obsolete and hard-to-find components to meet their specific needs.

With the principle of “Quality Parts,Customers Priority,Honest Operation,and Considerate Service”,our business mainly focus on the distribution of electronic components. Line cards we deal with include Microchip,ALPS,ROHM,Xilinx,Pulse,ON,Everlight and Freescale. Main products comprise IC,Modules,Potentiometer,IC Socket,Relay,Connector.Our parts cover such applications as commercial,industrial, and automotives areas.

We are looking forward to setting up business relationship with you and hope to provide you with the best service and solution. Let us make a better world for our industry!



## Contact us

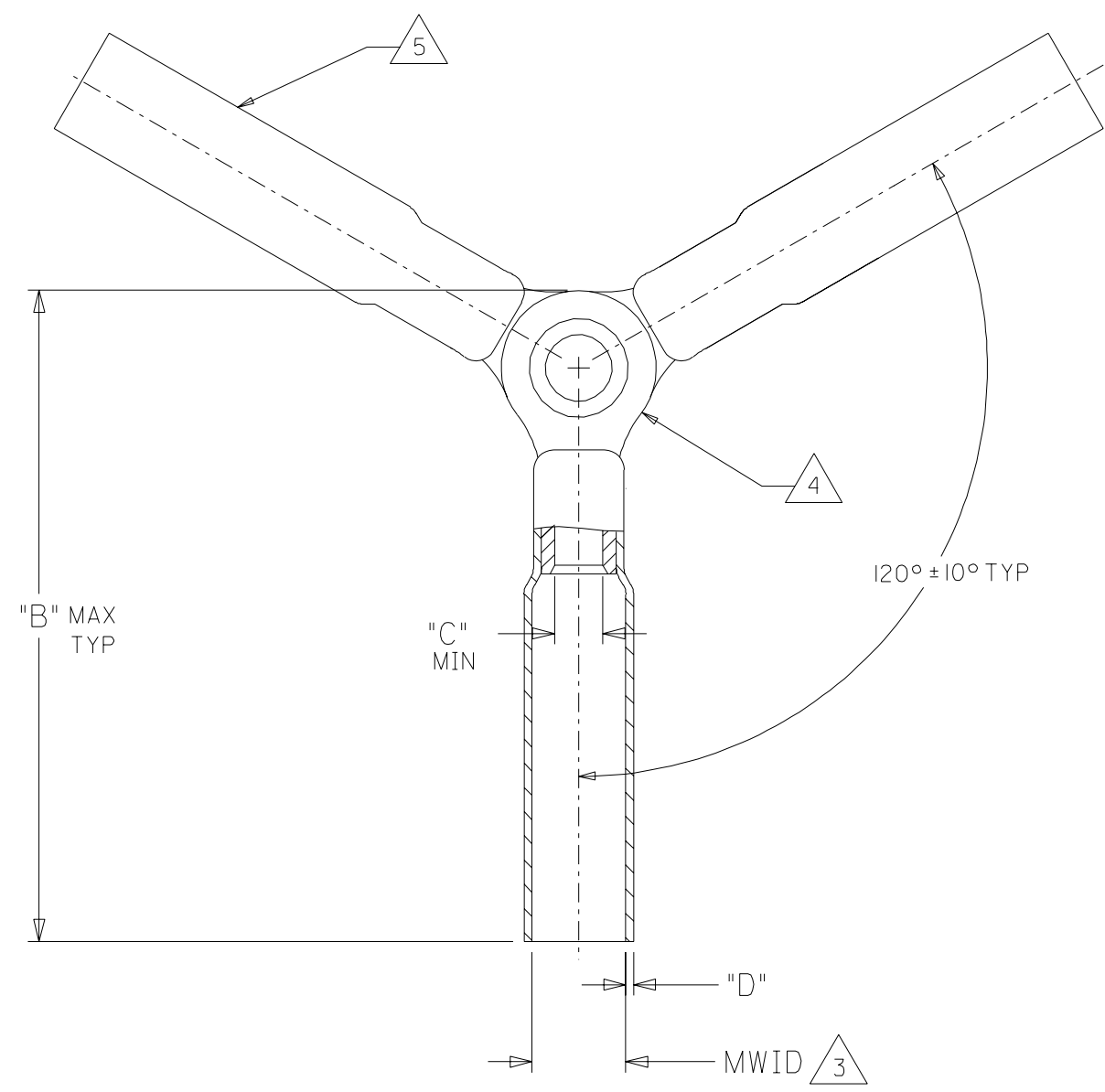
Tel: +86-755-8981 8866 Fax: +86-755-8427 6832

Email & Skype: info@chipsmall.com Web: www.chipsmall.com

Address: A1208, Overseas Decoration Building, #122 Zhenhua RD., Futian, Shenzhen, China



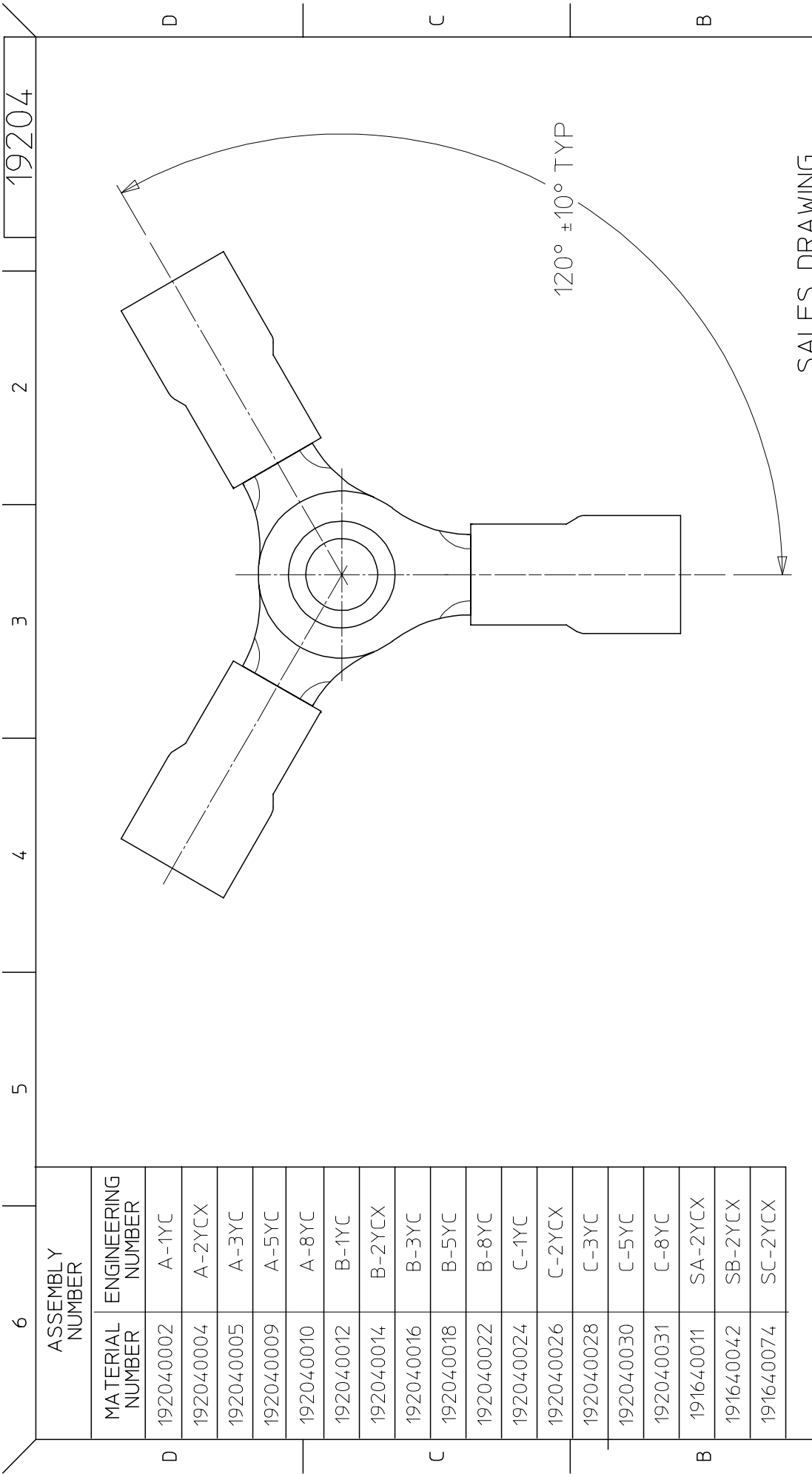
MATERIAL NUMBER	ENGINEERING NUMBER	WIRE SIZE AWG	WIRE SIZE MM SQ.	PERMA-SEAL COLOR	MWID	B MAX	C MIN	D
191640011	SA-2YCX	22-18	.25-1.5	RED	.215/5.46	1.25/31.8	.62/1.57	.025/0.64
191640042	SB-2YCX	16-14	1.0-2.5	BLUE	.235/5.97	1.24/31.5	1.24/31.5	.029/0.74
191640074	SC-2YCX	12-10	4.0-6.0	YELLOW	.310/7.62	1.34/34.0	.128/3.25	.029/0.74



- NOTES;
1. CONNECTION BETWEEN TERMINALS TO BE TIGHT.
  2. RIVET NOT TO BE SPLIT.
  3. MWID = MAXIMUM WIRE INSULATION DIAMETER.
  4. TERMINAL MATERIAL: COPPER ALLOY.
  5. INSULATION MATERIAL: HEAT SHRINKABLE TUBING WITH HOTMELT ADHESIVE INNER LINER. COLOR SEE CHART.

SALES DRAWING

NEW RELEASE EC NO. ETC2003-0136 DRWN: BRE 03/03/20 CHK: HEB 03/03/20 APPR: RWD 03/03/20	QUALITY SYMBOLS	GENERAL TOLERANCES: (UNLESS SPECIFIED)		SCALE NO: NE	DESIGN UNITS	THIRD ANGLE PROJECTION	DIMENSIONS:	SHT	REV
	MAJOR = 0	mm	INCH	mm	INCH	mm ONLY	mm INCH		REVISE ON CAD ONLY
	CRITICAL = 0	4 PLACES ±0.	±.	DRAWN BY & DATE	TITLE: 3-WAY NIAC CONNECTOR ASSEMBLY				
		3 PLACES ±0.	±.	CHECKED BY & DATE	MOLEX INCORPORATED				
	2 PLACES ±0.	±.	APPROVED BY & DATE	MATERIAL NO. DRAWING NO. SHEET NO.					
	1 PLACE ±0.	±.	RWD 15/11/15	SEE CHART SD-19164-051 1 OF 1					
	ANGULAR: ± °		CAD FILENAME	THIS DRAWING CONTAINS INFORMATION THAT IS PROPRIETARY TO MOLEX INCORPORATED AND SHOULD NOT BE USED WITHOUT WRITTEN PERMISSION.					
	DRAFT WHERE APPLICABLE MUST REMAIN WITHIN DIMENSIONS		E-19164-051 .DGN	SIZE B					



SALES DRAWING

19204

2

3

4

5

6

ASSEMBLY NUMBER	
MATERIAL NUMBER	ENGINEERING NUMBER
192040002	A-1YC
192040004	A-2YCX
192040005	A-3YC
192040009	A-5YC
192040010	A-8YC
192040012	B-1YC
192040014	B-2YCX
192040016	B-3YC
192040018	B-5YC
192040022	B-8YC
192040024	C-1YC
192040026	C-2YCX
192040028	C-3YC
192040030	C-5YC
192040031	C-8YC
191640011	SA-2YCX
191640042	SB-2YCX
191640074	SC-2YCX

WAS 65252-01C/-02C	EC NO: ETIC2003-0305	DRWN:DMYRCK 2003/05/16	CHKD:RWD 2003/05/16	APPR:RDEROSS 2003/05/16	DESCRIPTION	REV
					QUALITY SYMBOLS	
					▲ = 0	
					△ = 0	
					DRAFT WHERE APPLICABLE	
					MUST REMAIN WITHIN DIMENSIONS	
					APPROVED BY	
					RWD	03/05/14
					CHECKED BY	
					RWD	03/05/14
					DRAWN BY	
					RWD	03/05/14
					SCALE	
					NTS	
					DESIGN UNITS	
					INCH	
					DIMENSION STYLE	
					IN/MM	
					TITLE	
					3-WAY CONNECTOR ASSEMBLY	
					THIRD ANGLE PROJECTION	
					REVISE ON CAD ONLY	
					MATERIAL NO.	
					RWD	03/05/14
					DOCUMENT NO.	
					(SEE CHART)	SD-19204-001
					SHEET NO.	
					1 OF 1	