



Chipsmall Limited consists of a professional team with an average of over 10 year of expertise in the distribution of electronic components. Based in Hongkong, we have already established firm and mutual-benefit business relationships with customers from,Europe,America and south Asia,supplying obsolete and hard-to-find components to meet their specific needs.

With the principle of “Quality Parts,Customers Priority,Honest Operation,and Considerate Service”,our business mainly focus on the distribution of electronic components. Line cards we deal with include Microchip,ALPS,ROHM,Xilinx,Pulse,ON,Everlight and Freescale. Main products comprise IC,Modules,Potentiometer,IC Socket,Relay,Connector.Our parts cover such applications as commercial,industrial, and automotives areas.

We are looking forward to setting up business relationship with you and hope to provide you with the best service and solution. Let us make a better world for our industry!



Contact us

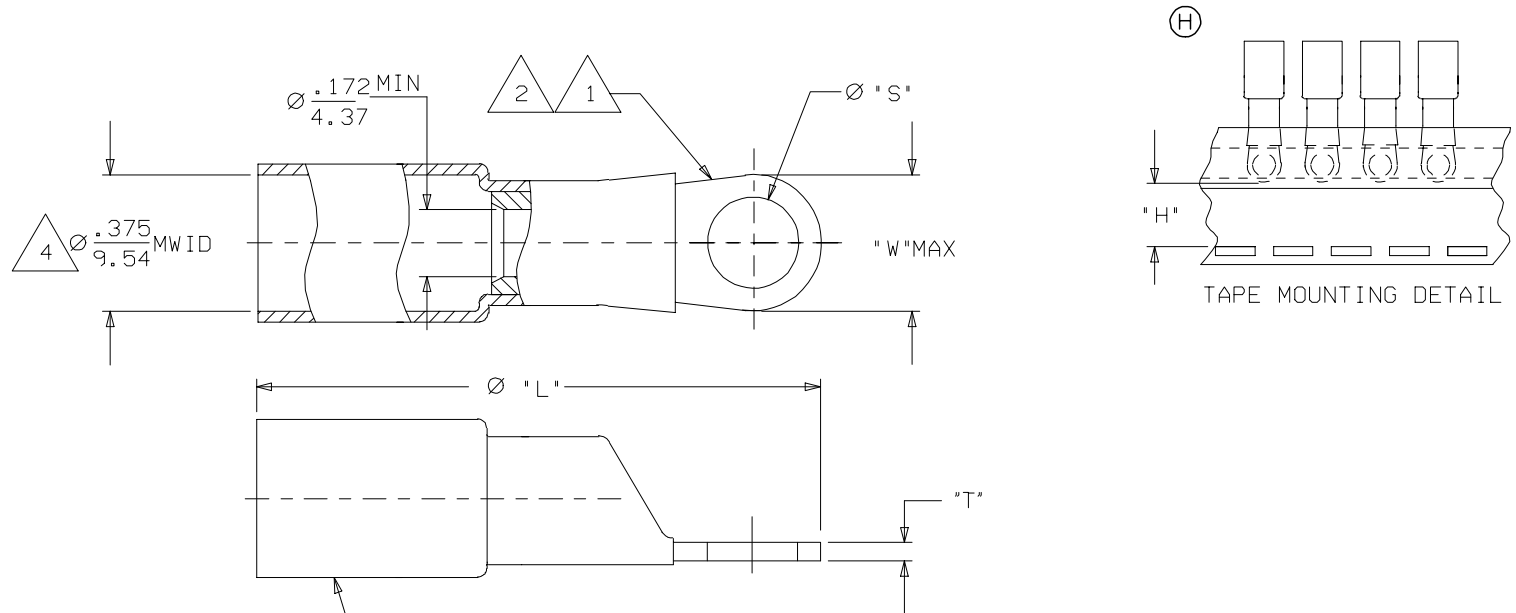
Tel: +86-755-8981 8866 Fax: +86-755-8427 6832

Email & Skype: info@chipsmall.com Web: www.chipsmall.com

Address: A1208, Overseas Decoration Building, #122 Zhenhua RD., Futian, Shenzhen, China



| MATERIAL NUMBER | ENGINEERING NUMBER | MATERIAL NUMBER ON TAPE | ENGINEERING NUMBER ON TAPE | "L" MAX | "S" ±.010 (0.25) | "W" MAX | "H" ±.010 (0.25) | "T" REF |
|-----------------|--------------------|-------------------------|----------------------------|-------------|------------------|------------|------------------|-----------|
| 191640889 | SD-656-08 | N/A | N/A | 1.60 (40.6) | .173 (4.39) | .38 (9.7) | N/A | .045/1.14 |
| 191640080 | SD-656-10 | N/A | N/A | 1.60 (40.6) | .214 (5.44) | .38 (9.7) | N/A | .045/1.14 |
| 191640081 | SD-651-14 | 191640603 | SD-651-14T | 1.79 (45.5) | .280 (7.11) | .60 (15.2) | .348 (8.84) | .045/1.14 |
| 191640083 | SD-651-56 | 191640605 | SD-651-56T | 1.79 (45.5) | .343 (8.71) | .60 (15.2) | .348 (8.84) | .045/1.14 |
| 191640082 | SD-652-38 | N/A | N/A | 2.05 (51.1) | .405 (10.29) | .82 (20.8) | N/A | .050/1.27 |
| 191640839 | SD-652-76 | N/A | N/A | 2.05 (52.1) | .468 (11.89) | .82 (20.8) | N/A | .050/1.27 |
| 191640457 | SD-652-12 | N/A | N/A | 2.05 (52.1) | .530 (13.46) | .82 (20.8) | N/A | .050/1.27 |



NOTE(S):

- 1 TERMINAL MATERIAL: COPPER ALLOY.
- 2 FINISH: ELECTRO TIN PLATE.
- 3 INSULATION MATERIAL: HEAT SHRINKABLE TUBING WITH HOTMELT ASHESIVE INNER LINER. COLOR: RED.
- 4 MWID - MAXIMUM WIRE INSULATION DIAMETER.
- (H) 5. ASSEMBLY IS ROHS COMPLIANT.

| | | | | | | |
|---|--|--|---|--------------------|---|------------------------|
| CHARTED DIM. T & ADDED ROHS EC NO: ETC2007-0019 DRW: NEHLE 2007/08/22 CHKD: JMACNEIL 2007/09/11 APPR: JMACNEIL 2007/09/19 | QUALITY SYMBOLS | GENERAL TOLERANCES (UNLESS SPECIFIED) | DIMENSION STYLE IN/MM | SCALE 4:1 | DESIGN UNITS INCH | THIRD ANGLE PROJECTION |
| | $\nabla=0$ $\nabla=0$ | mm INCH 4 PLACES ± --- ± --- 3 PLACES ± --- ± --- 2 PLACES ± --- ± --- 1 PLACE ± --- ± --- ANGULAR ± ---° | DRAWN BY DATE R DEROSS 2005/01/04 CHECKED BY DATE R DEROSS 2005/01/04 APPROVED BY DATE R DEROSS 2005/01/04 | TITLE | RING TONGUE TERMINAL PERMA-SEAL SD-600-SERIES 8 AWG | |
| | MATERIAL NO. SEE CHART DOCUMENT NO. SD-19164-023 | SHEET NO. 1 OF 1 | | MOLEX INCORPORATED | | |
| | DRAFT WHERE APPLICABLE MUST REMAIN WITHIN DIMENSIONS | | | | | |