



Chipsmall Limited consists of a professional team with an average of over 10 year of expertise in the distribution of electronic components. Based in Hongkong, we have already established firm and mutual-benefit business relationships with customers from,Europe,America and south Asia,supplying obsolete and hard-to-find components to meet their specific needs.

With the principle of “Quality Parts,Customers Priority,Honest Operation,and Considerate Service”,our business mainly focus on the distribution of electronic components. Line cards we deal with include Microchip,ALPS,ROHM,Xilinx,Pulse,ON,Everlight and Freescale. Main products comprise IC,Modules,Potentiometer,IC Socket,Relay,Connector.Our parts cover such applications as commercial,industrial, and automotives areas.

We are looking forward to setting up business relationship with you and hope to provide you with the best service and solution. Let us make a better world for our industry!



Contact us

Tel: +86-755-8981 8866 Fax: +86-755-8427 6832

Email & Skype: info@chipsmall.com Web: www.chipsmall.com

Address: A1208, Overseas Decoration Building, #122 Zhenhua RD., Futian, Shenzhen, China



6

5

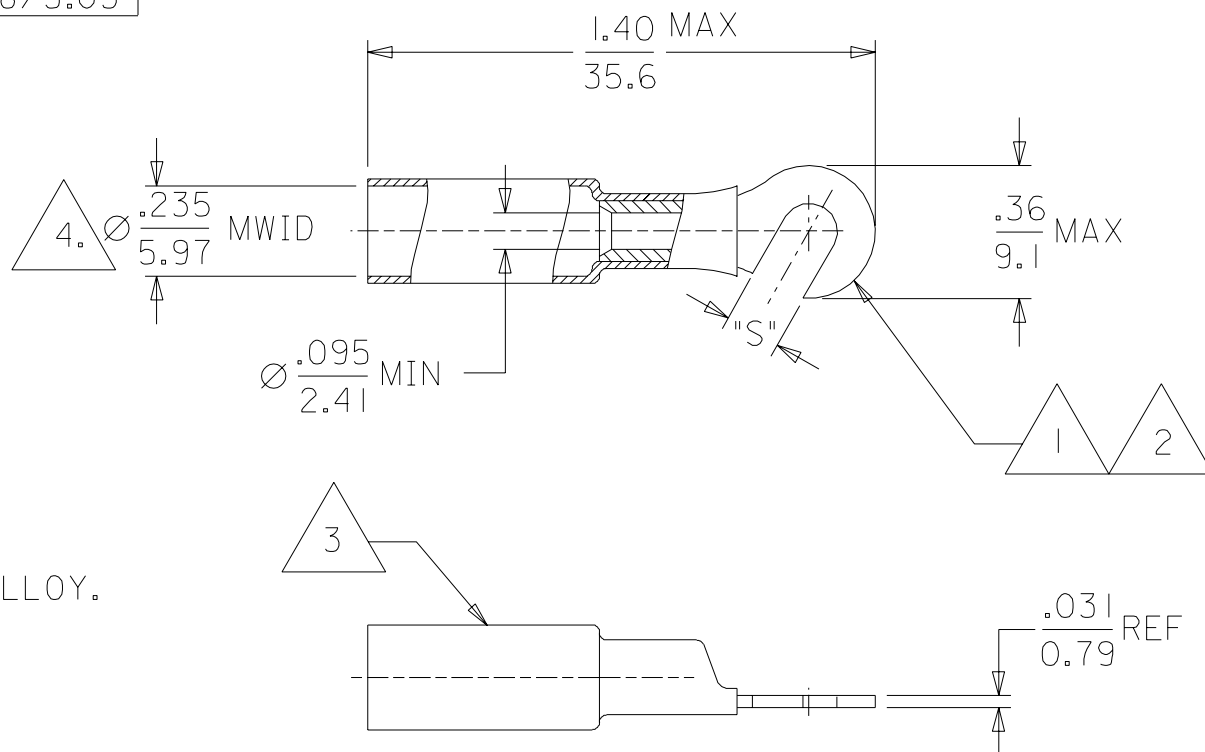
4

3

2

SD-19164-002

MATERIAL NO.	ENGINEERING NO.	"S" REF
191640141	SB-219-06	.146/3.71
191640142	SB-219-08	.173/4.39
191640021	SB-219-10	.198/5.03



NOTES:

1. TERMINAL MATERIAL: COPPER ALLOY.
2. FINISH: ELECTRO TIN PLATE.
3. INSULATOR MATERIAL: HEAT SHRINKABLE TUBING WITH HOTMELT ADHESIVE INNER LINER. COLOR: BLUE
4. MWID = MAXIMUM WIRE INSULATION DIAMETER.

CUSTOMER DRAWING

NEW RELEASE		EC NO. ETC2003-0071		DRWN: BRE 02/11/16		CHK: HEB 02/11/16		APPR: RWD 02/11/16		QUALITY SYMBOLS		GENERAL TOLERANCES: (UNLESS SPECIFIED)		SCALE 2:1		DESIGN UNITS		DIMENSIONS:		SHT		REV	
MAJOR		=0		CRITICAL		=0				mm		INCH		DRAWN BY & DATE		THIRD ANGLE PROJECTION		mm		INCH		mm ONLY	
4 PLACES		±0.		±.		DRAWN BY & DATE		BRE 02/09/05		TITLE: HOOK TONGUE TERMINAL		PERMA-SEAL		CHECKED BY & DATE		HEB 02/09/05		16-14 AWG		MATERIAL NO.		DRAWING NO.	
3 PLACES		±0.		±.005		APPROVED BY & DATE		RWD 02/09/05		MOLEX INCORPORATED		CAD FILENAME		19164002		DGN		SEE CHART		SD-19164-002		SHEET NO.	
2 PLACES		±0.13		±.01		ANGULAR: ±1/2°		DRAFT WHERE APPLICABLE MUST REMAIN WITHIN DIMENSIONS		THIS DRAWING CONTAINS INFORMATION THAT IS PROPRIETARY TO MOLEX INCORPORATED AND SHOULD NOT BE USED WITHOUT WRITTEN PERMISSION.		SIZE		A									
1 PLACE		±0.25		±.																			