



Chipsmall Limited consists of a professional team with an average of over 10 year of expertise in the distribution of electronic components. Based in Hongkong, we have already established firm and mutual-benefit business relationships with customers from,Europe,America and south Asia,supplying obsolete and hard-to-find components to meet their specific needs.

With the principle of “Quality Parts,Customers Priority,Honest Operation,and Considerate Service”,our business mainly focus on the distribution of electronic components. Line cards we deal with include Microchip,ALPS,ROHM,Xilinx,Pulse,ON,Everlight and Freescale. Main products comprise IC,Modules,Potentiometer,IC Socket,Relay,Connector.Our parts cover such applications as commercial,industrial, and automotives areas.

We are looking forward to setting up business relationship with you and hope to provide you with the best service and solution. Let us make a better world for our industry!



## Contact us

Tel: +86-755-8981 8866 Fax: +86-755-8427 6832

Email & Skype: info@chipsmall.com Web: www.chipsmall.com

Address: A1208, Overseas Decoration Building, #122 Zhenhua RD., Futian, Shenzhen, China



19204

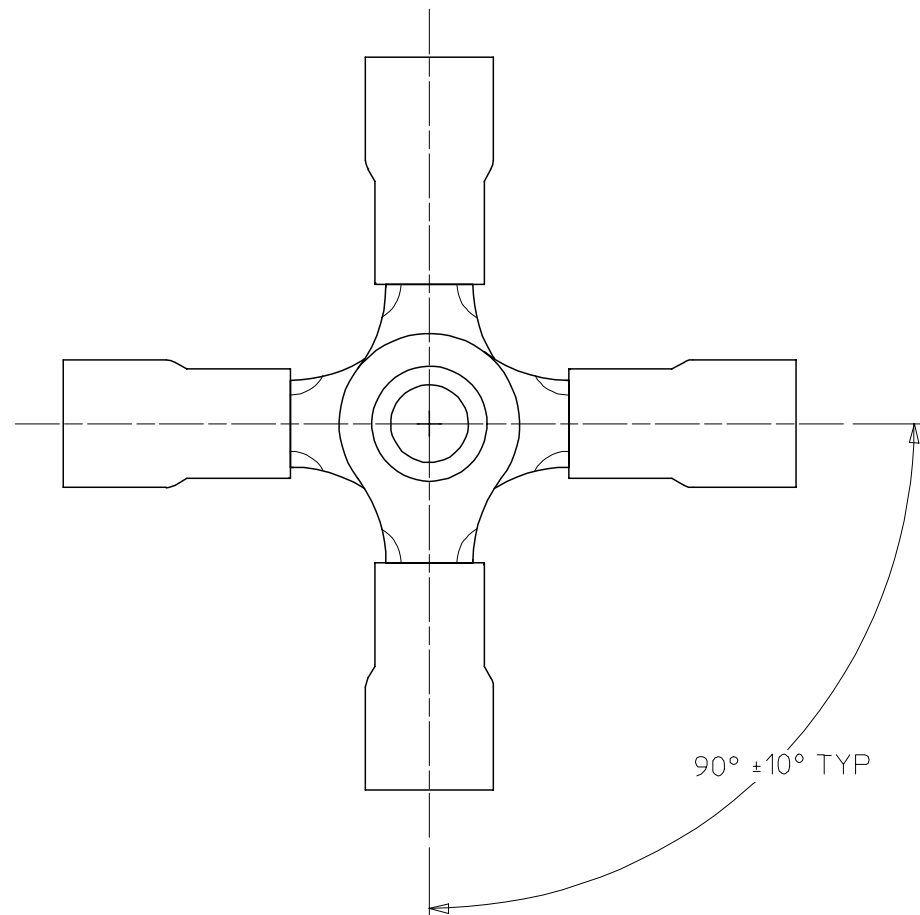
6

5

4

3

2



90° ±10° TYP

SALES DRAWING

D

C

B

A

D

C

B

A

ASSEMBLY NUMBER	
MATERIAL NUMBER	ENGINEERING NUMBER
192040001	A-1XC
192040003	A-2XCX
192040006	A-3XC
192040008	A-5XC
192040011	B-1XC
192040013	B-2XCX
192040015	B-3XC
192040017	B-5XC
192040021	B-8XC
192040023	C-1XC
192040025	C-2XCX
192040027	C-3XC
192040029	C-5XC
192040019	C-8XC
191640284	SA-2XCX
191640041	SB-2XCX
191640285	SC-2XCX

WAS 6525-01/C,-02/C EC NO: ETC2003-0305 DRWN: DMYRICK 2003/05/16 CHK'D: RWD 2003/05/16 APPR: RDEROSS 2003/05/16	QUALITY SYMBOLS	GENERAL TOLERANCES (UNLESS SPECIFIED)		SCALE NTS	DESIGN UNITS INCH	THIRD ANGLE PROJECTION	REVISE ON CAD ONLY																	
	- 0 - 0	<table border="1"> <thead> <tr> <th></th> <th>mm</th> <th>INCH</th> </tr> </thead> <tbody> <tr> <td>4 PLACES</td> <td>± ---</td> <td>± ---</td> </tr> <tr> <td>3 PLACES</td> <td>± ---</td> <td>± .005</td> </tr> <tr> <td>2 PLACES</td> <td>± 0.13</td> <td>± .01</td> </tr> <tr> <td>1 PLACE</td> <td>± 0.25</td> <td>± ---</td> </tr> </tbody> </table>		mm	INCH	4 PLACES	± ---	± ---	3 PLACES	± ---	± .005	2 PLACES	± 0.13	± .01	1 PLACE	± 0.25	± ---	DIMENSION STYLE IN/MM		DRAWN BY: RWD DATE: 03/05/14 CHECKED BY: RWD DATE: 03/05/14		TITLE: 4-WAY CONNECTOR ASSEMBLY		
		mm	INCH																					
	4 PLACES	± ---	± ---																					
3 PLACES	± ---	± .005																						
2 PLACES	± 0.13	± .01																						
1 PLACE	± 0.25	± ---																						
ANGULAR ±1/2°		DRAFT WHERE APPLICABLE MUST REMAIN WITHIN DIMENSIONS		APPROVED BY: RWD DATE: 03/05/14		MOLEX INCORPORATED MATERIAL NO. (SEE CHART) SD-19204-002 SHEET NO. 1 OF 1																		
THIS DRAWING CONTAINS INFORMATION THAT IS PROPRIETARY TO MOLEX INCORPORATED AND SHOULD NOT BE USED WITHOUT WRITTEN PERMISSION																								

fb\_frame\_A rev. B1 2000/08/01

5

4

3

2

1