



Chipsmall Limited consists of a professional team with an average of over 10 year of expertise in the distribution of electronic components. Based in Hongkong, we have already established firm and mutual-benefit business relationships with customers from,Europe,America and south Asia,supplying obsolete and hard-to-find components to meet their specific needs.

With the principle of “Quality Parts,Customers Priority,Honest Operation,and Considerate Service”,our business mainly focus on the distribution of electronic components. Line cards we deal with include Microchip,ALPS,ROHM,Xilinx,Pulse,ON,Everlight and Freescale. Main products comprise IC,Modules,Potentiometer,IC Socket,Relay,Connector.Our parts cover such applications as commercial,industrial, and automotives areas.

We are looking forward to setting up business relationship with you and hope to provide you with the best service and solution. Let us make a better world for our industry!



Contact us

Tel: +86-755-8981 8866 Fax: +86-755-8427 6832

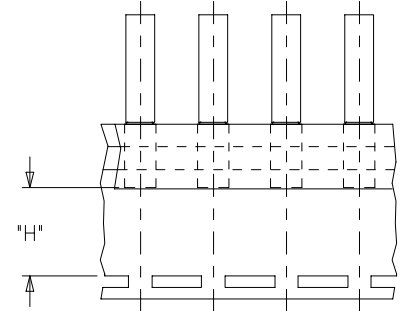
Email & Skype: info@chipsmall.com Web: www.chipsmall.com

Address: A1208, Overseas Decoration Building, #122 Zhenhua RD., Futian, Shenzhen, China

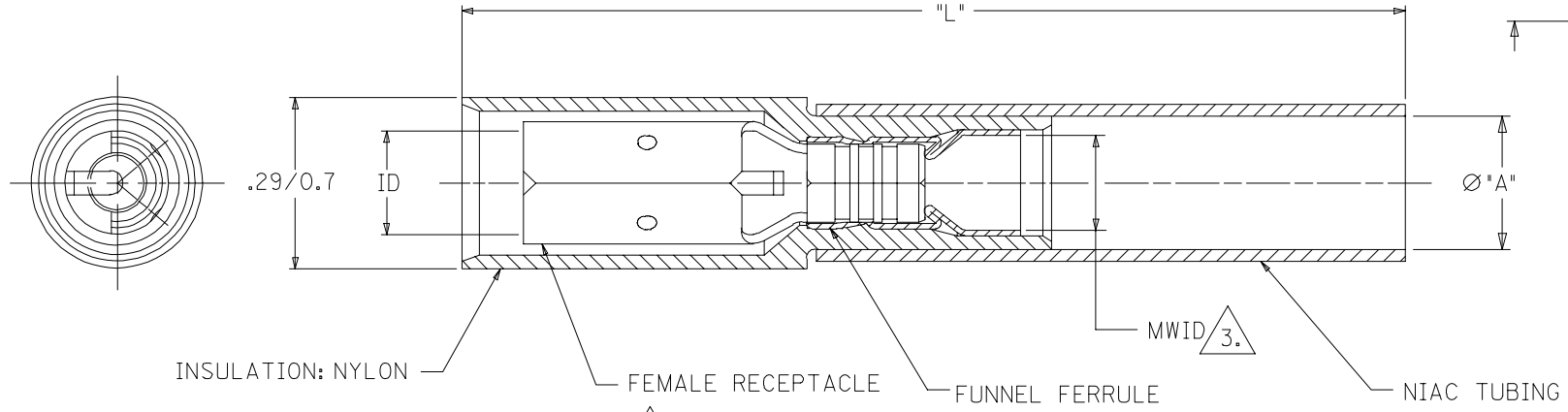


| MATERIAL NUMBER | ENGINEERING NUMBER | MATERIAL NUMBER ON TAPE | ENGINEERING NUMBER ON TAPE | AWG | COLOR CODE | MWID | "ID" MIN | "L" MAX | "A" MIN | H ±.01/.3 |
|-----------------|--------------------|-------------------------|----------------------------|-------|------------|----------|-----------|-----------|-----------|-----------|
| 191640052 | SBRA-8156N | N/A | N/A | 22-18 | RED | .13/3.3 | .156/3.96 | 1.58/40.1 | .235/5.97 | N/A |
| 191640053 | SBRA-8180N | N/A | N/A | 22-18 | RED | .13/3.3 | .180/4.57 | 1.60/40.6 | .235/5.97 | N/A |
| 191640054 | SBRB-8156N | 191640414 | SBRB-8156NT | 16-14 | BLUE | .15/3.81 | .156/3.96 | 1.60/40.6 | .230/5.84 | .39/9.9 |
| 191640055 | SBRB-8180N | N/A | N/A | 16-14 | BLUE | .15/3.81 | .180/4.57 | 1.60/40.6 | .230/5.84 | N/A |

ⓓ



PARTS ON TAPE



- NOTES:
- 1. TERMINAL MATERIAL: COPPER PLATING: TIN
 - 2. INSULATION MATERIAL: HEAT SHRINKABLE NIAC TUBING W/ HOT-MELT ADHESIVE INNER LINER
 - 3. MWID= MAXIMUM WIRE INSULATION DIAMETER

| | | | | | | |
|--|----------------------|--|-------------------------------------|---|--|--------------------|
| CHANGED "A" DIM EC NO: ETC2006-0154 DRWN: ASAYDEH 2005/12/21 CHKD: JLOMASTR 2005/12/21 APPR: JPWALICK 2005/12/21 | QUALITY SYMBOLS | GENERAL TOLERANCES (UNLESS SPECIFIED) | SCALE 1:1 | DESIGN UNITS INCH | THIRD ANGLE PROJECTION | REVISE ON CAD ONLY |
| | DESCRIPTION | mm INCH | DIMENSION STYLE IN/MM | | TITLE | |
| | ▼ = 0 | 4 PLACES ± --- ± --- | DRAWN BY DATE BENDERLE 2004/09/08 | | FULLY INSULATED AVIKRIMP PERMA-SEAL BULLET RECEPT .156/3.96-.180/4.57 DIA. | |
| | ▽ = 0 | 3 PLACES ± --- ± --- | CHECKED BY DATE R DEROSS 2004/09/08 | | MOLEX INCORPORATED | |
| | 2 PLACES ± .25 ± .01 | APPROVED BY DATE R DEROSS 2004/09/08 | | MATERIAL NO. SEE CHART | DOCUMENT NO. SD-19164-035 | SHEET NO. 1 OF 1 |
| | 1 PLACE ± .5 ± .02 | DRAFT WHERE APPLICABLE MUST REMAIN WITHIN DIMENSIONS | | THIS DRAWING CONTAINS INFORMATION THAT IS PROPRIETARY TO MOLEX INCORPORATED AND SHOULD NOT BE USED WITHOUT WRITTEN PERMISSION | | |
| | ANGULAR ± .5 ° | | | | | |