



Chipsmall Limited consists of a professional team with an average of over 10 year of expertise in the distribution of electronic components. Based in Hongkong, we have already established firm and mutual-benefit business relationships with customers from,Europe,America and south Asia,supplying obsolete and hard-to-find components to meet their specific needs.

With the principle of “Quality Parts,Customers Priority,Honest Operation,and Considerate Service”,our business mainly focus on the distribution of electronic components. Line cards we deal with include Microchip,ALPS,ROHM,Xilinx,Pulse,ON,Everlight and Freescale. Main products comprise IC,Modules,Potentiometer,IC Socket,Relay,Connector.Our parts cover such applications as commercial,industrial, and automotives areas.

We are looking forward to setting up business relationship with you and hope to provide you with the best service and solution. Let us make a better world for our industry!



Contact us

Tel: +86-755-8981 8866 Fax: +86-755-8427 6832

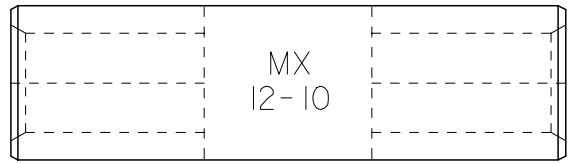
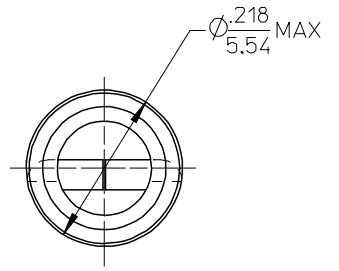
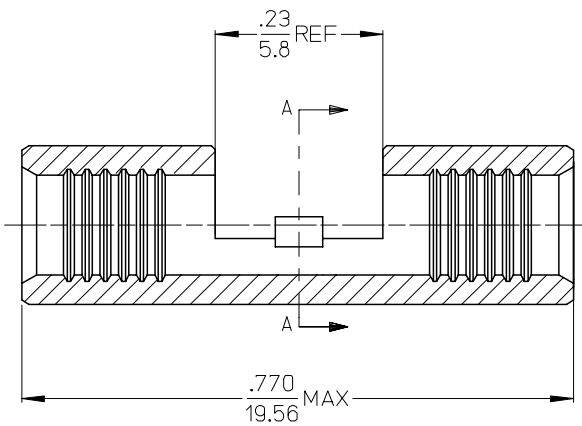
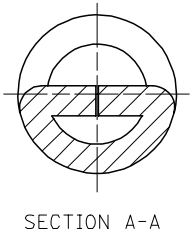
Email & Skype: info@chipsmall.com Web: www.chipsmall.com

Address: A1208, Overseas Decoration Building, #122 Zhenhua RD., Futian, Shenzhen, China



10 9 8 7 6 5 4 3 2 1

MATERIAL NUMBER	ENGINEERING NUMBER
191890014	C-142



- NOTES:
1. MATERIAL: COPPER (.038/9.65 THICK).
 2. PLATING: ELECTRO-TIN PLATING
 3. ALL DIMENSIONS IN INCHES/MM
WIRE SIZE 12-10AWG
4.0-6.0MM²

RELEASED EC NO: ETC2006-0214 DRWN:ASAYDEH 2006/01/31 CHKD: JLOMASTRO 2006/01/31 APPR:RDEROSS 2006/02/02	DESCRIPTION A	QUALITY SYMBOLS	GENERAL TOLERANCES (UNLESS SPECIFIED)	DIMENSION STYLE	SCALE	DESIGN UNITS	THIRD ANGLE PROJECTION	
		▼=0 ▽=0	mm INCH 4 PLACES ± --- ± --- 3 PLACES ± --- ± --- 2 PLACES ± --- ± --- 1 PLACE ± --- ± --- ANGULAR ± --- °	IN/MM	---	INCH	DRAWN BY ASAYDEH DATE 06/01/27 CHECKED BY JLOMASTRO DATE 06/01/27 APPROVED BY RDEROSS DATE 06/01/27	TITLE
			DRAFT WHERE APPLICABLE MUST REMAIN WITHIN DIMENSIONS	SEE CHART	MOLEX INCORPORATED MATERIAL NO. SD-19189-002	WINDOW BUTT SPLICE 12-10 AWG		
					SHEET NO. 1 OF 1			

1b_frame_B_P_ME_T Rev. D 2004/04/02 9 8 7 6 5 4 3 2 1