



Chipsmall Limited consists of a professional team with an average of over 10 year of expertise in the distribution of electronic components. Based in Hongkong, we have already established firm and mutual-benefit business relationships with customers from,Europe,America and south Asia,supplying obsolete and hard-to-find components to meet their specific needs.

With the principle of “Quality Parts,Customers Priority,Honest Operation,and Considerate Service”,our business mainly focus on the distribution of electronic components. Line cards we deal with include Microchip,ALPS,ROHM,Xilinx,Pulse,ON,Everlight and Freescale. Main products comprise IC,Modules,Potentiometer,IC Socket,Relay,Connector.Our parts cover such applications as commercial,industrial, and automotives areas.

We are looking forward to setting up business relationship with you and hope to provide you with the best service and solution. Let us make a better world for our industry!



## Contact us

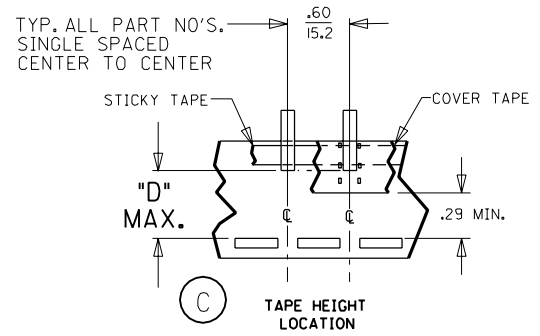
Tel: +86-755-8981 8866 Fax: +86-755-8427 6832

Email & Skype: info@chipsmall.com Web: www.chipsmall.com

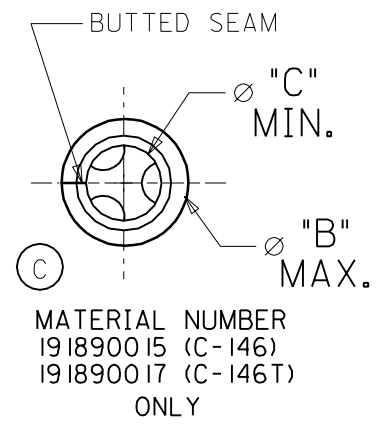
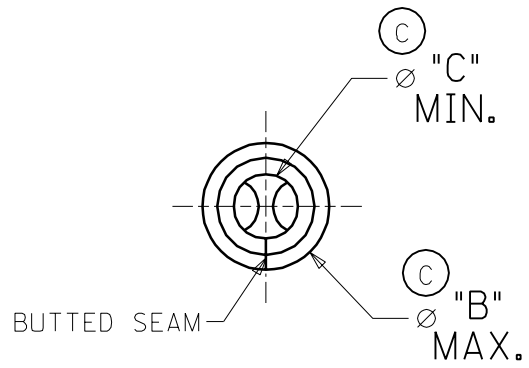
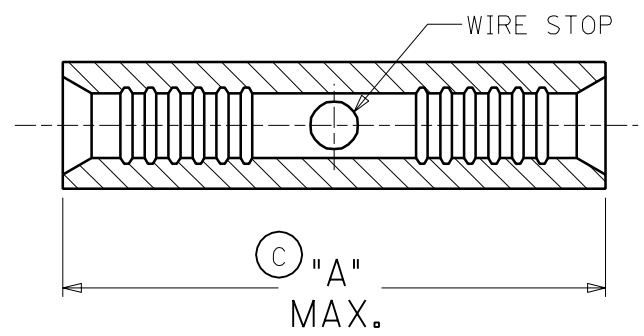
Address: A1208, Overseas Decoration Building, #122 Zhenhua RD., Futian, Shenzhen, China



MATERIAL NO.	ENG. NO.	WIRE AWG MARKING	DESCRIPTION	DIM. "A"	DIM. "B" OD	DIM. "C" ID	DIM. "D"
191890002	A-145	22-18	LOOSE PIECE	.580 (14.70)	.131 (3.33)	.055 (1.40)	-----
191890008	B-131	16-14	LOOSE PIECE	.580 (14.70)	.163 (4.14)	.078 (1.98)	-----
191890015	C-146	12-10	LOOSE PIECE	.585 (14.90)	.225 (5.71)	.124 (3.15)	-----
191890004	A-145T	22-18	TAPE MOUNTED	.580 (14.70)	.131 (3.33)	.055 (1.40)	.610 (15.49)
191890010	B-131T	16-14	TAPE MOUNTED	.580 (14.70)	.163 (4.14)	.078 (1.98)	.655 (16.64)
191890017	C-146T	12-10	TAPE MOUNTED	.585 (14.90)	.225 (5.71)	.124 (3.15)	.655 (16.64)



(C)



NOTE(S):  
 1. MATERIAL: COPPER  
 2. PLATING: ELECTRO-TIN

WIRE SIZE: 22-18 AWG.  
 0.25-1.3 MM<sup>2</sup>  
 WIRE SIZE: 16-14 AWG.  
 1.0-2.6 MM<sup>2</sup>  
 WIRE SIZE: 12-10 AWG.  
 4.0-6.0 MM<sup>2</sup>

DIM. CHANGES & UPDATES  
 EC NO. ETC2003-0167  
 DRWN: DLM 03/01/24  
 CHK: SB 03/01/24  
 APPR: RWD 03/01/24

QUALITY SYMBOLS  
 MAJOR  $\blacktriangledown = \emptyset$   
 CRITICAL  $\blacktriangle = \emptyset$

GENERAL TOLERANCES:  
 (UNLESS SPECIFIED)

	mm	INCH
4 PLACES	$\pm 0.-----$	$\pm .-----$
3 PLACES	$\pm 0.---$	$\pm .----$
2 PLACES	$\pm 0.---$	$\pm .---$
1 PLACE	$\pm 0.---$	$\pm .---$

ANGULAR:  $\pm \text{ }^\circ$

DRAFT WHERE APPLICABLE MUST REMAIN WITHIN DIMENSIONS

SCALE 5:1  
 DESIGN UNITS  mm  INCH  
 THIRD ANGLE PROJECTION    
 DRAWN BY & DATE DLM 03/01/24  
 CHECKED BY & DATE SB 03/01/24  
 APPROVED BY & DATE RWD 03/01/24  
 CAD FILENAME SD19189008.DGN

DIMENSIONS:  mm  INCH  mm ONLY  INCH ONLY

SHT REV  
 REVISE ON CAD ONLY

TITLE: BUTT CONNECTOR  
 KRIMPTITE  
 22-18, 16-14, & 12-10 AWG

**MOLEX INCORPORATED**

MATERIAL NO. (SEE CHART) DRAWING NO. SD-19189-008 SHEET NO. 1 OF 1

# SALES DRAWING