



Chipsmall Limited consists of a professional team with an average of over 10 year of expertise in the distribution of electronic components. Based in Hongkong, we have already established firm and mutual-benefit business relationships with customers from,Europe,America and south Asia,supplying obsolete and hard-to-find components to meet their specific needs.

With the principle of “Quality Parts,Customers Priority,Honest Operation,and Considerate Service”,our business mainly focus on the distribution of electronic components. Line cards we deal with include Microchip,ALPS,ROHM,Xilinx,Pulse,ON,Everlight and Freescale. Main products comprise IC,Modules,Potentiometer,IC Socket,Relay,Connector.Our parts cover such applications as commercial,industrial, and automotives areas.

We are looking forward to setting up business relationship with you and hope to provide you with the best service and solution. Let us make a better world for our industry!



Contact us

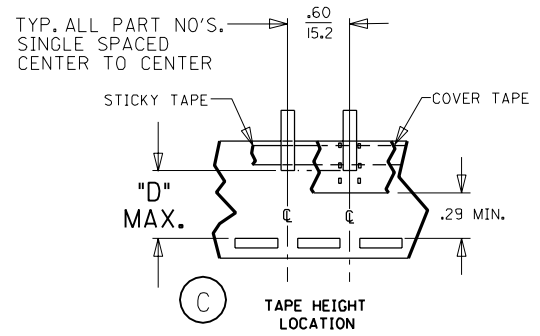
Tel: +86-755-8981 8866 Fax: +86-755-8427 6832

Email & Skype: info@chipsmall.com Web: www.chipsmall.com

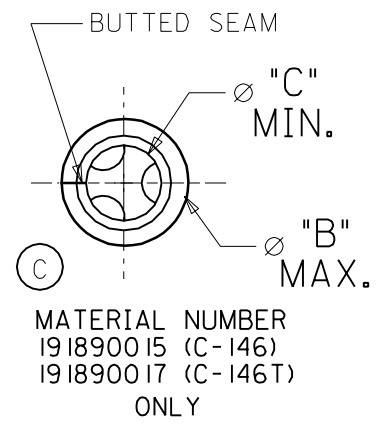
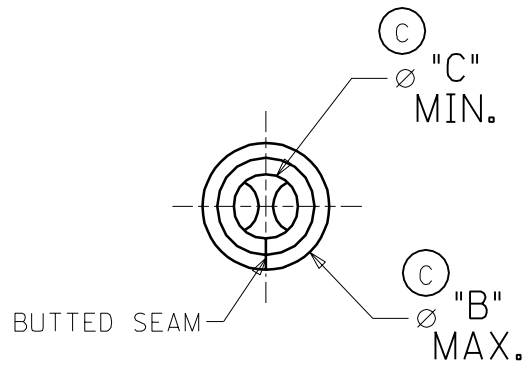
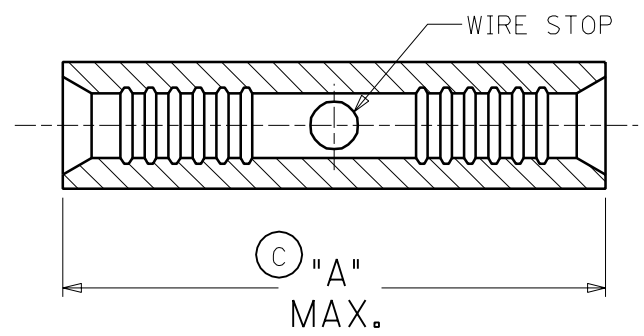
Address: A1208, Overseas Decoration Building, #122 Zhenhua RD., Futian, Shenzhen, China



| MATERIAL NO. | ENG. NO. | WIRE AWG MARKING | DESCRIPTION | DIM. "A" | DIM. "B" OD | DIM. "C" ID | DIM. "D" |
|--------------|----------|------------------|--------------|--------------|-------------|-------------|--------------|
| 191890002 | A-145 | 22-18 | LOOSE PIECE | .580 (14.70) | .131 (3.33) | .055 (1.40) | ----- |
| 191890008 | B-131 | 16-14 | LOOSE PIECE | .580 (14.70) | .163 (4.14) | .078 (1.98) | ----- |
| 191890015 | C-146 | 12-10 | LOOSE PIECE | .585 (14.90) | .225 (5.71) | .124 (3.15) | ----- |
| 191890004 | A-145T | 22-18 | TAPE MOUNTED | .580 (14.70) | .131 (3.33) | .055 (1.40) | .610 (15.49) |
| 191890010 | B-131T | 16-14 | TAPE MOUNTED | .580 (14.70) | .163 (4.14) | .078 (1.98) | .655 (16.64) |
| 191890017 | C-146T | 12-10 | TAPE MOUNTED | .585 (14.90) | .225 (5.71) | .124 (3.15) | .655 (16.64) |



(C)



NOTE(S):
 1. MATERIAL: COPPER
 2. PLATING: ELECTRO-TIN

WIRE SIZE: 22-18 AWG.
 0.25-1.3 MM²
 WIRE SIZE: 16-14 AWG.
 1.0-2.6 MM²
 WIRE SIZE: 12-10 AWG.
 4.0-6.0 MM²

(C) WIRE AWG MARKING LOCATION

SALES DRAWING

| | | | | | | | | | | |
|---|--|--|--|-------------|---|---|---------------------------|-----------|-----|--|
| DIM. CHANGES & UPDATES EC NO. ETC2003-0167 DRWN: DLM 03/01/24 CHK: SB 03/01/24 APPR: RWD 03/01/24 | DESCRIPTION MAJOR $\blacktriangledown = \emptyset$ CRITICAL $\blacktriangledown^c = \emptyset$ | GENERAL TOLERANCES: (UNLESS SPECIFIED) | | SCALE 5:1 | DESIGN UNITS <input type="checkbox"/> mm <input checked="" type="checkbox"/> INCH | DIMENSIONS: <input type="checkbox"/> mm <input checked="" type="checkbox"/> INCH <input type="checkbox"/> mm ONLY <input type="checkbox"/> INCH | | SHT | REV | |
| | | 4 PLACES | $\pm 0.----$ | $\pm .----$ | DRAWN BY & DATE DLM 03/01/24 | | TITLE: BUTT CONNECTOR | | | |
| | | 3 PLACES | $\pm 0.---$ | $\pm .----$ | CHECKED BY & DATE SB 03/01/24 | | 22-18, 16-14, & 12-10 AWG | | | |
| | | 2 PLACES | $\pm 0.---$ | $\pm .----$ | APPROVED BY & DATE RWD 03/01/24 | | MOLEX INCORPORATED | | | |
| 1 PLACE | $\pm 0.---$ | $\pm .---$ | ANGULAR: $\pm \text{ }^\circ$ | | CAD FILENAME | MATERIAL NO. | DRAWING NO. | SHEET NO. | | |
| DRAFT WHERE APPLICABLE MUST REMAIN WITHIN DIMENSIONS | | | SD19189008.DGN | | | (SEE CHART) SD-19189-008 | | 1 OF 1 | | |
| | | | THIS DRAWING CONTAINS INFORMATION THAT IS PROPRIETARY TO MOLEX INCORPORATED AND SHOULD NOT BE USED WITHOUT WRITTEN PERMISSION. | | | | | SIZE A | | |