



Chipsmall Limited consists of a professional team with an average of over 10 year of expertise in the distribution of electronic components. Based in Hongkong, we have already established firm and mutual-benefit business relationships with customers from,Europe,America and south Asia,supplying obsolete and hard-to-find components to meet their specific needs.

With the principle of “Quality Parts,Customers Priority,Honest Operation,and Considerate Service”,our business mainly focus on the distribution of electronic components. Line cards we deal with include Microchip,ALPS,ROHM,Xilinx,Pulse,ON,Everlight and Freescale. Main products comprise IC,Modules,Potentiometer,IC Socket,Relay,Connector.Our parts cover such applications as commercial,industrial, and automotives areas.

We are looking forward to setting up business relationship with you and hope to provide you with the best service and solution. Let us make a better world for our industry!



Contact us

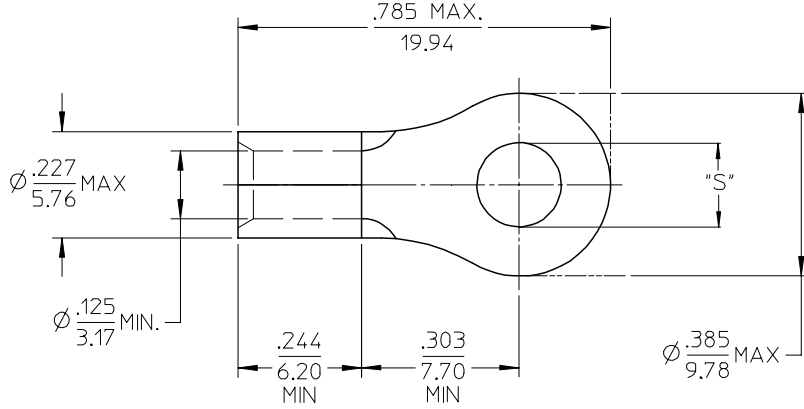
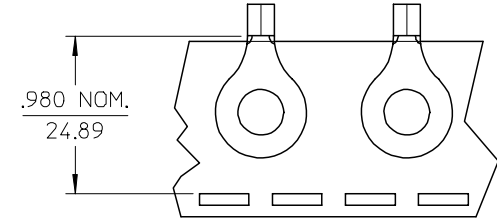
Tel: +86-755-8981 8866 Fax: +86-755-8427 6832

Email & Skype: info@chipsmall.com Web: www.chipsmall.com

Address: A1208, Overseas Decoration Building, #122 Zhenhua RD., Futian, Shenzhen, China



MATERIAL NO. LOOSE PIECE	ENG. NO.	MATERIAL NO. TAPE MOUNTED	ENG. NO.	STUD	±.003 "S"	STOCK THICKNESS
191930101	C-328-04	-----	-----	4	.126	.040 (1.02)
191930103	C-328-06	191930105	C-328-06T	6	.146	
191930106	C-328-08	191930108	C-328-08T	8	.173	
191930109	C-328-10	191930111	C-328-10T	10	.198	
191930112	C-328-209	191930113	C-328-209T	209	.209	



SALES DRAWING

NOTE(S):
 1. MATERIAL: COPPER
 2. PLATING: ELECTROPLATE TIN
 3. ALL DIMENSIONS IN INCHES/(MM).
 4. WIRE SIZE: 12-10 AWG
 4.0-6.0 MM²

REVISED/UPDATE TO MX STD EC NO: ETC2003-0315 DRWN: DMYRICK 2003/08/20 CHKD: HEB 2003/08/21 APPR: RDEROSS 2003/08/21	DESCRIPTION	QUALITY SYMBOLS	GENERAL TOLERANCES (UNLESS SPECIFIED)		SCALE 4:1	DESIGN UNITS INCH	THIRD ANGLE PROJECTION	REVISE ON CAD ONLY	
		REV	A	▼ = 0	mm	INCH	DIMENSION STYLE IN/MM		TITLE
				▽ = 0	4 PLACES ± --- ± ---	3 PLACES ± --- ± .005	DRAWN BY DLM	DATE 03/06/13	RING TONGUE TERMINAL VERSAKRIMP 12-10 AWG
				ANGULAR ± 1/2°	2 PLACES ± 0.13 ± .01	CHECKED BY HEB	DATE 03/06/13	MATERIAL NO. (SEE CHART)	
DRAFT WHERE APPLICABLE		MUST REMAIN WITHIN DIMENSIONS		APPROVED BY RWD		DATE 03/06/13	THIS DRAWING CONTAINS INFORMATION THAT IS PROPRIETARY TO MOLEX INCORPORATED AND SHOULD NOT BE USED WITHOUT WRITTEN PERMISSION		