



Chipsmall Limited consists of a professional team with an average of over 10 year of expertise in the distribution of electronic components. Based in Hongkong, we have already established firm and mutual-benefit business relationships with customers from,Europe,America and south Asia,supplying obsolete and hard-to-find components to meet their specific needs.

With the principle of “Quality Parts,Customers Priority,Honest Operation,and Considerate Service”,our business mainly focus on the distribution of electronic components. Line cards we deal with include Microchip,ALPS,ROHM,Xilinx,Pulse,ON,Everlight and Freescale. Main products comprise IC,Modules,Potentiometer,IC Socket,Relay,Connector.Our parts cover such applications as commercial,industrial, and automotives areas.

We are looking forward to setting up business relationship with you and hope to provide you with the best service and solution. Let us make a better world for our industry!



Contact us

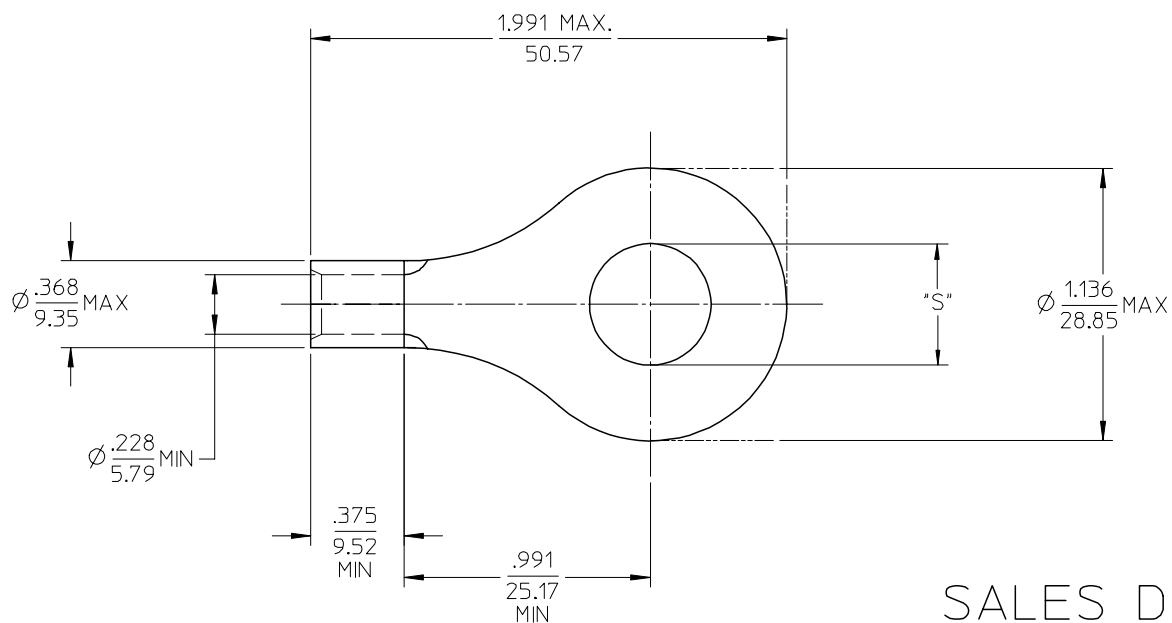
Tel: +86-755-8981 8866 Fax: +86-755-8427 6832

Email & Skype: info@chipsmall.com Web: www.chipsmall.com

Address: A1208, Overseas Decoration Building, #122 Zhenhua RD., Futian, Shenzhen, China



| MATERIAL NO. LOOSE PIECE | ENG. NO. | STUD SIZE | ±.003 "S" | STOCK THICKNESS |
|-----------------------------|----------|--------------|--------------|--------------------|
| 191930237 | E-359-14 | 1/4 | .265 | .050/(1.27) (B) |
| 191930240 | E-359-56 | 5/16 | .328 | |
| 191930239 | E-359-38 | 3/8 | .390 | |
| 191930242 | E-359-76 | 7/16 | .453 | |
| 191930236 | E-359-12 | 1/2 | .515 | |
| 191930241 | E-359-58 | 5/8 | .656 | |
| 191930238 | E-359-34 | 3/4 | .781 | |



SALES DRAWING

- NOTE(S):
1. MATERIAL: COPPER
 2. PLATING: ELECTROPLATE TIN
 3. ALL DIMENSIONS IN INCHES/(MM).
 4. WIRE SIZE: 6 AWG
16 MM²
 5. PART IS ROHS COMPLIANT.

| | | | | | | | | | |
|---|-------------------------------|---------------------------------------|--|--------------------------|--|----------------------|---|--|--|
| REVISED MATL THKNS EC NO: ETC2007-0003 DRW: NEHLE 2006/07/17 CHKD: MACNEIL 2006/07/19 APPR: ROERSS 2006/07/26 | QUALITY SYMBOLS ▽=0 ▽=0 | GENERAL TOLERANCES (UNLESS SPECIFIED) | | DIMENSION STYLE IN/MM | SCALE 2:1 | DESIGN UNITS INCH | THIRD ANGLE PROJECTION | | |
| | | | mm | INCH | DRAWN BY DLM | DATE 03/07/28 | TITLE RING TONGUE TERMINAL VERSAKRIMP SERIES 6 AWG | | |
| | | 4 PLACES | ± --- | ± --- | CHECKED BY HEB | DATE 03/07/28 | | | |
| | | 3 PLACES | ± --- | ± .005 | APPROVED BY RWD | DATE 03/07/28 | MOLEX INCORPORATED | | |
| 2 PLACES | ± 0.13 | ± .01 | MATERIAL NO. SEE CHART | | DOCUMENT NO. SD-19193-031 | SHEET NO. 1 OF 1 | | | |
| 1 PLACE | ± 0.25 | ± --- | DRAFT WHERE APPLICABLE MUST REMAIN WITHIN DIMENSIONS | | THIS DRAWING CONTAINS INFORMATION THAT IS PROPRIETARY TO MOLEX INCORPORATED AND SHOULD NOT BE USED WITHOUT WRITTEN PERMISSION | | | | |
| ANGULAR ±1/2° | | | | | | | | | |