



Chipsmall Limited consists of a professional team with an average of over 10 year of expertise in the distribution of electronic components. Based in Hongkong, we have already established firm and mutual-benefit business relationships with customers from,Europe,America and south Asia,supplying obsolete and hard-to-find components to meet their specific needs.

With the principle of “Quality Parts,Customers Priority,Honest Operation,and Considerate Service”,our business mainly focus on the distribution of electronic components. Line cards we deal with include Microchip,ALPS,ROHM,Xilinx,Pulse,ON,Everlight and Freescale. Main products comprise IC,Modules,Potentiometer,IC Socket,Relay,Connector.Our parts cover such applications as commercial,industrial, and automotives areas.

We are looking forward to setting up business relationship with you and hope to provide you with the best service and solution. Let us make a better world for our industry!



## Contact us

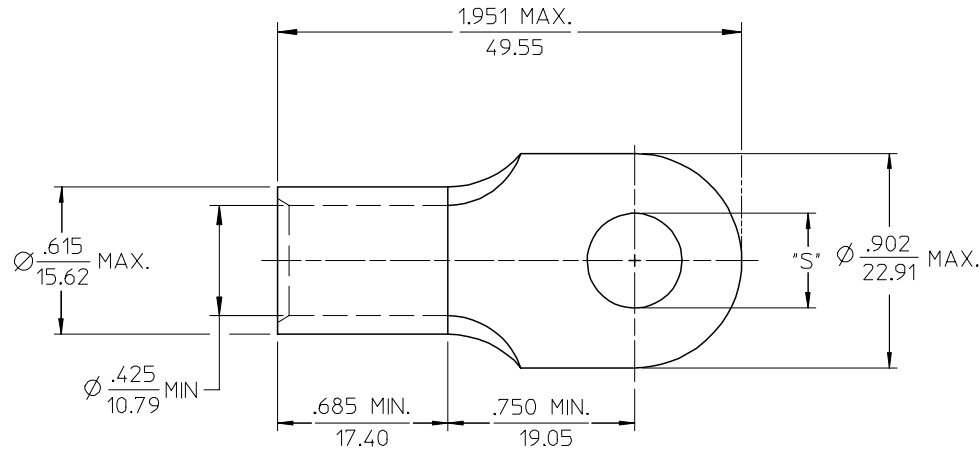
Tel: +86-755-8981 8866 Fax: +86-755-8427 6832

Email & Skype: info@chipsmall.com Web: www.chipsmall.com

Address: A1208, Overseas Decoration Building, #122 Zhenhua RD., Futian, Shenzhen, China



MATERIAL NO.	ENG. NO.	STUD SIZE	±.003 "S"	STOCK THICKNESS
191930326	H-380-14	1/4	.265	.075 (1.90)
191930328	H-380-56	5/16	.328	
191930612	H-380-38	3/8	.390	
191930329	H-380-76	7/16	.453	
191930325	H-380-12	1/2	.515	



SALES DRAWING

- NOTE(S):
1. MATERIAL: COPPER
  2. PLATING: ELECTROPLATE TIN
  3. ALL DIMENSIONS IN INCHES/(MM)
  4. WIRE SIZE: 1/0 AWG  
50 MM<sup>2</sup>
  5. PART IS ROHS COMPLIANT.

REV CHART & ADDED ROHS EC NO: ETL2007-0397 DRW: NEHLE 2007/04/17 CHYD: JMACNEIL 2007/05/09 APPR: JMACNEIL 2007/05/10 REV B	QUALITY SYMBOLS	GENERAL TOLERANCES (UNLESS SPECIFIED)		DIMENSION STYLE IN/MM	SCALE 2:1	DESIGN UNITS INCH	THIRD ANGLE PROJECTION
	▽=0	4 PLACES	± --- ± ---	DRAWN BY GZ	DATE 85/04/15	TITLE RING TONGUE TERMINAL, VERSAKRIMP SERIES, 1/0 AWG	
	▽=0	3 PLACES	± --- ± .005	CHECKED BY GZ	DATE 85/04/15	MOLEX INCORPORATED	
		2 PLACES	± 0.13 ± .01	APPROVED BY GZ	DATE 85/04/15	MATERIAL NO. SEE CHART	DOCUMENT NO. SD-19193-008
		1 PLACE	± 0.25 ± ---	DRAFT WHERE APPLICABLE MUST REMAIN WITHIN DIMENSIONS			
			ANGULAR ±1/2°	THIS DRAWING CONTAINS INFORMATION THAT IS PROPRIETARY TO MOLEX INCORPORATED AND SHOULD NOT BE USED WITHOUT WRITTEN PERMISSION			