



Chipsmall Limited consists of a professional team with an average of over 10 year of expertise in the distribution of electronic components. Based in Hongkong, we have already established firm and mutual-benefit business relationships with customers from,Europe,America and south Asia,supplying obsolete and hard-to-find components to meet their specific needs.

With the principle of “Quality Parts,Customers Priority,Honest Operation,and Considerate Service”,our business mainly focus on the distribution of electronic components. Line cards we deal with include Microchip,ALPS,ROHM,Xilinx,Pulse,ON,Everlight and Freescale. Main products comprise IC,Modules,Potentiometer,IC Socket,Relay,Connector.Our parts cover such applications as commercial,industrial, and automotives areas.

We are looking forward to setting up business relationship with you and hope to provide you with the best service and solution. Let us make a better world for our industry!



Contact us

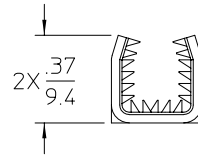
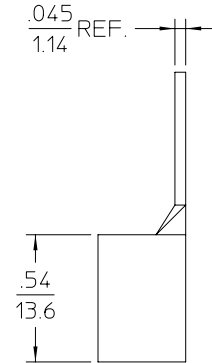
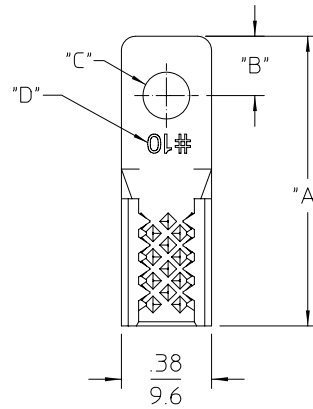
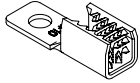
Tel: +86-755-8981 8866 Fax: +86-755-8427 6832

Email & Skype: info@chipsmall.com Web: www.chipsmall.com

Address: A1208, Overseas Decoration Building, #122 Zhenhua RD., Futian, Shenzhen, China



MATERIAL NUMBER	DIM. "A"	DIM. "B"	DIM. "C"	"D"
191951006	1.22/31.0	.25/6.4	Ø.198/5.03	#10
191951012	1.41/35.8	.34/8.5	Ø.265/6.73	1/4
191951022	1.22/31.0	.25/6.4	Ø.173/4.39	#8



NOTES:

1. MATERIAL: COPPER ALLOY.
2. FINISH: ELECTRO TIN PLATE.
THICKNESS=100μINCHES MINIMUM.
3. PRODUCT SPECIFICATION: PS-19195-001.
4. PART USED TO CONNECT COPPER OR ALUMINUM SINGLE MAGNET WIRE OR MULTIPLE WIRE COMBINATIONS.
5. COMBINATIONS OF WIRES ARE EITHER MAGNET WIRE TO MAGNET WIRE OR MAGNET WIRE TO LEAD WIRE.

EC NO: ETC2003-0089 DRWN: JPWLICK 2002/09/27 CHKD: JPWLICK 2002/09/27 APPR: RDEROSS 2002/09/27	QUALITY SYMBOLS ▽ = 0 ◻ = 0	GENERAL TOLERANCES (UNLESS SPECIFIED)		SCALE 2:1	DESIGN UNITS INCH	THIRD ANGLE PROJECTION	REVISE ON CAD ONLY			
		4 PLACES ± --- ± ---	3 PLACES ± --- ± ---	DIMENSION STYLE IN/MM		TITLE MAGKRIMP SQUARE RING 4,110-20,760 CMA				
		2 PLACES ± --- ± .010	1 PLACE ± 0.25 ± ---	ANGULAR ± 2 °		DRAWN BY JPWLICK	DATE 02/04/03	MOLEX INCORPORATED		
		DRAFT WHERE APPLICABLE MUST REMAIN WITHIN DIMENSIONS		APPROVED BY RDEROSS	DATE 02/04/03	MATERIAL NO SEE CHART	DOCUMENT NO SD-19195-015	SHEET NO 1 OF 1	THIS DRAWING CONTAINS INFORMATION THAT IS PROPRIETARY TO MOLEX INCORPORATED AND SHOULD NOT BE USED WITHOUT WRITTEN PERMISSION	