



Chipsmall Limited consists of a professional team with an average of over 10 year of expertise in the distribution of electronic components. Based in Hongkong, we have already established firm and mutual-benefit business relationships with customers from,Europe,America and south Asia,supplying obsolete and hard-to-find components to meet their specific needs.

With the principle of “Quality Parts,Customers Priority,Honest Operation,and Considerate Service”,our business mainly focus on the distribution of electronic components. Line cards we deal with include Microchip,ALPS,ROHM,Xilinx,Pulse,ON,Everlight and Freescale. Main products comprise IC,Modules,Potentiometer,IC Socket,Relay,Connector.Our parts cover such applications as commercial,industrial, and automotives areas.

We are looking forward to setting up business relationship with you and hope to provide you with the best service and solution. Let us make a better world for our industry!



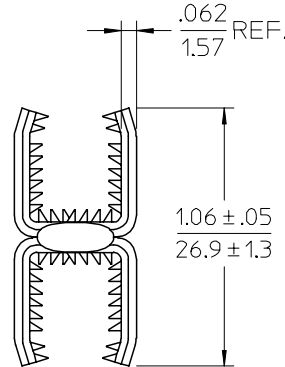
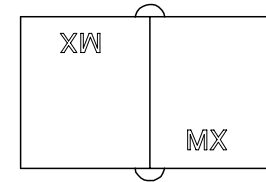
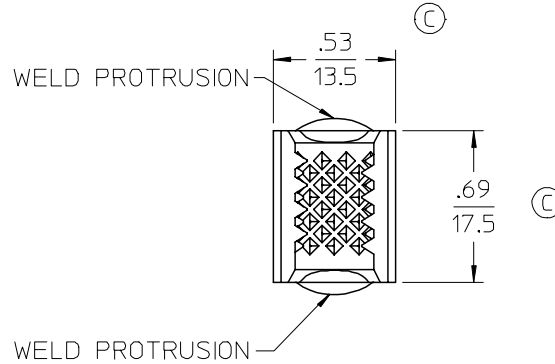
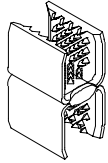
Contact us

Tel: +86-755-8981 8866 Fax: +86-755-8427 6832

Email & Skype: info@chipsmall.com Web: www.chipsmall.com

Address: A1208, Overseas Decoration Building, #122 Zhenhua RD., Futian, Shenzhen, China





- NOTES:
1. MATERIAL: COPPER ALLOY.
 2. FINISH: ELECTRO TIN PLATE.
THICKNESS=100MICRONS MINIMUM.
 3. PRODUCT SPECIFICATION: PS-19195-001.
 4. PART USED TO CONNECT COPPER OR ALUMINUM SINGLE MAGNET WIRE OR MULTIPLE WIRE COMBINATIONS.
 5. COMBINATIONS OF WIRES ARE EITHER MAGNET WIRE TO MAGNET WIRE OR MAGNET WIRE TO LEAD WIRE.

CHANGED DIMS EC NO: ETC2006-0208 DRWN:ASVDEH 2006/01/24 CHKD: ILOMASTRO 2006/01/27 APPR:RDEROSS 2006/01/30	QUALITY SYMBOLS ▽=0 ▽=0	GENERAL TOLERANCES (UNLESS SPECIFIED)		DIMENSION STYLE	SCALE	DESIGN UNITS	THIRD ANGLE PROJECTION	
				IN/MM	2:1	INCH		
		4 PLACES	± .010	± .010	DRAWN BY	DATE	TITLE	
		3 PLACES	± .010	± .010	JP AWL ICK	02/04/04	MAGKRIMP SPLICE, DUAL 20,760-104,960 CMA	
2 PLACES	± .010	± .010	CHECKED BY	DATE				
1 PLACE	± 0.25	± .010	JP AWL ICK	02/04/04				
		ANGULAR ± 2 °	APPROVED BY	DATE	MOLEX MOLEX INCORPORATED			
			RDEROSS	02/04/04				
		DRAFT WHERE APPLICABLE MUST REMAIN WITHIN DIMENSIONS	MATERIAL NO.	DOCUMENT NO.	SHEET NO.			
			19195-1027	SD-19195-018	1 OF 1			
			SIZE B	THIS DRAWING CONTAINS INFORMATION THAT IS PROPRIETARY TO MOLEX INCORPORATED AND SHOULD NOT BE USED WITHOUT WRITTEN PERMISSION				