



Chipsmall Limited consists of a professional team with an average of over 10 year of expertise in the distribution of electronic components. Based in Hongkong, we have already established firm and mutual-benefit business relationships with customers from,Europe,America and south Asia,supplying obsolete and hard-to-find components to meet their specific needs.

With the principle of “Quality Parts,Customers Priority,Honest Operation,and Considerate Service”,our business mainly focus on the distribution of electronic components. Line cards we deal with include Microchip,ALPS,ROHM,Xilinx,Pulse,ON,Everlight and Freescale. Main products comprise IC,Modules,Potentiometer,IC Socket,Relay,Connector.Our parts cover such applications as commercial,industrial, and automotives areas.

We are looking forward to setting up business relationship with you and hope to provide you with the best service and solution. Let us make a better world for our industry!



Contact us

Tel: +86-755-8981 8866 Fax: +86-755-8427 6832

Email & Skype: info@chipsmall.com Web: www.chipsmall.com

Address: A1208, Overseas Decoration Building, #122 Zhenhua RD., Futian, Shenzhen, China



NOTES:

- ① MAT'L: COPPER (STOCK TKN. $\frac{.031}{.031}$)
- ② PLATING: ELECTRO TIN (.0003 MIN)
- ③ TIN-PLATED BRASS FUNNEL FERRULE
- ⑤ NYLON INSULATION (COLOR CODED BLUE)

STUD SIZES: ($\pm .005$)

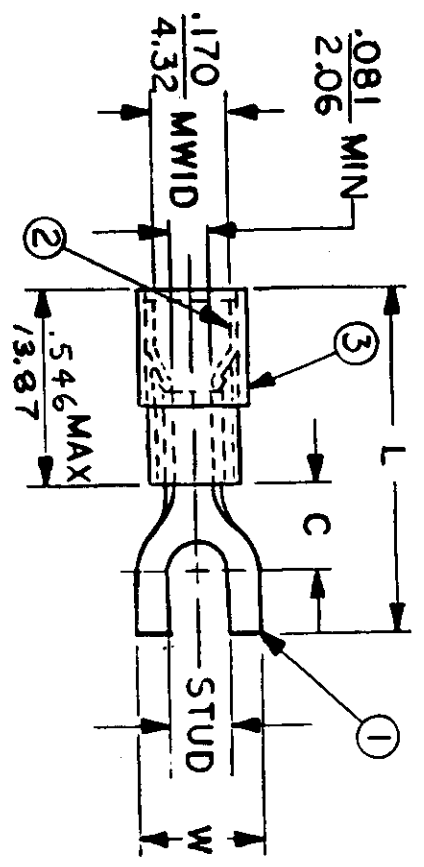
- 02 = .094
- 04 = .119
- 06 = .146
- 08 = .173
- 10 = .198
- 14 = .265
- 56 = .328
- 38 = .390

"UL" LISTING #E32244
 "CSA" LISTING #18689

WIRE SIZE: 16-14 AWG
 1.0-2.5 MM²

ALL DIMENSIONS = $\frac{\text{INCHES}}{\text{MM}}$

(MWID) = DENOTES MAXIMUM WIRE INSULATION DIAMETER



FILE NO. B-CD-503-02

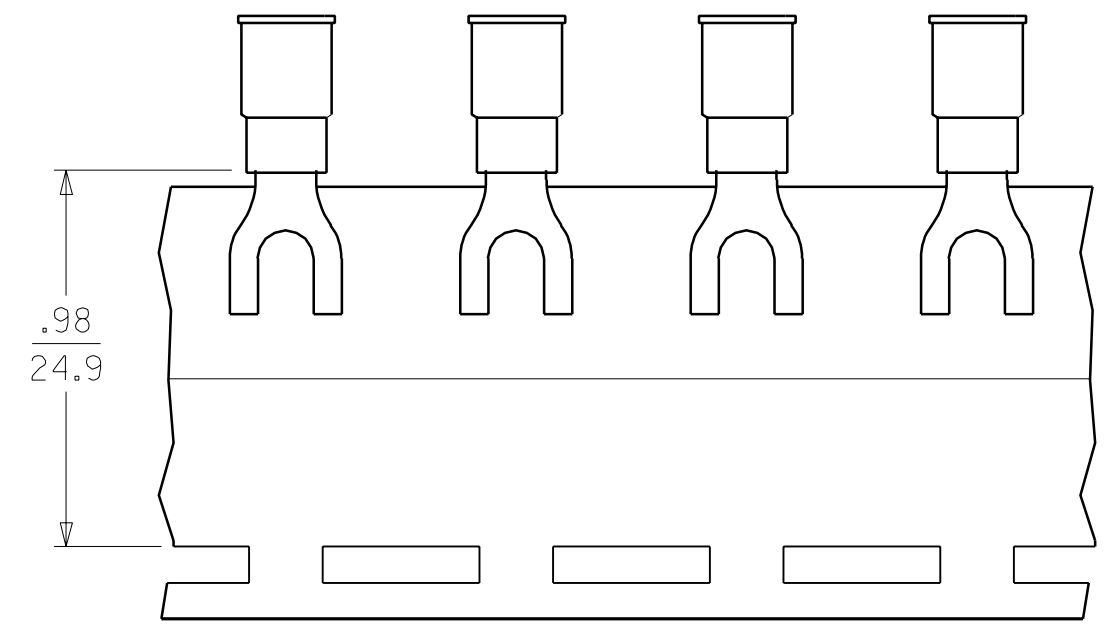
PART NUMBER	"W" $\pm .010$	"C" MIN.	"L" MAX.	AVAILABLE STUD SIZES
B-507-	$\frac{.245}{6.22}$	$\frac{.209}{5.31}$	$\frac{.930}{23.62}$	04, 06
B-524-	$\frac{.295}{7.49}$	$\frac{.211}{5.36}$	$\frac{.927}{23.55}$	04, 06, 08
B-527-	$\frac{.362}{9.19}$	$\frac{.269}{6.83}$	$\frac{1.062}{26.97}$	06, 08, 10

DIMENSIONAL TOLERANCES UNLESS OTHERWISE SPECIFIED		REFERENCE	SCALE: NTS	DATE	TITLE:
FRAC.	DEC.	ANG.	DRWN. BY: K.	11-12-84	SPADE TONGUE TERMINAL AVIKRIMP 500-SERIES
\pm	\pm	\pm	CHKD. BY: GZ	12-4-84	
			APPRD. BY:		

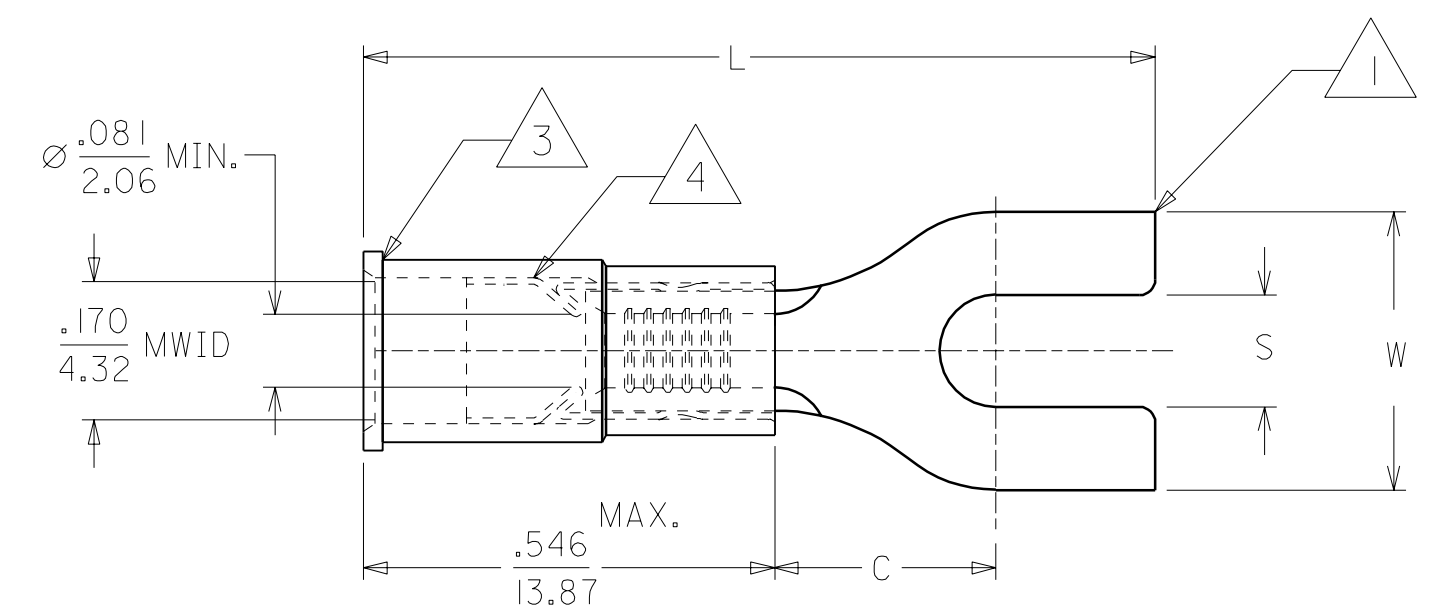


DWG. NO. A CUSTOMER DWG

	10	9	8	7	6	5		
	MATERIAL NUMBER	ALTERNATE NUMBER	STUD SIZE	"S" ±.005/(0.13)	"W" ±.010/(0.25)	"C"	"L"	PACKAGING
F	191960024	B-507-04	4	.119/(3.02)	.245/(6.22)	.209/(5.31)	.930/(23.62)	LOOSE PIECE
	191960026	B-507-06	6	.146/(3.71)	.245/(6.22)	.209/(5.31)	.930/(23.62)	
	191960030	B-524-04	4	.119/(3.02)	.295/(7.49)	.211/(5.36)	.927/(23.55)	
	191960032	B-524-06	6	.146/(3.71)	.295/(7.49)	.211/(5.36)	.927/(23.55)	
191960034	B-524-08	8	.173/(4.39)	.295/(7.49)	.211/(5.36)	.927/(23.55)		
191960037	B-527-06	6	.146/(3.71)	.362/(9.19)	.269/(6.83)	1.062/(26.97)		
191960039	B-527-08	8	.173/(4.39)	.388/(9.85)	.269/(6.83)	1.062/(26.97)		
191960041	B-527-10	10	.198/(5.03)	.388/(9.85)	.269/(6.83)	1.062/(26.97)		
E	191960025	B-507-04T	4	.119/(3.02)	.245/(6.22)	.209/(5.31)	.930/(23.62)	TAPE MOUNTED
	191960028	B-507-06T	6	.146/(3.71)	.245/(6.22)	.209/(5.31)	.930/(23.62)	
	191960031	B-524-04T	4	.119/(3.02)	.295/(7.49)	.211/(5.36)	.927/(23.55)	
	191960033	B-524-06T	6	.146/(3.71)	.295/(7.49)	.211/(5.36)	.927/(23.55)	
191960036	B-524-08T	8	.173/(4.39)	.295/(7.49)	.211/(5.36)	.927/(23.55)		
191960038	B-527-06T	6	.146/(3.71)	.362/(9.19)	.269/(6.83)	1.062/(26.97)		
191960040	B-527-08T	8	.173/(4.39)	.388/(9.85)	.269/(6.83)	1.062/(26.97)		
191960043	B-527-10T	10	.198/(5.03)	.388/(9.85)	.269/(6.83)	1.062/(26.97)		



PARTS ON TAPE



- NOTES:
1. MATERIAL: COPPER .031/(.79) THICK.
 2. PLATING: ELECTRO-TIN.
 3. INSULATION: MOLDED NYLON (BLUE)
 4. TIN-PLATED BRASS FUNNEL FERRULE.
 5. ALL DIMENSIONS IN INCHES/(MM).
 6. MWID=MAXIMUM WIRE INSULATION DIAMETER.

CUSTOMER DRAWING

DIMENSIONS SHOWN (METRIC) INCH		REVISE ONLY ON CAD SYSTEM													
UNLESS OTHERWISE SPECIFIED TOLERANCES: ANGULAR ± 1/2°		TITLE													
<table border="1"> <thead> <tr> <th></th> <th>INCH</th> <th>METRIC</th> </tr> </thead> <tbody> <tr> <td>3 PLACE</td> <td>± .005</td> <td>± ---</td> </tr> <tr> <td>2 PLACE</td> <td>± .01</td> <td>± 0.13</td> </tr> <tr> <td>1 PLACE</td> <td>± ---</td> <td>± 0.25</td> </tr> </tbody> </table>			INCH	METRIC	3 PLACE	± .005	± ---	2 PLACE	± .01	± 0.13	1 PLACE	± ---	± 0.25	SPADE TONGUE TERMINAL 16-14 AWG AVIKRIMP, 500-SERIES	
	INCH	METRIC													
3 PLACE	± .005	± ---													
2 PLACE	± .01	± 0.13													
1 PLACE	± ---	± 0.25													
DRAFT WHERE APPLICABLE MUST REMAIN WITHIN DIMENSIONS		mox ETC INC. PINELLAS PARK, FLA. 33781 U.S.A.	SHEET NO. 1 OF 1 DATE 99/11/12												
DRWG. BY HEB APP'D. BY RWD	CHK'D. BY RWD SCALE 4: 1	PART NO. SEE TABLE FILE NAME 19196001 DGN	DRWG. NO. SD-19196-001 THIS DRAWING CONTAINS INFORMATION THAT IS PROPRIETARY TO MOLEX-ETC INC. AND SHOULD NOT BE USED WITHOUT WRITTEN PERMISSION.												
			DIV. ET SIZE B												

A	VOIDS B-CD-503-02 ETC1999-0055 1999/11/12 HEB
LTR.	REVISIONS