



Chipsmall Limited consists of a professional team with an average of over 10 year of expertise in the distribution of electronic components. Based in Hongkong, we have already established firm and mutual-benefit business relationships with customers from,Europe,America and south Asia,supplying obsolete and hard-to-find components to meet their specific needs.

With the principle of “Quality Parts,Customers Priority,Honest Operation,and Considerate Service”,our business mainly focus on the distribution of electronic components. Line cards we deal with include Microchip,ALPS,ROHM,Xilinx,Pulse,ON,Everlight and Freescale. Main products comprise IC,Modules,Potentiometer,IC Socket,Relay,Connector.Our parts cover such applications as commercial,industrial, and automotives areas.

We are looking forward to setting up business relationship with you and hope to provide you with the best service and solution. Let us make a better world for our industry!



Contact us

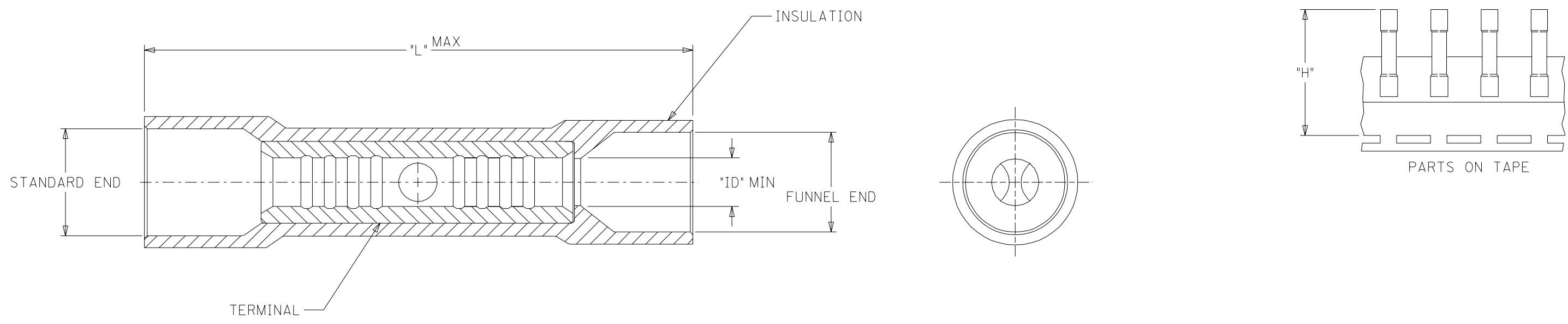
Tel: +86-755-8981 8866 Fax: +86-755-8427 6832

Email & Skype: info@chipsmall.com Web: www.chipsmall.com

Address: A1208, Overseas Decoration Building, #122 Zhenhua RD., Futian, Shenzhen, China



MATERIAL NUMBER	ENGINEERING NUMBER	MATERIAL NUMBER ON TAPE	ENGINEERING NUMBER ON TAPE	WIRE SIZE AWG	INSULATION COLOR	TERMINAL ID MIN	MAX. WIRE INSUL. DIA.		LENTH "L" MAX	"H" ±.010/0.25
							STANDARD END	FUNNEL END		
192020063	A-945-DK	192020007	A-945-DKT	18-22	DK RED	.062/1.57	.161/4.09	.147/3.74	1.070/27.18	1.522/38.67
192020019	B-931-DK	192020021	B-931-DKT	14-16	DK BLUE	.081/2.57	.199/5.05	.185/4.70	1.070/27.18	1.524/38.71
192020039	C-946-DK	192020041	C-946-DKT	10-12	DK YELLOW	.131/3.33	.276/7.01	.261/6.63	1.150/29.21	1.561/39.65



SALES DRAWING

- NOTES:
 1. MATERIAL: COPPER.
 2. PLATING: ELECTRON-TIN.
 3. INSULATION: 6/6 NYLON

NEW RELEASE
 EC NO. ETC2004-0207
 DRWN: BRE 04/04/23
 CHK: HEB 04/04/23
 APPR: RWD 04/04/23

QUALITY SYMBOLS	GENERAL TOLERANCES: (UNLESS SPECIFIED)	
MAJOR $\nabla=0$	mm	INCH
CRITICAL $\nabla C=0$	4 PLACES ±0.	±.
	3 PLACES ±0.	±.005
	2 PLACES ±0.13	±.01
	1 PLACE ±0.25	±.
	ANGULAR: ±1/2°	
	DRAFT WHERE APPLICABLE MUST REMAIN WITHIN DIMENSIONS	

SCALE 4:1	DESIGN UNITS <input type="checkbox"/> mm <input checked="" type="checkbox"/> INCH
DRAWN BY & DATE BRE 04/04/20	
CHECKED BY & DATE HEB 04/04/20	
APPROVED BY & DATE RWD 04/04/20	
CAD FILENAME SD-19202-002 .DGN	

DIMENSIONS: <input type="checkbox"/> mm <input checked="" type="checkbox"/> INCH <input type="checkbox"/> mm ONLY		SHT	REV
THIRD ANGLE PROJECTION		REVISE ON CAD ONLY	
TITLE: FUNNEL ENTRY NYLON BUTTED BUTT SPLICES			
MOLEX INCORPORATED			
MATERIAL NO. SEE CHART	DRAWING NO. SD-19202-002	SHEET NO. 1 OF 1	
THIS DRAWING CONTAINS INFORMATION THAT IS PROPRIETARY TO MOLEX INCORPORATED AND SHOULD NOT BE USED WITHOUT WRITTEN PERMISSION.			SIZE B