



Chipsmall Limited consists of a professional team with an average of over 10 year of expertise in the distribution of electronic components. Based in Hongkong, we have already established firm and mutual-benefit business relationships with customers from,Europe,America and south Asia,supplying obsolete and hard-to-find components to meet their specific needs.

With the principle of “Quality Parts,Customers Priority,Honest Operation,and Considerate Service”,our business mainly focus on the distribution of electronic components. Line cards we deal with include Microchip,ALPS,ROHM,Xilinx,Pulse,ON,Everlight and Freescale. Main products comprise IC,Modules,Potentiometer,IC Socket,Relay,Connector.Our parts cover such applications as commercial,industrial, and automotives areas.

We are looking forward to setting up business relationship with you and hope to provide you with the best service and solution. Let us make a better world for our industry!



Contact us

Tel: +86-755-8981 8866 Fax: +86-755-8427 6832

Email & Skype: info@chipsmall.com Web: www.chipsmall.com

Address: A1208, Overseas Decoration Building, #122 Zhenhua RD., Futian, Shenzhen, China

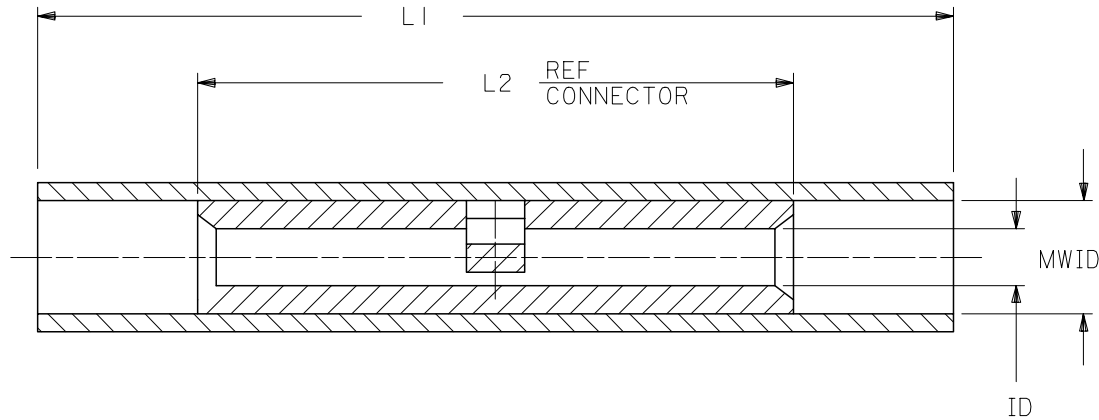


PART NO.	INSULATION COLOR	WIRE SIZE	ID	L1 MAX	L2 MAX.	MWID
AS-N-345	RED	22-18	.059	1.035	.675	.130
BS-N-331	BLUE	16-14	.091	1.080	.675	.140
CS-N-346	YELLOW	12-10	.138	1.300	.827	.223

(B)

NOTES:

- MATERIAL:
INSULATION: NYLON
CONNECTOR: TIN PLATED SEAMLESS COPPER
- IF NECESSARY: SLIGHT FLARE ON ONE END ACCEPTABLE FOR ASSEMBLY PURPOSES.

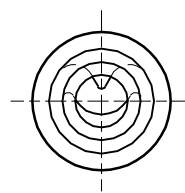
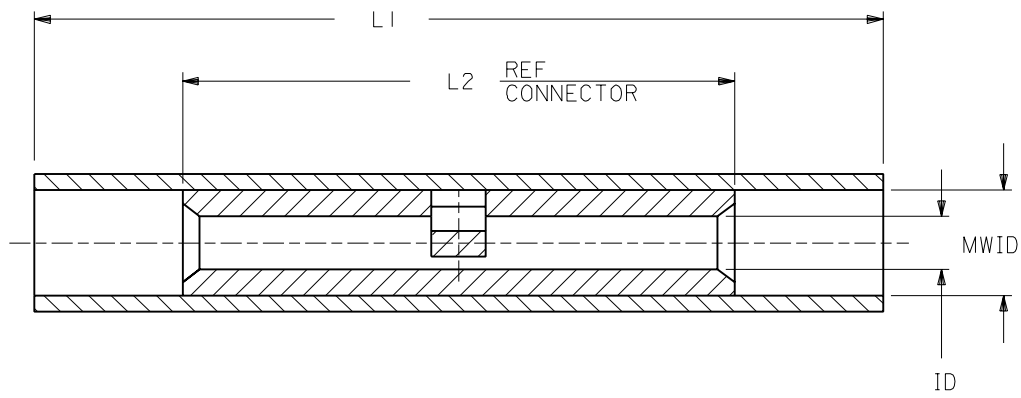


CUSTOMER DRAWING

REVISED & REDRAWN EC NO: B DRWN: L SHADECK 2005/06/13 CHKD: R DERROSS 2005/06/21 APPR: R DERROSS 2005/06/21	DESCRIPTION REV	QUALITY SYMBOLS = 0 = 0	GENERAL TOLERANCES (UNLESS SPECIFIED) <table border="1"> <thead> <tr> <th></th> <th>mm</th> <th>INCH</th> </tr> </thead> <tbody> <tr> <td>4 PLACES</td> <td>± ---</td> <td>± ---</td> </tr> <tr> <td>3 PLACES</td> <td>± ---</td> <td>± ---</td> </tr> <tr> <td>2 PLACES</td> <td>± ---</td> <td>± ---</td> </tr> <tr> <td>1 PLACE</td> <td>± ---</td> <td>± ---</td> </tr> </tbody> </table>		mm	INCH	4 PLACES	± ---	± ---	3 PLACES	± ---	± ---	2 PLACES	± ---	± ---	1 PLACE	± ---	± ---	DIMENSION STYLE IN/MM	SCALE 4:1	DESIGN UNITS INCH	THIRD ANGLE PROJECTION
			mm	INCH																		
		4 PLACES	± ---	± ---																		
		3 PLACES	± ---	± ---																		
2 PLACES	± ---	± ---																				
1 PLACE	± ---	± ---																				
		DRAWN BY EMF	DATE 07/03/91	TITLE NYLAKRIMP BUTT CONNECTOR																		
		CHECKED BY JM	DATE 07/03/91																			
		APPROVED BY FP	DATE 07/03/91	MOLEX INCORPORATED																		
		MATERIAL NO. SEE TABLE	DOCUMENT NO. 60002-11C					SHEET NO. 1 OF 1														
		DRAFT WHERE APPLICABLE MUST REMAIN WITHIN DIMENSIONS	THIS DRAWING CONTAINS INFORMATION THAT IS PROPRIETARY TO MOLEX INCORPORATED AND SHOULD NOT BE USED WITHOUT WRITTEN PERMISSION																			

PART NO.	INSULATION COLOR	WIRE SIZE	ID	L1 MAX	L2 MAX.	MWID
AS-N-345	RED	22-18	.059	1.035	.675	.130
BS-N-331	BLUE	16-14	.091	1.080	.675	.160
CS-N-346	YELLOW	12-10	.138	1.300	.827	.223

DRWG. NO. 60002-11C



CUSTOMER DRAWING

- NOTES:
- MATERIAL:
INSULATION: NYLON
CONNECTOR: TIN PLATED SEAMLESS COPPER
 - IF NECESSARY: SLIGHT FLARE ON ONE END ACCEPTABLE FOR ASSEMBLY PURPOSES.

A	ADD P/N AND UPDATE DRAWINGS ET80539 12/18 HEB
LTR.	REVISIONS

DIMENSIONS SHOWN (METRIC) INCH		
UNLESS OTHERWISE SPECIFIED TOLERANCES: ANGULAR ± 1/2°		
	INCH	METRIC
3 PLACE	± .005	± 0.13
2 PLACE	± .01	± 0.25
1 PLACE	± ---	± ---

DRAFT WHERE APPLICABLE MUST REMAIN WITHIN DIMENSIONS

DRWG. BY	EMF	CHK'D. BY	JM
APP'D. BY	FP	SCALE	NO: NE

REVISE ONLY ON CAD SYSTEM			
TITLE NYLAKRIMP BUTT CONNECTOR			
molex ETC INC. PINELLAS PARK, FLA. 33781 U.S.A.		SHEET NO. 1 OF 1	DATE 91/07/03
PART NO. SEE TABLE		DRWG. NO. 60002-11C	
FILE NAME 6000211C SD	THIS DRAWING CONTAINS INFORMATION THAT IS PROPRIETARY TO MOLEX-ETC INC. AND SHOULD NOT BE USED WITHOUT WRITTEN PERMISSION.		DIV. SIZE ET A