



Chipsmall Limited consists of a professional team with an average of over 10 year of expertise in the distribution of electronic components. Based in Hongkong, we have already established firm and mutual-benefit business relationships with customers from,Europe,America and south Asia,supplying obsolete and hard-to-find components to meet their specific needs.

With the principle of “Quality Parts,Customers Priority,Honest Operation,and Considerate Service”,our business mainly focus on the distribution of electronic components. Line cards we deal with include Microchip,ALPS,ROHM,Xilinx,Pulse,ON,Everlight and Freescale. Main products comprise IC,Modules,Potentiometer,IC Socket,Relay,Connector.Our parts cover such applications as commercial,industrial, and automotives areas.

We are looking forward to setting up business relationship with you and hope to provide you with the best service and solution. Let us make a better world for our industry!



Contact us

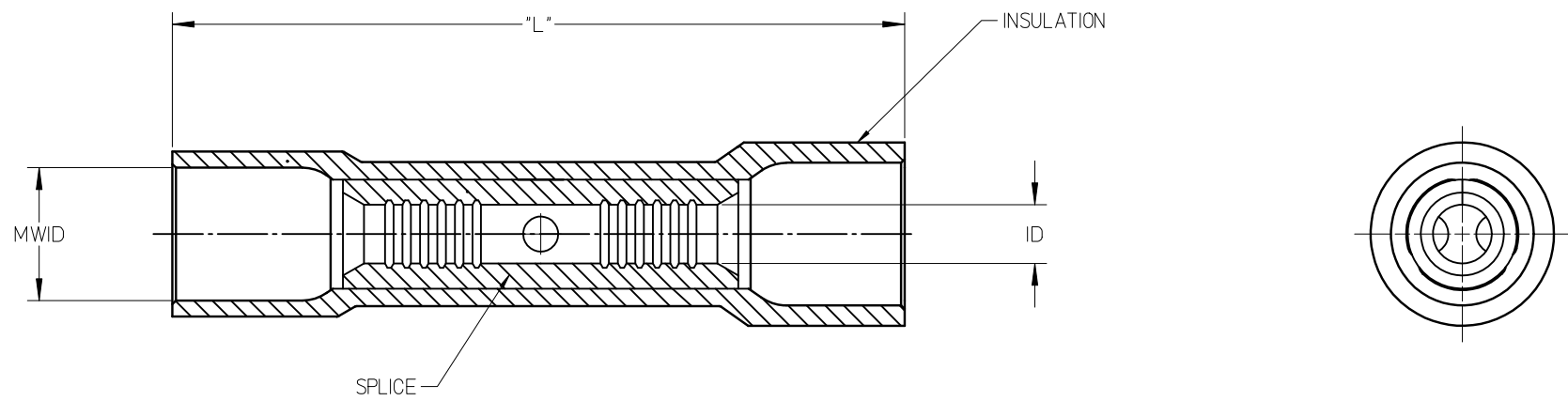
Tel: +86-755-8981 8866 Fax: +86-755-8427 6832

Email & Skype: info@chipsmall.com Web: www.chipsmall.com

Address: A1208, Overseas Decoration Building, #122 Zhenhua RD., Futian, Shenzhen, China



MATERIAL NUMBER	ENGINEERING NUMBER	WIRE SIZE AWG	INSULATION COLOR	SPLICE ID MIN	MWID	LENGTH "L" MAX
192020271	A-945X	22-18	RED	.055/ 1.40	.147/3.74	1.070/27.18
192020272	B-931X	16-14	BLUE	.078/ 1.98	.185/4.70	1.070/27.18
192020273	C-946X	12-10	YELLOW	.124/ 3.15	.261/6.63	1.150/29.21



- NOTES:
1. SPLICE MATERIAL: COPPER
 2. SPLICE FINISH: TIN
 3. INSULATION MATERIAL: NYLON 6/6
 4. MWID = MAXIMUM WIRE INSULATION DIAMETER
 4. ASSEMBLY IS ROHS COMPLIANT.

INITIAL RELEASE EC NO: WNA2011-0271 DRAWN BY: ETHRODAHL 2011/02/07 CHKD: JMACNEIL 2011/02/08 APPR: JMACNEIL 2011/02/25	DESCRIPTION A	QUALITY SYMBOLS	GENERAL TOLERANCES (UNLESS SPECIFIED)	DIMENSION STYLE IN/MM		SCALE ---	DESIGN UNITS INCH	THIRD ANGLE PROJECTION																												
		$\nabla=0$ $\nabla=0$	<table border="1"> <tr> <th></th> <th>mm</th> <th>INCH</th> </tr> <tr> <td>4 PLACES</td> <td>±---</td> <td>±---</td> </tr> <tr> <td>3 PLACES</td> <td>±---</td> <td>±.005</td> </tr> <tr> <td>2 PLACES</td> <td>±0.13</td> <td>±.010</td> </tr> <tr> <td>1 PLACE</td> <td>±0.25</td> <td>±.020</td> </tr> </table>		mm	INCH	4 PLACES	±---	±---	3 PLACES	±---	±.005	2 PLACES	±0.13	±.010	1 PLACE	±0.25	±.020	<table border="1"> <tr> <td>DRAWN BY</td> <td>DATE</td> </tr> <tr> <td>ETHRODAHL</td> <td>2011/02/07</td> </tr> <tr> <td>CHECKED BY</td> <td>DATE</td> </tr> <tr> <td>JMACNEIL</td> <td>2011/02/08</td> </tr> <tr> <td>APPROVED BY</td> <td>DATE</td> </tr> <tr> <td>JMACNEIL</td> <td>2011/02/25</td> </tr> </table>	DRAWN BY	DATE	ETHRODAHL	2011/02/07	CHECKED BY	DATE	JMACNEIL	2011/02/08	APPROVED BY	DATE	JMACNEIL	2011/02/25	TITLE		BUTT CONNECTOR, SEAMED NYLAKRIMP, 22-10 AWG EXPANDED FLARE		
			mm	INCH																																
		4 PLACES	±---	±---																																
3 PLACES	±---	±.005																																		
2 PLACES	±0.13	±.010																																		
1 PLACE	±0.25	±.020																																		
DRAWN BY	DATE																																			
ETHRODAHL	2011/02/07																																			
CHECKED BY	DATE																																			
JMACNEIL	2011/02/08																																			
APPROVED BY	DATE																																			
JMACNEIL	2011/02/25																																			
DRAFT WHERE APPLICABLE MUST REMAIN WITHIN DIMENSIONS		SEE CHART		MATERIAL NO.		DOCUMENT NO.		SHEET NO.																												
		SIZE B		THIS DRAWING CONTAINS INFORMATION THAT IS PROPRIETARY TO MOLEX INCORPORATED AND SHOULD NOT BE USED WITHOUT WRITTEN PERMISSION				1 OF 1																												