



Chipsmall Limited consists of a professional team with an average of over 10 year of expertise in the distribution of electronic components. Based in Hongkong, we have already established firm and mutual-benefit business relationships with customers from,Europe,America and south Asia,supplying obsolete and hard-to-find components to meet their specific needs.

With the principle of “Quality Parts,Customers Priority,Honest Operation,and Considerate Service”,our business mainly focus on the distribution of electronic components. Line cards we deal with include Microchip,ALPS,ROHM,Xilinx,Pulse,ON,Everlight and Freescale. Main products comprise IC,Modules,Potentiometer,IC Socket,Relay,Connector.Our parts cover such applications as commercial,industrial, and automotives areas.

We are looking forward to setting up business relationship with you and hope to provide you with the best service and solution. Let us make a better world for our industry!



Contact us

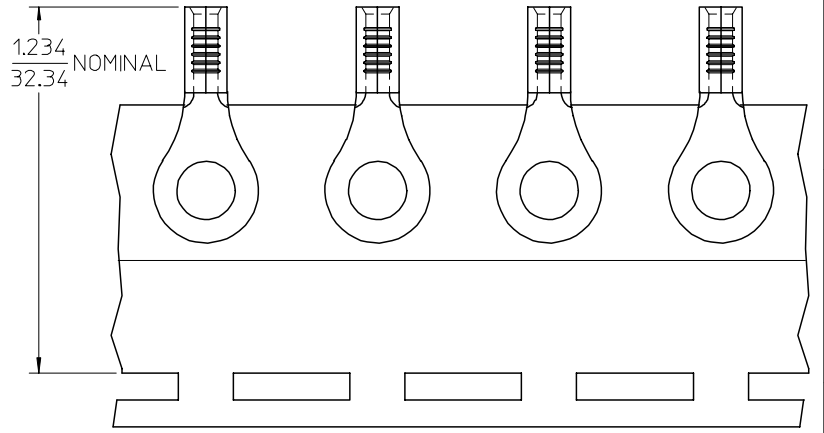
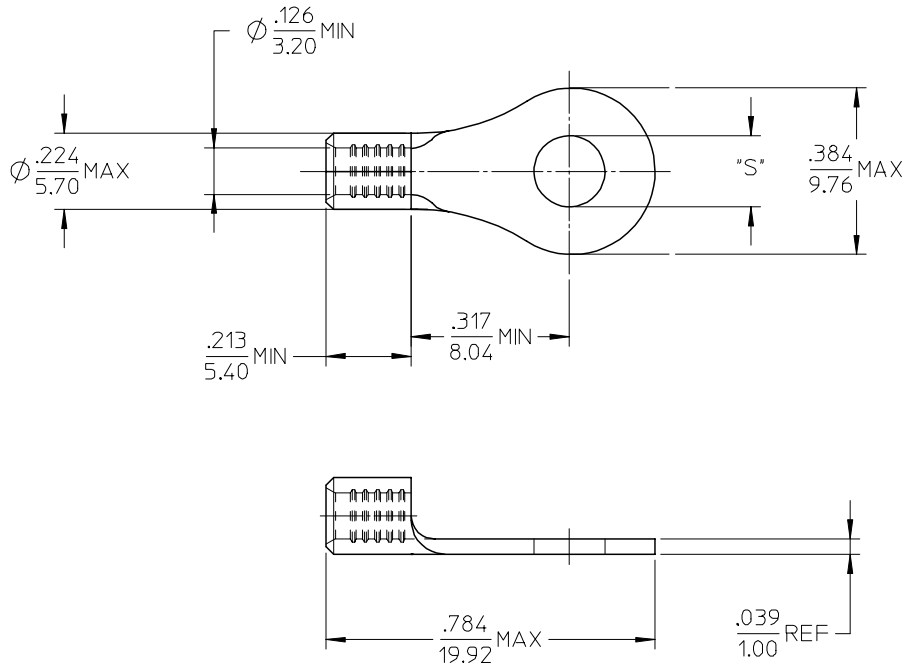
Tel: +86-755-8981 8866 Fax: +86-755-8427 6832

Email & Skype: info@chipsmall.com Web: www.chipsmall.com

Address: A1208, Overseas Decoration Building, #122 Zhenhua RD., Futian, Shenzhen, China



MATERIAL NO.	ENG. NO.	STUD SIZE	"S" MAX	DESCRIPTION
192030493	C-S-128-06	6	.149/3.78	LOOSE
192030092	C-S-128-06T	6	.149/3.78	TAPE



PARTS ON TAPE

NOTE(S):

1. MATERIAL: STEEL
2. WIRE SIZE: 12-10 AWG (4.0-6.0 MM²)
3. FINISH: NICKEL PLATING
4. PART IS ROHS COMPLIANT.
5. AMBIENT OPERATING TEMPERATURE UP TO 900 °F (483 °C).

ADDED OPERATING TEMP	2007/03/13
EC NO: ETC2007-0297	2007/03/13
DRW: NEHLE	2007/03/13
CHKD: JMACNEIL	2007/03/13
APPR: JMACNEIL	2007/03/14

QUALITY SYMBOLS	DESCRIPTION
▽=0	
▽=0	

GENERAL TOLERANCES (UNLESS SPECIFIED)	
mm	INCH
4 PLACES ± .005	± .0004
3 PLACES ± .004	± .0003
2 PLACES ± .003	± .0002
1 PLACE ± .002	± .0001
ANGULAR ± .005°	
DRAFT WHERE APPLICABLE MUST REMAIN WITHIN DIMENSIONS	

DIMENSION STYLE	
IN/MM	
DRAWN BY	DATE
EHILE	2006/09/21
CHECKED BY	DATE
JMACNEIL	2006/09/21
APPROVED BY	DATE
JMACNEIL	2006/09/21

SCALE	DESIGN UNITS	THIRD ANGLE PROJECTION
4:1	INCH	
TITLE		
RING TONGUE TERMINAL, 12-10 AWG, KRIMPTITE, 900 DEG F (483 DEG C)		
MATERIAL NO.		
SEE CHART		
DOCUMENT NO.		
SD-19203-031		
SHEET NO.		
1 OF 1		