



Chipsmall Limited consists of a professional team with an average of over 10 year of expertise in the distribution of electronic components. Based in Hongkong, we have already established firm and mutual-benefit business relationships with customers from,Europe,America and south Asia,supplying obsolete and hard-to-find components to meet their specific needs.

With the principle of “Quality Parts,Customers Priority,Honest Operation,and Considerate Service”,our business mainly focus on the distribution of electronic components. Line cards we deal with include Microchip,ALPS,ROHM,Xilinx,Pulse,ON,Everlight and Freescale. Main products comprise IC,Modules,Potentiometer,IC Socket,Relay,Connector.Our parts cover such applications as commercial,industrial, and automotives areas.

We are looking forward to setting up business relationship with you and hope to provide you with the best service and solution. Let us make a better world for our industry!



Contact us

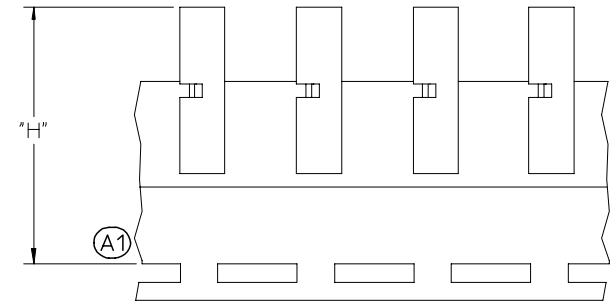
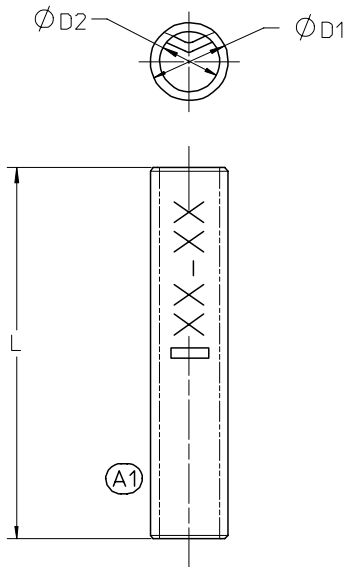
Tel: +86-755-8981 8866 Fax: +86-755-8427 6832

Email & Skype: info@chipsmall.com Web: www.chipsmall.com

Address: A1208, Overseas Decoration Building, #122 Zhenhua RD., Futian, Shenzhen, China



MATERIAL NO.	ENGINEERING NO.	D1 MAX	D2 MIN	L MAX	H NOMINAL	WIRE RANGE AWG	DESCRIPTION
192030384 (A1)	A-S-145	.14/3.6	.05/1.2	.627/15.92	-----	22-18	LOOSE
192030385	B-S-131	.17/4.3	.07/1.9	.627/15.92	-----	16-14	LOOSE
192030386	C-S-146	.23/5.8	.12/3.0	.627/15.92	-----	12-10	LOOSE
192030523 (A1)	192030384T	.14/3.6	.05/1.2	.627/15.92	1.218/30.94	22-18	TAPE
192030479	192030385T	.17/4.3	.07/1.9	.627/15.92	1.218/30.94	16-14	TAPE
192030480	192030386T	.23/5.8	.12/3.0	.627/15.92	1.218/30.94	12-10	TAPE



PARTS ON TAPE

NOTE(S):

1. MATERIAL: STEEL .031/0.80 THICK REF
2. FINISH: NICKEL PLATING
3. PART IS ROHS COMPLIANT.

(A1)

ADD MATERIAL #'S EC NO: ETC2005-0779 DRWN: DMYRICK 2006/09/05 CHKD: JPAMLCKI 2006/09/05 APPR: JMACNEIL 2006/09/11	QUALITY SYMBOLS ▽=0 ▽=0	GENERAL TOLERANCES (UNLESS SPECIFIED)		DIMENSION STYLE IN/MM		SCALE 1:1	DESIGN UNITS INCH	THIRD ANGLE PROJECTION	
			mm	INCH	DRAWN BY DMYRICK	DATE 2005/4/7	TITLE STEP DOWN BUTT SPLICE SEAMLESS		
		4 PLACES	±----	±----	CHECKED BY RDEROSS	DATE 2005/4/7			
		3 PLACES	±----	±----	APPROVED BY RDEROSS	DATE 2005/4/7	MOLEX INCORPORATED		
2 PLACES	±----	±----	MATERIAL NO. SEE CHART		DOCUMENT NO. SD-19203-015	SHEET NO. 1 OF 1			
1 PLACE	±----	±----	DRAFT WHERE APPLICABLE MUST REMAIN WITHIN DIMENSIONS						
		ANGULAR ±----°		THIS DRAWING CONTAINS INFORMATION THAT IS PROPRIETARY TO MOLEX INCORPORATED AND SHOULD NOT BE USED WITHOUT WRITTEN PERMISSION					