



Chipsmall Limited consists of a professional team with an average of over 10 year of expertise in the distribution of electronic components. Based in Hongkong, we have already established firm and mutual-benefit business relationships with customers from,Europe,America and south Asia,supplying obsolete and hard-to-find components to meet their specific needs.

With the principle of “Quality Parts,Customers Priority,Honest Operation,and Considerate Service”,our business mainly focus on the distribution of electronic components. Line cards we deal with include Microchip,ALPS,ROHM,Xilinx,Pulse,ON,Everlight and Freescale. Main products comprise IC,Modules,Potentiometer,IC Socket,Relay,Connector.Our parts cover such applications as commercial,industrial, and automotives areas.

We are looking forward to setting up business relationship with you and hope to provide you with the best service and solution. Let us make a better world for our industry!



Contact us

Tel: +86-755-8981 8866 Fax: +86-755-8427 6832

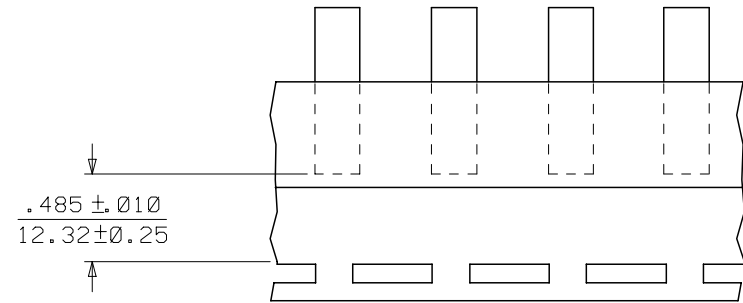
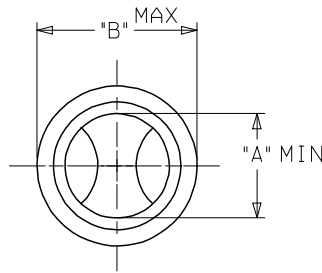
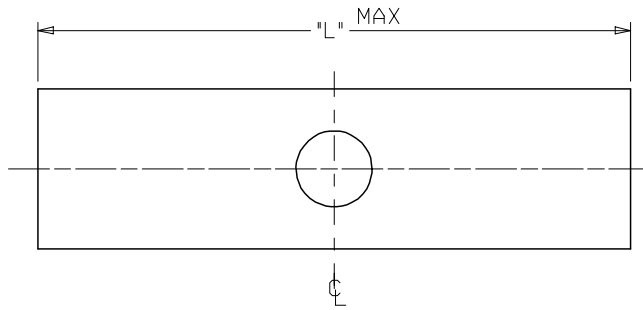
Email & Skype: info@chipsmall.com Web: www.chipsmall.com

Address: A1208, Overseas Decoration Building, #122 Zhenhua RD., Futian, Shenzhen, China



MATERIAL NUMBER	ENGINEERING NUMBER	AWG	"L" MAX	"A" MIN	"B" MAX	MATERIAL	PACKAGING	TEMPERATURE RATING
192030166	A-T-345	22-18	.675/(17.1)	.059/(1.50)	.130/(3.30)	COPPER	LOOSE PIECE	650°F (343°C)
192030171	B-T-331	16-14	.675/(17.1)	.091/(2.31)	.160/(4.06)	COPPER		650°F (343°C)
192030183	C-T-346	12-10	.827/(21.0)	.139/(3.53)	.223/(5.66)	COPPER		650°F (343°C)
192030104	C-T-346T	12-10	.827/(14.7)	.139/(3.53)	.223/(5.66)	COPPER	TAPE MOUNTED	650°F (343°C)

Ⓒ (ENTIRE CHART)



PARTS ON TAPE

SALES DRAWING

NOTES:

1. FINISH: NICKEL PLATED
2. ALL DIMENSIONS IN INCHES/(MM).
3. PART IS ROHS COMPLIANT.

DEL STEEL MN FROM CHART EC NO: ETC2007-0397 DRW: DRWHEHLE 2007/04/27 CHKD: JMAGNEIL 2007/05/09 APPR: JMAGNEIL 2007/05/10	QUALITY SYMBOLS	GENERAL TOLERANCES (UNLESS SPECIFIED)	DIMENSION STYLE IN/MM	SCALE ---	DESIGN UNITS INCH	THIRD ANGLE PROJECTION																														
	$\nabla=0$ $\nabla=0$	<table border="1"> <thead> <tr> <th></th> <th>mm</th> <th>INCH</th> </tr> </thead> <tbody> <tr> <td>4 PLACES</td> <td>± ---</td> <td>± ---</td> </tr> <tr> <td>3 PLACES</td> <td>± ---</td> <td>± ---</td> </tr> <tr> <td>2 PLACES</td> <td>± ---</td> <td>± ---</td> </tr> <tr> <td>1 PLACE</td> <td>± ---</td> <td>± ---</td> </tr> <tr> <td colspan="3">ANGULAR ± ---°</td> </tr> </tbody> </table>		mm	INCH	4 PLACES	± ---	± ---	3 PLACES	± ---	± ---	2 PLACES	± ---	± ---	1 PLACE	± ---	± ---	ANGULAR ± ---°			<table border="1"> <thead> <tr> <th>DRAWN BY</th> <th>DATE</th> </tr> </thead> <tbody> <tr> <td>BRE</td> <td>2001/09/28</td> </tr> <tr> <th>CHECKED BY</th> <th>DATE</th> </tr> <tr> <td>HEB</td> <td>2001/09/28</td> </tr> <tr> <th>APPROVED BY</th> <th>DATE</th> </tr> <tr> <td>RWD</td> <td>2001/09/28</td> </tr> </tbody> </table>	DRAWN BY	DATE	BRE	2001/09/28	CHECKED BY	DATE	HEB	2001/09/28	APPROVED BY	DATE	RWD	2001/09/28	TITLE	BUTT CONNECTORS, TEMP-TERMS, 650 DEG F	
		mm	INCH																																	
	4 PLACES	± ---	± ---																																	
3 PLACES	± ---	± ---																																		
2 PLACES	± ---	± ---																																		
1 PLACE	± ---	± ---																																		
ANGULAR ± ---°																																				
DRAWN BY	DATE																																			
BRE	2001/09/28																																			
CHECKED BY	DATE																																			
HEB	2001/09/28																																			
APPROVED BY	DATE																																			
RWD	2001/09/28																																			
REV	DESCRIPTION	DRAFT WHERE APPLICABLE MUST REMAIN WITHIN DIMENSIONS	MATERIAL NO. SEE CHART	DOCUMENT NO. SD-19203-012	SHEET NO. 1 OF 1																															