



Chipsmall Limited consists of a professional team with an average of over 10 year of expertise in the distribution of electronic components. Based in Hongkong, we have already established firm and mutual-benefit business relationships with customers from,Europe,America and south Asia,supplying obsolete and hard-to-find components to meet their specific needs.

With the principle of “Quality Parts,Customers Priority,Honest Operation,and Considerate Service”,our business mainly focus on the distribution of electronic components. Line cards we deal with include Microchip,ALPS,ROHM,Xilinx,Pulse,ON,Everlight and Freescale. Main products comprise IC,Modules,Potentiometer,IC Socket,Relay,Connector.Our parts cover such applications as commercial,industrial, and automotives areas.

We are looking forward to setting up business relationship with you and hope to provide you with the best service and solution. Let us make a better world for our industry!



## Contact us

Tel: +86-755-8981 8866 Fax: +86-755-8427 6832

Email & Skype: info@chipsmall.com Web: www.chipsmall.com

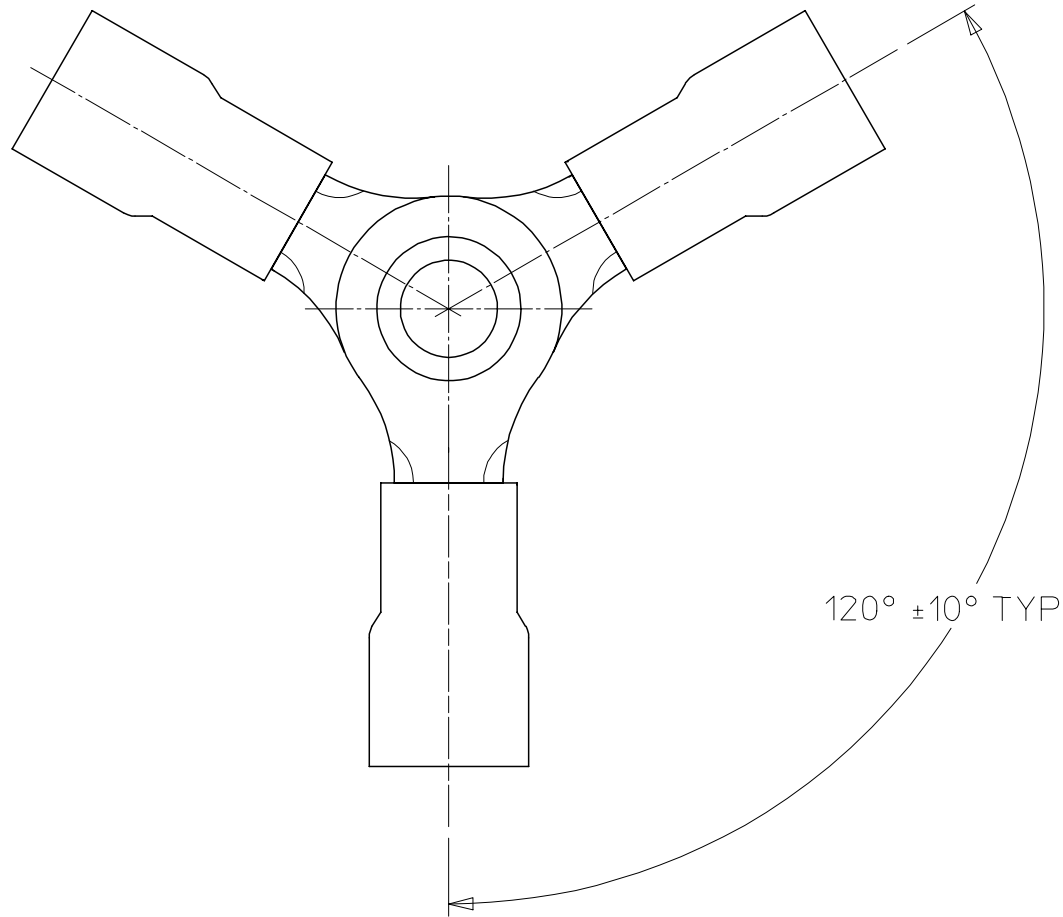
Address: A1208, Overseas Decoration Building, #122 Zhenhua RD., Futian, Shenzhen, China



19204

ASSEMBLY NUMBER

MATERIAL NUMBER	ENGINEERING NUMBER
192040002	A-1YC
192040004	A-2YCX
192040005	A-3YC
192040009	A-5YC
192040010	A-8YC
192040012	B-1YC
192040014	B-2YCX
192040016	B-3YC
192040018	B-5YC
192040022	B-8YC
192040024	C-1YC
192040026	C-2YCX
192040028	C-3YC
192040030	C-5YC
192040031	C-8YC
191640011	SA-2YCX
191640042	SB-2YCX
191640074	SC-2YCX



SALES DRAWING

WAS 65252-01C/-02C EC NO: ETC2003-0305 DRWN: DMYRICK 2003/05/16 CHK'D: RWD 2003/05/16 APPR: RDEROSS 2003/05/16	QUALITY SYMBOLS	GENERAL TOLERANCES (UNLESS SPECIFIED)		SCALE NTS	DESIGN UNITS INCH	THIRD ANGLE PROJECTION	REVISE ON CAD ONLY																	
	-0 C=0	<table border="1"> <thead> <tr> <th></th> <th>mm</th> <th>INCH</th> </tr> </thead> <tbody> <tr> <td>4 PLACES</td> <td>± ---</td> <td>± ---</td> </tr> <tr> <td>3 PLACES</td> <td>± ---</td> <td>± .005</td> </tr> <tr> <td>2 PLACES</td> <td>± 0.13</td> <td>± .01</td> </tr> <tr> <td>1 PLACE</td> <td>± 0.25</td> <td>± ---</td> </tr> </tbody> </table>		mm	INCH	4 PLACES	± ---	± ---	3 PLACES	± ---	± .005	2 PLACES	± 0.13	± .01	1 PLACE	± 0.25	± ---	DIMENSION STYLE IN/MM		DRAWN BY: RWD DATE: 03/05/14		TITLE 3-WAY CONNECTOR ASSEMBLY		
		mm	INCH																					
	4 PLACES	± ---	± ---																					
3 PLACES	± ---	± .005																						
2 PLACES	± 0.13	± .01																						
1 PLACE	± 0.25	± ---																						
DRAFT WHERE APPLICABLE MUST REMAIN WITHIN DIMENSIONS	ANGULAR ±1/2°		CHECKED BY: RWD DATE: 03/05/14		MOLEX INCORPORATED																			
THIS DRAWING CONTAINS INFORMATION THAT IS PROPRIETARY TO MOLEX INCORPORATED AND SHOULD NOT BE USED WITHOUT WRITTEN PERMISSION	APPROVED BY: RWD DATE: 03/05/14		MATERIAL NO. (SEE CHART) DOCUMENT NO. SD-19204-001 SHEET NO. 1 OF 1		A																			