



Chipsmall Limited consists of a professional team with an average of over 10 year of expertise in the distribution of electronic components. Based in Hongkong, we have already established firm and mutual-benefit business relationships with customers from,Europe,America and south Asia,supplying obsolete and hard-to-find components to meet their specific needs.

With the principle of “Quality Parts,Customers Priority,Honest Operation,and Considerate Service”,our business mainly focus on the distribution of electronic components. Line cards we deal with include Microchip,ALPS,ROHM,Xilinx,Pulse,ON,Everlight and Freescale. Main products comprise IC,Modules,Potentiometer,IC Socket,Relay,Connector.Our parts cover such applications as commercial,industrial, and automotives areas.

We are looking forward to setting up business relationship with you and hope to provide you with the best service and solution. Let us make a better world for our industry!



Contact us

Tel: +86-755-8981 8866 Fax: +86-755-8427 6832

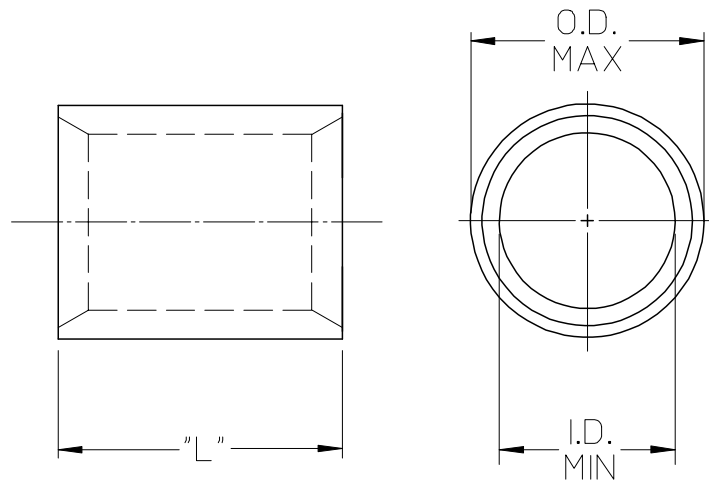
Email & Skype: info@chipsmall.com Web: www.chipsmall.com

Address: A1208, Overseas Decoration Building, #122 Zhenhua RD., Futian, Shenzhen, China



19205

MATERIAL NO.	ENG. NO.	WIRE SIZE	I.D. MIN.	O.D. MAX.	"L" (E)
192070001	AS-302	22-18	.060/1.50	.130/3.30	.305/.325 (7.75/8.26)
192050001	BS-304	16-14	.091/2.30	.160/4.10	.295/.315 (7.50/8.00)
192050003	CS-303	12-10	.130/3.30	.225/5.70	.295/.315 (7.50/8.00)
192050004	D-355	8	.165/4.20	.295/7.50	.360/.390 (9.14/9.91)
192050006	E-361	6	.230/5.80	.374/9.50	.430/.460 (10.92/11.68)
192050007	F-365	4	.277/7.00	.457/11.60	.500/.530 (12.70/13.46)
192050008	G-373	2	.357/9.00	.538/13.70	.635/.665 (16.13/16.89)
192050009	H-384	1/0	.439/11.20	.620/15.70	.735/.765 (18.67/19.43)
192050010	J-389	2/0	.496/12.60	.697/17.70	.725/.755 (18.42/19.18)
192150049	K-394	3/0	.545/13.80	.760/19.30	.735/.765 (18.67/19.43)
192150050	L-379	4/0	.621/15.80	.860/21.80	.760/.790 (19.30/20.07)



NOTE(S):

1. MATERIAL: COPPER
2. PLATING: ELECTRO-TIN

SALES DRAWING

REV'D "L" DIM EC NO: ETC2008-0020 DRWN:RSTONE 2007/08/17 CHKD:JMACNEIL 2007/08/20 APPR:JMACNEIL 2007/08/20	QUALITY SYMBOLS	GENERAL TOLERANCES (UNLESS SPECIFIED)		SCALE 2:1	DESIGN UNITS INCH	THIRD ANGLE PROJECTION	REVISE ON CAD ONLY	
	▼ - 0	4 PLACES ± ---	INCH ± ---	DIMENSION STYLE IN/MM		TITLE		
	▽ - 0	3 PLACES ± ---	mm ± ---	DRAWN BY DLM	DATE 03/07/08	VERSAKRIMP SEAMLESS PARALLEL CONNECTORS		
	ANGULAR ±1/2°	2 PLACES ± ---	1 PLACE ± ---	CHECKED BY HEB	DATE 03/07/08	MOLEX INCORPORATED		
REV	DRAFT WHERE APPLICABLE	MUST REMAIN WITHIN DIMENSIONS		APPROVED BY RWD	DATE 03/07/08	MATERIAL NO. (SEE CHART)	DOCUMENT NO. SD-19205-007	SHEET NO. 1 OF 1
THIS DRAWING CONTAINS INFORMATION THAT IS PROPRIETARY TO MOLEX INCORPORATED AND SHOULD NOT BE USED WITHOUT WRITTEN PERMISSION						A		